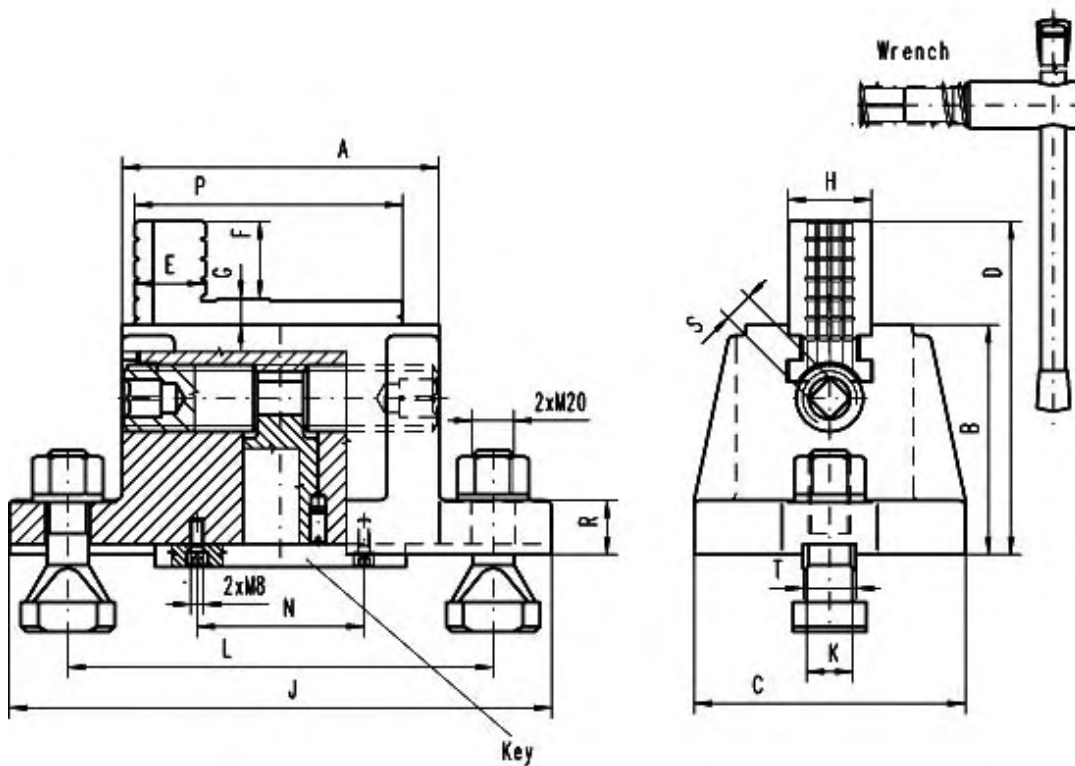
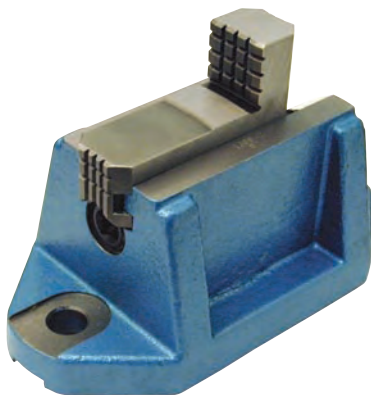


Radial T-Slot Table Face Plate Jaws

- Heavy semi-steel body.
- Hard solid reversible jaws.
- Each set of jaws is furnished with mounting bolts (M20) and a wrench.
- Sold in a 4 piece set.



Type 9170

| Jaw Size | A | B | C | D | E | F | G | H | J | K | L | N | P | R | S | T | weight 4 pc. set lbs. | Part No. |
|----------|------|------|------|-----|------|-----|-----|-------|-------|------|------|-----|------|------|------|------|-----------------------------|-----------|
| 6" | 6.00 | 4.33 | 5.12 | 6.5 | 1.34 | 1.5 | .50 | 1.575 | 10.25 | .866 | 8.0 | 8.0 | 5.00 | 1.00 | .551 | 1.00 | 57 | 7-824-006 |
| 8" | 8.00 | | 5.5 | 7.0 | 1.5 | | .85 | 2.047 | 12.2 | | 10.0 | | 6.00 | | .669 | | 69 | 7-824-008 |