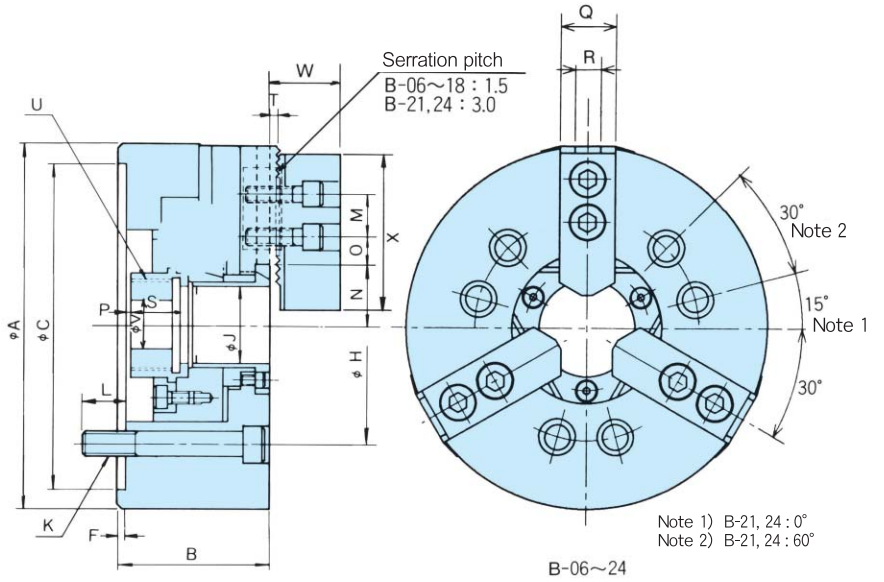
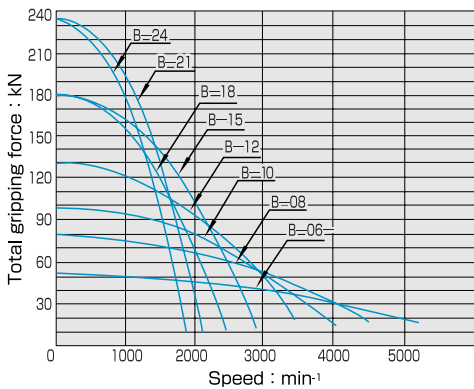


B

Dimensional Drawings

Gripping Characteristic Graphs B



Dimensions

Dimensions Model	A	B	C (H6)	F	H	J	K	L	M	N max.	N min.	O max.	O min.	P max.	P min.	Q	R	S	T	U max.	V	W	X
B-06	165	83	140	5	104.8	33	6-M10	14	20	27.5	24.75	25.75	10.75	10	-2	31	12	24	4	M42x1.5	16	35	72
B-08	210	91	170	5	133.4	46	6-M12	20	25	35.7	32	31.25	13.25	3	-13	35	14	30	5	M55x2.0	30	42	95
B-10	254	100	220	5	171.4	65	6-M16	23	30	50	45.6	32.25	12.75	-25	-6	40	16	35	5	M75x2.0	45	46	110
B-12	304	110	220	6	171.4	78	6-M16	23	30	58	52.7	48.75	12.75	8	-15	50	18	38	5	M88x2.0	50	54	129
B-15	381	133	300	6	235.0	117.5	6-M20	30	43	82	76.7	43.75	18.25	11	-12	62	22	39	5	M130x2.0	60	70	165
B-18	450	133	380	6	235.0	117.5	6-M20	30	43	82	76.7	78.25	18.25	11	-12	62	22	39	5	M130x2.0	60	70	165
B-21	530	140	380	6	330.2	140	6-M22	31	60	98.5	93.2	87.5	21.5	11	-12	65	25	39	5	M155x3.0	80	73	180
B-24	610	149	380	6	330.2	165	6-M22	32	60	108	102.7	117.5	21.5	20	-3	65	25	40	5	M175x3.0	80	73	180

※Blank draw nut equipped.

Specifications

Specifications Model	Thru-Hole mm	Gripping range mm Max.	Gripping range mm Min.	Jaw Stroke (diameter) mm	Plunger Stroke mm	Max. Draw Bar Pull Force kN (kgf)	Max. Gripping Force kN (kgf)	Max. Speed min⁻¹ (r.p.m.)	Net Weight with Soft top jaws kg	Moment of inertia kg·m²	Matching Cylinder	Max. pressure MPa (kgf/cm²)	Matching Hard top jaw	Matching Soft top jaw
B-06	33	165	13	5.5	12	20 (2039)	51 (5200)	5000	14	0.05	F1236H	2.2 (22.4)	HB06B1	SB06B1
B-08	46	210	13	7.4	16	31 (3161)	78 (7954)	4000	25	0.143	F1546H	2.2 (22.4)	HB08A1	SB08B1
B-10	65	254	25	8.8	19	38 (3875)	99 (10095)	3500	38	0.330	F1768H	2.3 (23.5)	HB10A1	SB10B1
B-12	78	304	19	10.6	23	49 (4997)	129 (13154)	3000	63	0.758	F2078H	2.3 (23.5)	HB12B1	SB12A1
B-15	117.5	381	30	10.6	23	71 (7240)	180 (18355)	2500	120	2.273	F2511H	2.3 (23.5)	HB15A1	SB15C1
B-18	117.5	450	30	10.6	23	71 (7240)	180 (18355)	2000	164	4.451	F2511H	2.3 (23.5)	HB15A1	SB15C1
B-21	140	530	87	10.6	23	90 (9177)	234 (23861)	1700	235	8.95	F2511H	3.0 (30.6)	HB18B2	SB18A2
B-24	165	610	109	10.6	23	90 (9177)	234 (23861)	1400	293	16.60	F2511H	3.0 (30.6)	HB18B2	SB18A2