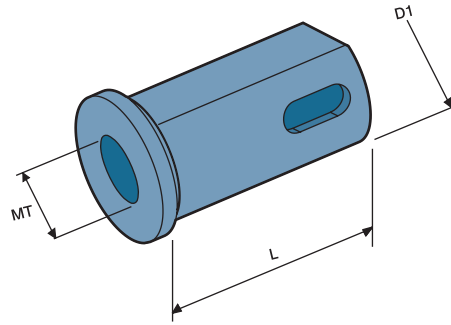




# Reducing Sleeves



RS-MT, TE TYPE ✕ ORDER MADE, NOT REFUNDABLE.

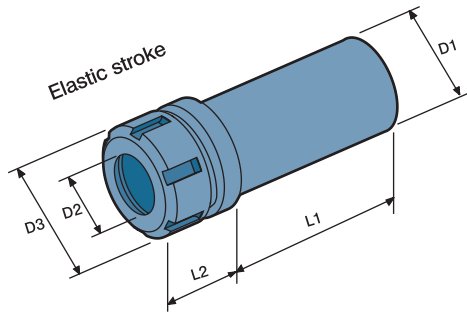


## RS-MT

- Tool holders with morse taper according to DIN 228

### DIMENSIONS

D1	L	MT				
		1	2	3	4	
32	60	E32-MT1	E32-MT2	E32-MT3		ORDER NO.
		5006-410	5006-411	5006-412		CODE NO.
40	70	E40-MT1	E40-MT2	E40-MT3	E40-MT4	ORDER NO.
		5006-414	5006-415	5006-416	5006-417	CODE NO.
50	85	E50-MT1	E50-MT2	E50-MT3	E50-MT4	ORDER NO.
		5006-418	5006-419	5006-420	5006-421	CODE NO.



## TE

- Auto taper with cylindric shaft
- To be used for collet DIN 6499

### DIMENSIONS

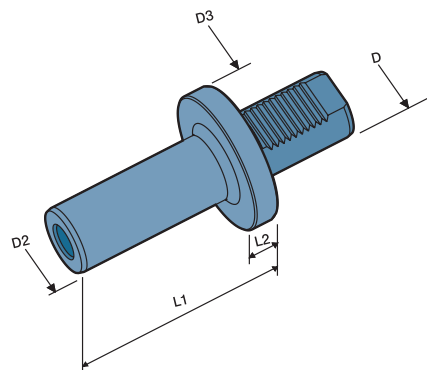
ORDER NO.	D1	D2		D3	L1	L2	CODE NO.
TE25-ER16	25	1-10	M3-M12	ER16 32	70.5	30	5006-430
TE32-ER20	32	2-13	M3-M16	ER20 35	65	40	5006-431
TE40-ER25	40	2-16	M4-M20	ER25 42	75	43	5006-432
TE50-ER32	50	3-20	M6-M24	ER32 50	85	48	5006-433



# Test Mandrel

TB1 TYPE

DIN 69880



### DIMENSIONS

ORDER NO.	D DIN 69880	D2	D3	L1	L2	CODE NO.
TB1-30	30	30	68	115	15	5006-434
TB1-40	40	40	83	115	15	5006-435
TB1-50	50	50	98	115	15	5006-436

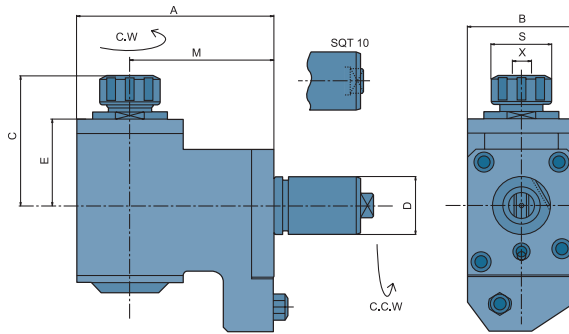


# H Type Milling & Drilling Head



MAZAK SUPER QUICK TURN TYPE

FOR 1ST SPINDLE



- External coolant supply
- Collet is not included
- To be used for collet DIN 6499

## DIMENSIONS

ORDER NO.	Machine Type	D	X Capacity	S	Maximum R.P.M.	A	B	C	E	M	CODE NO.
SQT 10-HMD25	SQT10M-12D 15M-16D SQT200M-16D 250M-16D	40	1-16 ER25	42	5000	135	75	90	60	100	5006-440
SQT 15/18-HMD25	SQT15M-12D 18M-12D SQT200M-12D 250M-12D	40	1-16 ER25	42	5000	165	80	92	60	130	5006-441
SQT 15/18-HMD32			2-20 ER32	50	5000	165	80	96	60	130	5006-442

## H Type Tapping Head

DIMENSIONS ※ ORDER MADE, NOT REFUNDABLE.

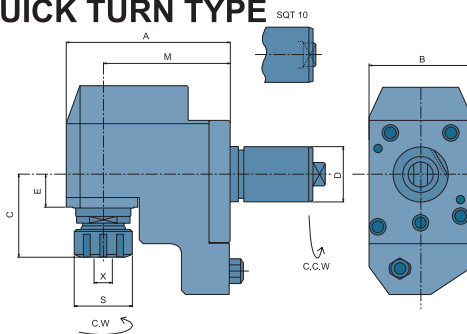
ORDER NO.	Machine Type	D	X Capacity	S	Maximum R.P.M.	A	B	C	E	M	CODE NO.
SQT 10-HT16	SQT10M-12D 15M-16D SQT200M-16D 250M-16D	40	1-10 ER16	30	3000	135	75	98	60	100	5006-443
SQT 15/18-HT20	SQT15M-12D 18M-12D SQT200M-12D 250M-12D	40	1-13 ER20	35	3000	165	80	108	60	130	5006-444



# H Type Back Milling & Drilling Head

MAZAK SUPER QUICK TURN TYPE

FOR 2ND SPINDLE



- External coolant supply
- Collet is not included
- To be used for collet DIN 6499

## DIMENSIONS

ORDER NO.	Machine Type	D	X Capacity	S	Maximum R.P.M.	A	B	C	E	M	CODE NO.
SQT 10-HBMD25	SQT10M-12D 15M-16D SQT200M-16D 250M-16D	40	1-16 ER25	42	5000	135	76	43	14	100	5006-450
SQT 15/18-HBMD25	SQT15M-12D 18M-12D SQT200M-12D 250M-12D	40	1-16 ER25	42	5000	165	76	46	13	130	5006-451
SQT 15/18-HBMD32			2-20 ER32	50	5000	165	76	48	13	130	5006-452

## H Type Tapping Head

DIMENSIONS

ORDER NO.	Machine Type	D	X Capacity	S	Maximum R.P.M.	A	B	C	E	M	CODE NO.
SQT 10-HBT16	SQT10M-12D 15M-16D SQT200M-16D 250M-16D	40	1-10 ER16	30	3000	135	76	51	13	100	5006-454
SQT 15/18-HBT20	SQT15M-12D 18M-12D SQT200M-12D 250M-12D	40	1-13 ER20	30	3000	165	76	79	13	130	5006-455

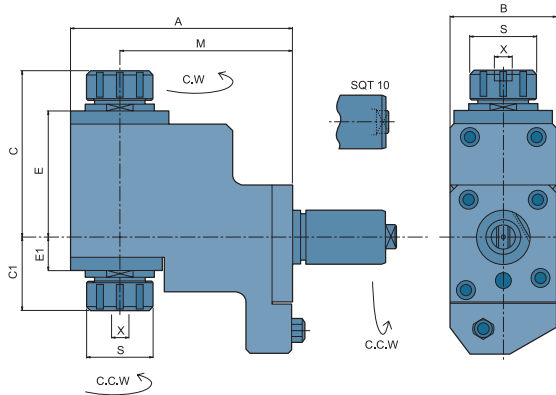


# H Type Milling & Drilling Head



MAZAK SUPER QUICK TURN TYPE FOR 1ST AND 2ND SPINDLE

**NEW**



- External coolant supply
- Collet is not included
- To be used for collet DIN 6499

## DIMENSIONS

ORDER NO.	Machine Type	D	X Capacity	S	Maximum R.P.M.	A	B	C	C1	E	E1	M	CODE NO.
SQT 10-HMD2025	SQT10M-12D 15M-16D SQT200M-16D 250M-16D	40	1st-ER25 2nd-ER20	42 35	4000	135	75	96	77.5	59	50	100	5006-456
SQT 15/18-HMD232	SQT15M-12D 18M-12D SQT200M-12D 250M-12D	40	2-20 ER32	42	4000	167	80	128	58	89	19	130	5006-457



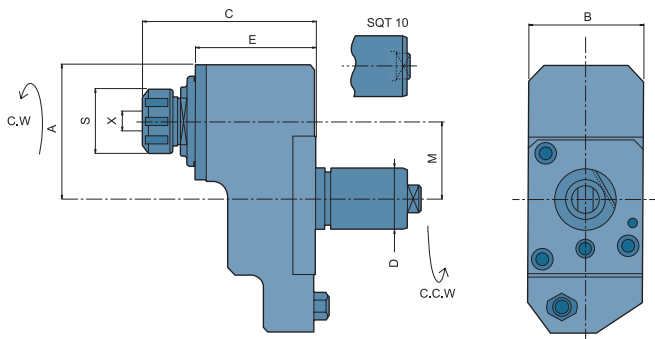
# V Type Milling & Drilling Head

MAZAK SUPER QUICK TURN TYPE

※ ORDER MADE, NOT REFUNDABLE.

OFFSET

**NEW**



- External coolant supply
- Collet is not included
- To be used for collet DIN 6499

## DIMENSIONS

※ 1:2 Speed boost

ORDER NO.	Machine Type	D	X Capacity	S	Maximum R.P.M.	A	B	C	E	M	CODE NO.
SQT 10-VMD25	SQT10M-12D 15M-16D SQT200M-16D 250M-16D	40	1-16 ER25	42	5000	88	75	120	82	50	5006-460
SQT 15/18-VMD25F			1-16 ER25	42	5000	89	80	122	84	50	5006-461
SQT 15/18-VMD25F-1	SQT15M-12D 18M-12D SQT200M-12D 250M-12D	40	1-16 ER25	42	(1:2) 7000	89	75	118	84	50	※ 5006-462
SQT 15/18-VMD32			2-20 ER32	50	5000	89	80	125.5	84	50	5006-463

# V Type Tapping Head

## DIMENSIONS

ORDER NO.	Machine Type	D	X Capacity	S	Maximum R.P.M.	A	B	C	E	M	CODE NO.
SQT 10-VT16F	SQT10M-12D 15M-16D SQT200M-16D 250M-16D	40	1-10 ER16	30	4000	88	75	119	81.5	50	5006-464
SQT 15/18-VT20F	SQT15M-12D 18M-12D SQT200M-12D 250M-12D	40	1-13 ER20	30	4000	89	80	123	84	50	5006-465

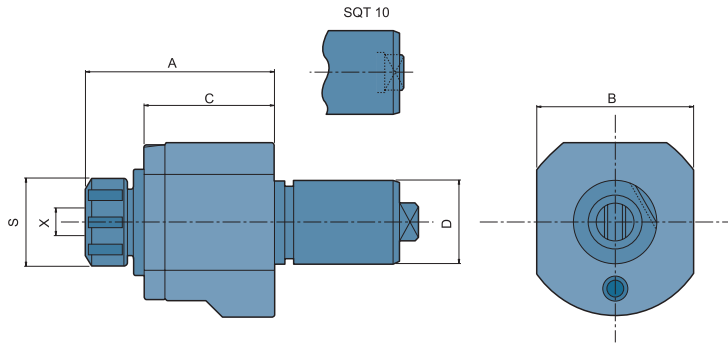


# V Type Milling & Drilling Head



MAZAK SUPER QUICK TURN TYPE

DA-SERIES



- External coolant supply
- Collet is not included
- To be used for collet DIN 6499

## DIMENSIONS

ORDER NO.	Machine Type	D	X Capacity	S	Maximum R.P.M.	A	B	C	CODE NO.
SQT 10-VMD25DA	SQT10M-12D 15M-16D SQT200M-16D 250M-16D	40	1-16 ER25	42	6000	93	75	62.5	5006-466
SQT 15/18-VMD32DA	SQT15M-12D 18M-12D SQT200M-12D 250M-12D	40	2-20 ER32	50	6000	119.5	80	82.5	5006-467

# V Type Tapping Head

※ ORDER MADE, NOT REFUNDABLE.

## DIMENSIONS

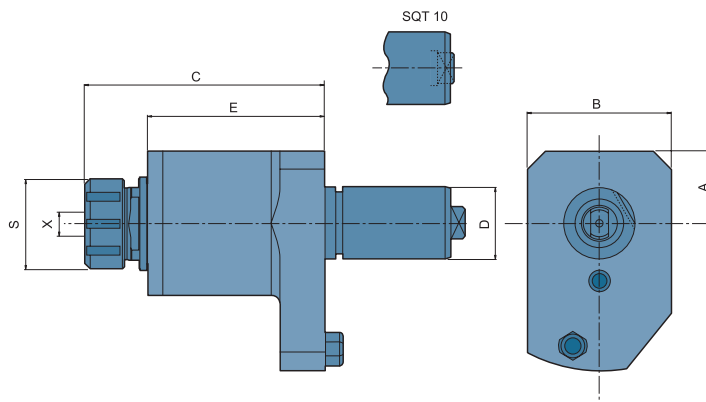
ORDER NO.	Machine Type	D	X Capacity	S	Maximum R.P.M.	A	B	C	CODE NO.
SQT 10-VT16DA	SQT10M-12D 15M-16D SQT200M-16D 250M-16D	40	1-10 ER16	30	4000	100	75	62.5	5006-468
SQT 15/18-VT20DA	SQT15M-12D 18M-12D SQT200M-12D 250M-12D	40	1-13 ER20	35	4000	127	80	82.5	5006-469



# V Type Milling & Drilling Head

MAZAK SUPER QUICK TURN TYPE

DA-SERIES, LONG



- External coolant supply
- Collet is not included
- To be used for collet DIN 6499

## DIMENSIONS

ORDER NO.	Machine Type	D	X Capacity	S	Maximum R.P.M.	A	B	C	E	CODE NO.
SQT 15/18-VMD32L	SQT15M-12D 18M-12D SQT200M-12D 250M-12D	40	2-20 ER32	50	6000	40	80	119.5	82.5	5006-470
						40	80	133.5	98.5	5006-471

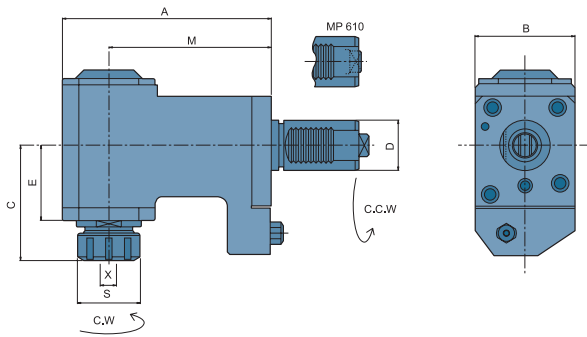


# V Type Milling & Drilling Head



MAZAK MULTIPLEX TYPE

※ORDER MADE, NOT REFUNDABLE.



- External coolant supply
- Collet is not included
- To be used for collet DIN 6499

## DIMENSIONS

※ 1:2 Speed boost

ORDER NO.	Machine Type	D	X Capacity	S	Maximum R.P.M.	A	B	C	E	M	CODE NO.
MP 610-HMD25	MP410N-12D 415N-12D MP610-12D 6200-16D	40	1-16 ER25	42	5000	150	75	80.5	50	115	5006-475
MP 620-HMD25	MP420N-12D 620N-12D MP620-12D 6200-16D	40	1-16 ER25	42	5000	165	80	80.5	50	130	5006-476
MP 620-HMD32			2-20 ER32	50	5000	165	80	82.5	50	130	5006-477
MP 620-HMD32-2			2-20 ER32	50	(1:2) 7000	169	88	103	68	130	※ 5006-478

## H Type Tapping Head

## DIMENSIONS

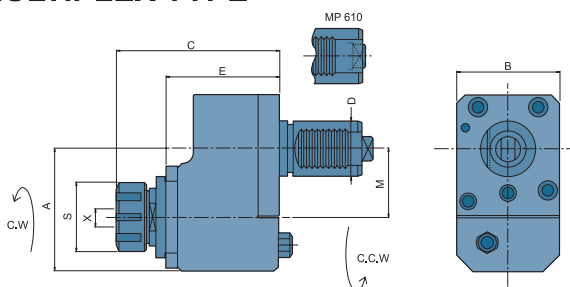
ORDER NO.	Machine Type	D	X Capacity	S	Maximum R.P.M.	A	B	C	E	M	CODE NO.
MP 610-HT16	MP410N-12D 415N-12D MP610-12D 6200-16D	40	1-10 ER16	30	3000	150	75	87.5	50	115	5006-479
MP 620-HT20	MP420N-12D 620N-12D MP620-12D 6200-16D	40	1-13 ER20	30	3000	165	80	115.5	56	130	5006-480



# V Type Milling & Drilling Head

MAZAK MULTIPLEX TYPE

OFFSET



- External coolant supply
- Collet is not included
- To be used for collet DIN 6499

## DIMENSIONS

ORDER NO.	Machine Type	D	X Capacity	S	Maximum R.P.M.	A	B	C	E	M	CODE NO.
MP 610-VMD25F	MP410N-12D 415N-12D MP610-12D 6200-16D	40	1-16 ER25	42	5000	89	75	122	84	50	5006-481
MP 620-VMD16F	MP420N-12D 620N-12D MP620-12D 6200-16D	40	1-16 ER25	42	5000	89	80	122	84	50	5006-482
MP 620-VMD32F			2-20 ER32	50	5000	89	80	125.5	84	50	5006-483

## V Type Tapping Head

## DIMENSIONS

ORDER NO.	Machine Type	D	X Capacity	S	Maximum R.P.M.	A	B	C	E	M	CODE NO.
MP 610-VT16F	MP410N-12D 415N-12D MP610-12D 6200-16D	40	1-10 ER16	30	4000	89	75	122	82.5	50	5006-484
MP 620-VT20F	MP420N-12D 620N-12D MP620-12D 6200-16D	40	1-13 ER20	35	4000	89	80	123.5	84	50	5006-485

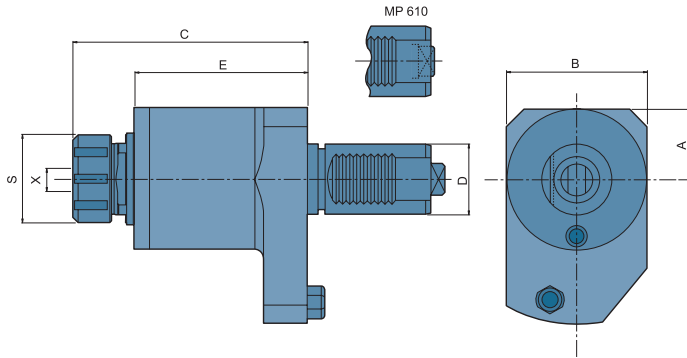


# V Type Milling & Drilling Head



MAZAK MULTIPLEX TYPE

DA-SERIES



- External coolant supply
- Collet is not included
- To be used for collet DIN 6499

## DIMENSIONS

ORDER NO.	Machine Type	D	X Capacity	S	Maximum R.P.M.	A	B	C	E	CODE NO.
MP 610-VMD25DA	MP410N-12D 415N-12D MP610-12D 6200-16D	40	1-16 ER25	42	6000	39	75	108	74	5006-486
MP 620-VMD25DA	MP420N-12D 620N-12D MP620-12D 6200-16D	40	1-16 ER25	42	6000	40	80	119	82.6	5006-487
MP 620-VMD32DA			2-20 ER32	50	6000	40	80	120	82.6	5006-488

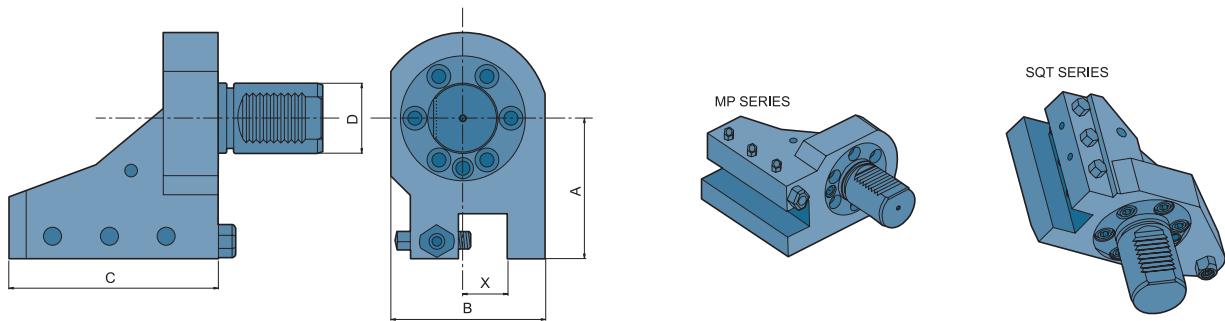
VDI



# Forward Turning Holder - RH

MAZAK SUPER QUICK TURN & MULTIPLEX TYPE

✕ORDER MADE, NOT REFUNDABLE.



## DIMENSIONS

ORDER NO.	Machine Type	D		X	A	B	C	CODE NO.
SQT 10M/15AM-FTRH-M	SQT-10M/15AM	40	mm	20	66	79	100	5006-490
SQT 10M/15AM-FTRH-I			inch	0.75"	2.6"	3.1"	3.937"	5006-491
SQT 15M/18M-FTRH-M	SQT-15M/18M	40	mm	25	78	92	120	5006-492
SQT 15M/18M-FTRH-I			inch	1"	3.071"	3.622"	4.724"	5006-493
MP 610N/615N-FTRH-M	MP-610N/615N	40	mm	20	85	76	100	5006-496
MP 410N/415N-FTRH-I	MP-410N/415N		inch	0.75"	3.347"	3"	3.937"	5006-497
MP 620N/625N-FTRH-M	MP-620N/625N	40	mm	25	83	92	120	5006-498
MP 420N-FTRH-I	MP-420N		inch	1"	3.268"	3.622"	4.724"	5006-499



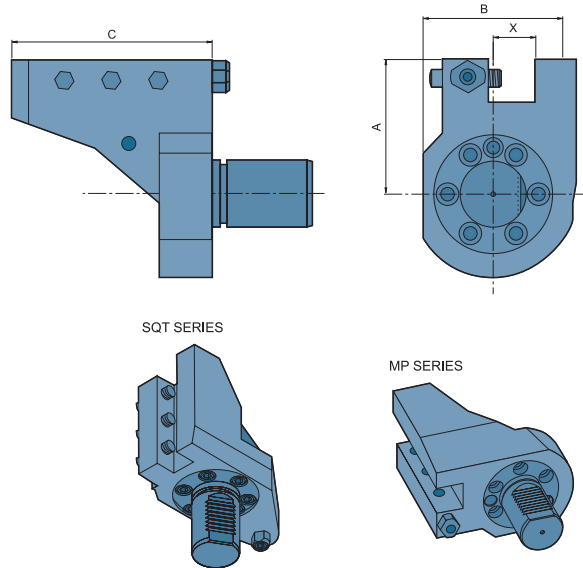


# Reverse Turning Holder - LH



MAZAK SUPER QUICK TURN & MULTIPLEX TYPE ※ORDER MADE, NOT REFUNDABLE.

**NEW**



## DIMENSIONS

ORDER NO.	Machine Type	D		X	A	B	C	CODE NO.
SQT 10M/15AM-RTLH-M	SQT-10M/15AM	40	mm	20	66	76	100	5006-502
SQT 10M/15AM-RTLH-I			inch	0.75zz	2.6"	3"	3.937"	5006-503
SQT 15M/18M-RTLH-M	SQT-15M/18M	40	mm	25	78	92	120	5006-504
SQT 15M/18M-RTLH-I			inch	1"	3.071"	3.622"	4.724"	5006-505
SQT 28M/30M-RTLH-M	SQT-28M/30M	50	mm	25	80	94	160	5006-506
SQT 28M/30M-RTLH-I			inch	1"	3.15"	3.7"	6.3"	5006-507
MP 610N/615N-RTLH-M	MP-610N/615N	40	mm	20	85	76	100	5006-508
MP 410N/415N-RTLH-I	MP-410N/415N		inch	0.75"	3.347"	3"	3.937"	5006-509
MP 620N/625N-RTLH-M	MP-620N/625N	40	mm	25	83	92	120	5006-510
MP 420N-RTLH-I	MP-420N		inch	1"	3.268"	3.622"	4.724"	5006-511

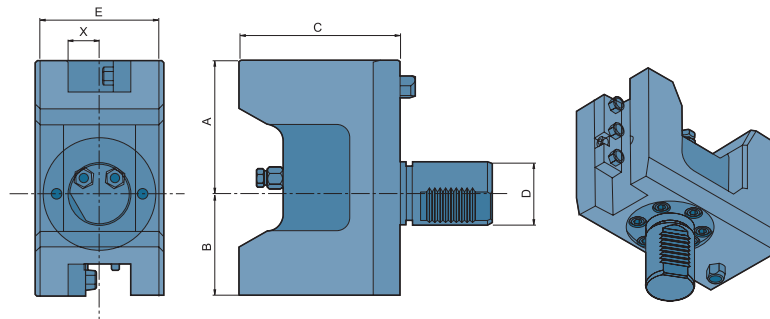
※ ON REQUEST



# Double Turning Holder

MAZAK SUPER QUICK TURN TYPE

**NEW**



## DIMENSIONS

ORDER NO.	Machine Type	D		X	A	B	C	E	CODE NO.
SQT 10M/15AM-DT-M	SQT-10M/15AM	40	mm	20	85	65	103	81	5006-514
SQT 10M/15AM-DT-I			inch	0.75"	3.347"	2.559"	4.055"	3.189"	5006-515
SQT 15M/18M-DT-M	SQT-15M/18M	40	mm	25	88	78	136	100	5006-516
SQT 15M/18M-DT-I			inch	1"	3.465"	3.071"	5.354"	3.937"	5006-517

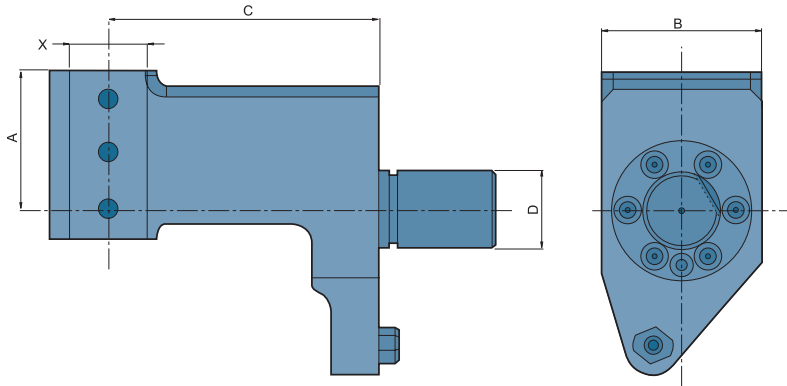


# Boring Bar Holder

MAZAK SUPER QUICK TURN TYPE



※ORDER MADE, NOT REFUNDABLE.



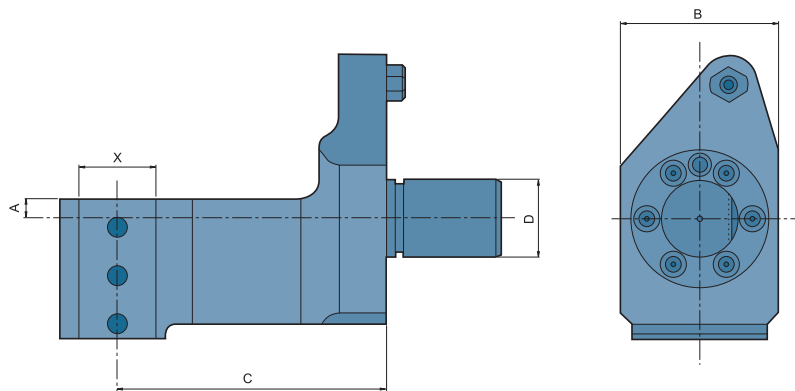
## DIMENSIONS

ORDER NO.	Machine Type	D		X	A	B	C	CODE NO.
SQT 10M/15AM-B-M	SQT-10M/15AM	40	mm	32	55.5	76	110	5006-520
SQT 10M/15AM-B-I			inch	1.25"	2.185"	2.992"	4.331"	5006-521
SQT 15M/18M-B-M	SQT-15M/18M	40	mm	40	71	82	140	5006-522
SQT 15M/18M-B-I			inch	1.5"	2.795"	3.228"	5.512"	5006-523
SQT 28M/30M-B-M	SQT-28M/30M	50	mm	50	65	94	175	5006-524
SQT 28M/30AM-B-I			inch	2"	2.559"	3.7"	6.890"	5006-525



# Boring Bar Holder

MAZAK MULTIPLEX TYPE



## DIMENSIONS

ORDER NO.	Machine Type	D		X	A	B	C	CODE NO.
MP-610N-B-A	MP-610N	40	mm	25	55.5	76	120	5006-526
MP-610N-B-B			inch	1"	0.197"	2.997"	4.724"	5006-527
MP-610N-B-C			mm	32	10	76	120	5006-528
MP-610N-B-D			inch	1.25"	0.394"	2.997"	4.724"	5006-529
MP-615N-B-A	MP-615N	40	mm	25	10	76	130	5006-530
MP-615N-B-B			inch	1"	0.394"	2.997"	5.118"	5006-531
MP-615N-B-C			mm	32	10	76	130	5006-532
MP-615N-B-D			inch	1.25"	0.394"	2.997"	5.118"	5006-533
MP-620N-B-A	MP-620N	40	mm	25	5	62	140	5006-534
MP-620N-B-B			inch	1"	0.197"	3.228"	5.512"	5006-535
MP-620N-B-C			mm	40	10	82	140	5006-536
MP-620N-B-D			inch	1.5"	0.394"	3.228"	5.512"	5006-537





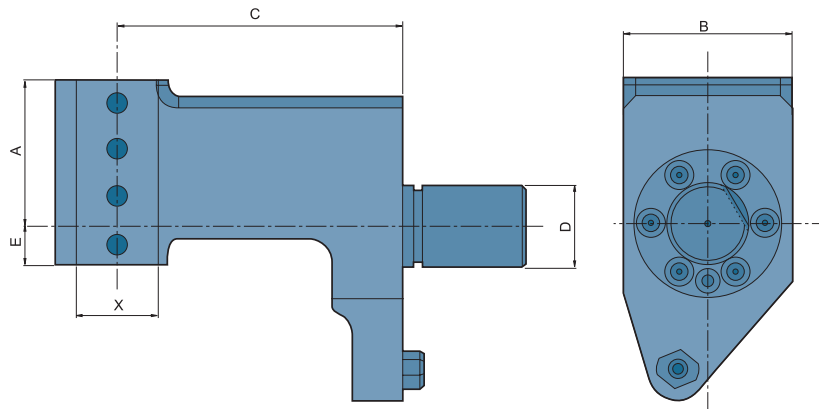
# Double Boring Bar Holder



MAZAK SUPER QUICK TURN TYPE

✂ORDER MADE, NOT REFUNDABLE.

**NEW**



## DIMENSIONS

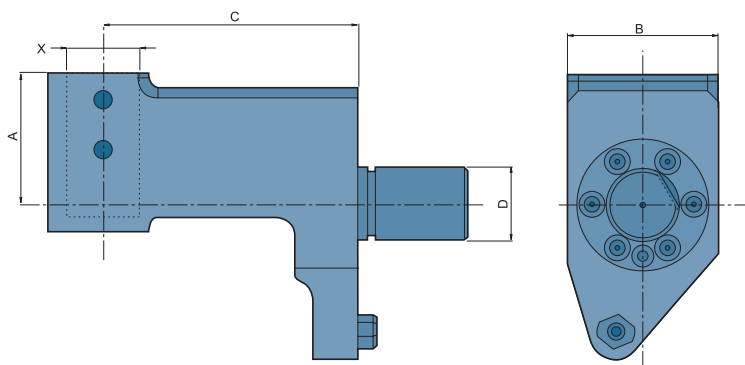
ORDER NO.	Machine Type	D		X	A	B	C	E	CODE NO.
SQT 10M/15AM-DB-M	SQT-10M/15AM	40	mm	20	55.5	76	110	14.5	5006-540
SQT 10M/15AM-DB-I			inch	0.75"	2.185"	3"	4.331"	0.57"	5006-541
SQT 15M/18M-DB-M	SQT-15M/18M	40	mm	25	85	82	140	16	5006-542
SQT 15M/18M-DB-I			inch	1"	3.346"	3.228"	5.512"	0.629"	5006-543
SQT 28M/30M-DB-M	SQT-28M/30M	50	mm	32	75	94	175	35	5006-544
SQT 28M/30M-DB-I			inch	1.25"	2.953"	3.543"	7.087"	1.378"	5006-545



# U Drill Holder

MAZAK SUPER QUICK TURN TYPE

**NEW**



● External, internal coolant supply

## DIMENSIONS

ORDER NO.	Machine Type	D		X	A	B	C	CODE NO.
SQT 10M/15AM-UD-M	SQT-10M/15AM	40	mm	32	48	76	110	5006-550
SQT 10M/15AM-UD-I			inch	1.25"	1.890"	2.992"	4.331"	5006-551
SQT 15M/18M-UD-M	SQT-15M/18M	40	mm	40	63	82	140	5006-552
SQT 15M/18M-UD-I			inch	1.5"	2.480"	3.228"	5.512"	5006-553



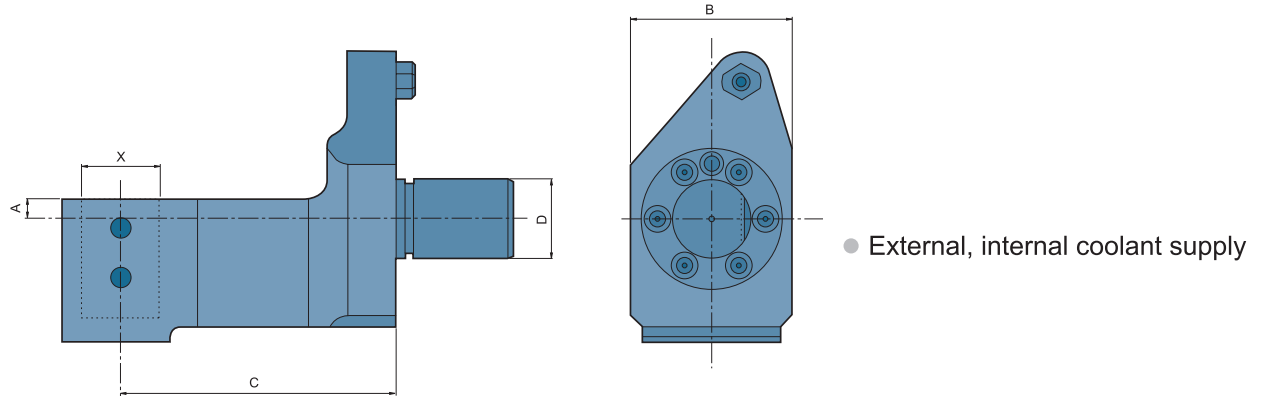
# U Drill Holder

MAZAK MULTIPLEX TYPE



✂ORDER MADE, NOT REFUNDABLE.

**NEW**



## DIMENSIONS

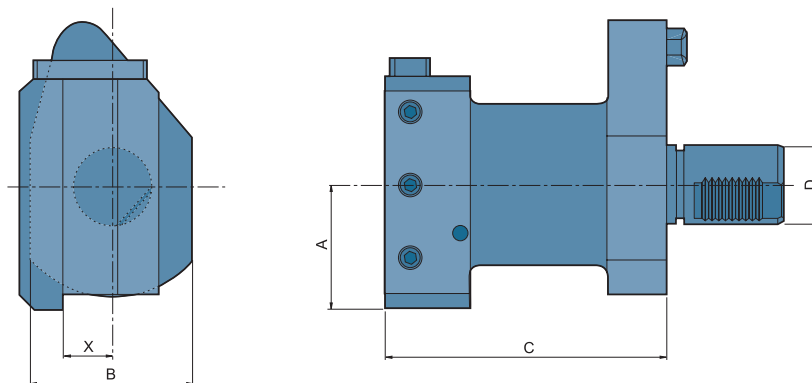
ORDER NO.	Machine Type	D		X	A	B	C	CODE NO.
MP-610-UD-M	MP-610	40	mm	25	10	76	120	5006-560
MP-610-UD-I			inch	-	0.394"	2.992"	4.724"	5006-561
MP-620-UD-M	MP-620	40	mm	40	10	82	140	5006-562
MP-620-UD-I			inch	-	0.394"	3.228"	5.512"	5006-563



# Facing Holder - RH

MAZAK SUPER QUICK TURN & MULTIPLEX TYPE

**NEW**



## DIMENSIONS

ORDER NO.	Machine Type	D		X	A	B	C	CODE NO.
SQT 10M/15AM-FRH-M	SQT-10M/15AM	40	mm	20	65	76	110	5006-570
SQT 10M/15AM-FRH-I			inch	0.75"	2.559"	2.992"	4.331"	5006-571
SQT 15M/18M-FRH-M	SQT-15M/18M	40	mm	25	60	82	143	5006-572
SQT 15M/18M-FRH-I			inch	1"	2.362"	3.228"	5.630"	5006-573
SQT 28M/30M-FRH-M	SQT-28M/30M	50	mm	25	57	90	163	5006-574
SQT 28M/30M-FRH-I			inch	1"	2.244"	3.543"	6.417"	5006-575
MP 610N/615N-FRH-M	MP-610N/615N	40	mm	20	65	76	110	5006-576
MP 410N/415N-FRH-I	MP-410N/415N		inch	0.75"	2.559"	2.992"	4.331"	5006-577
MP 620N/625N-FRH-M	MP-620N/625N	40	mm	25	55	82	143	5006-578
MP 420N-FRH-I	MP-420N		inch	1"	2.165"	3.228"	5.630"	5006-579