



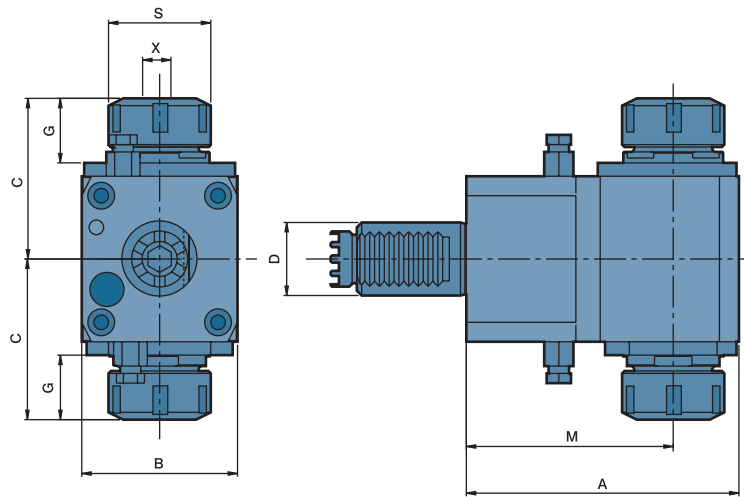
Radial Drilling And Milling Heads



DOUBLE COLLETS

SPUR COUPLING-IT TYPE

✕ ORDER MADE, NOT REFUNDABLE.



- Collet is not included
- External coolant supply
- To be used for collet DIN 6499

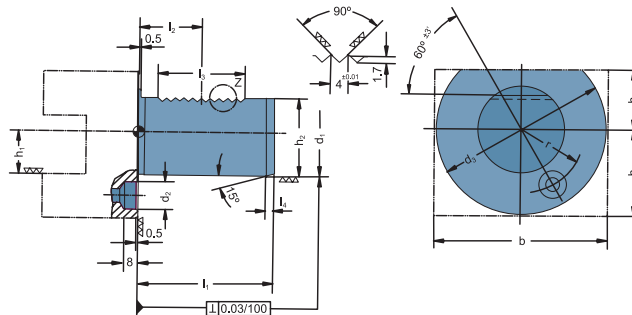
DIMENSIONS

ORDER NO.	D DIN 69880	X Capacity	S	Maximum R.P.M.	i	A	B	C	G	M	CODE NO.
DF30IT2585D	30	1-16 ER25	42	4000	1 : 1	112	64	66	26.5	85	5006-166
DF40IT3285D	40	2-20 ER32	50	4000	1 : 1	119	80	82	28	85	5006-167
DF40IT32100D	40	2-20 ER32	50	4000	1 : 1	134	80	82	28	100	5006-168

Other shank dimensions under development

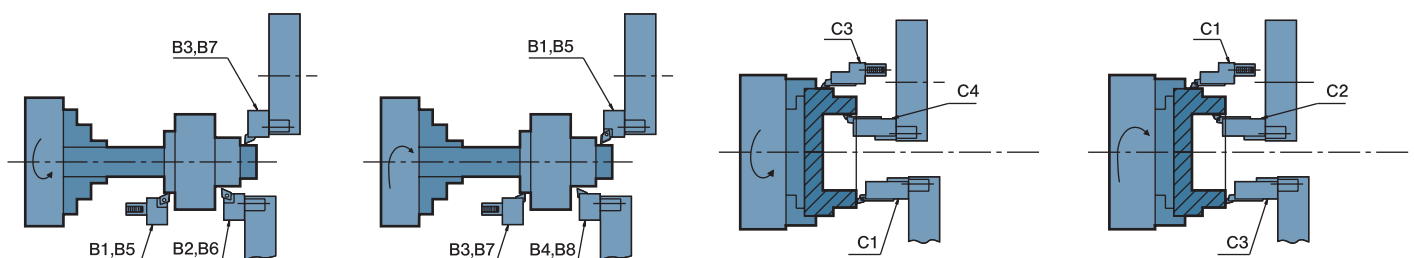


VDI Dimensional Specification of Shank DIN 69880



DIMENSIONS

d1 h6	l1 ±0.3	d2		d3	h1 max	h2 ±0.1	l2 ±0.05	l3 min	l4 +1	r4 ±0.02
20	40	10	H6	50	16	18	21.7	24	2	18
30	55	14	H9	68	20	27	29.7	40	2	25
40	63	14	H9	83	25	36	29.7	40	3	32
50	78	16	H9	98	32	45	35.7	48	3	37
60	94	16	H9	123	32	55	43.7	56	4	48





Radial Static Holders



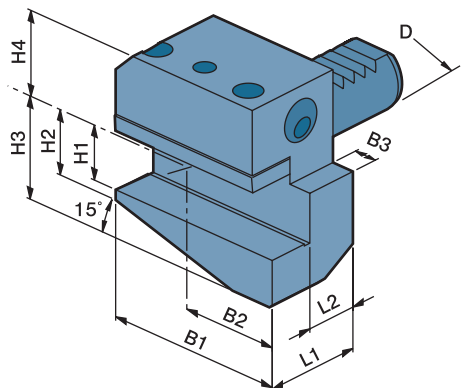
B1 B2 TYPE

✗ ORDER MADE, NOT REFUNDABLE.

DIN 69880

B1

- Short
- External Coolant Supply
- Right-hand

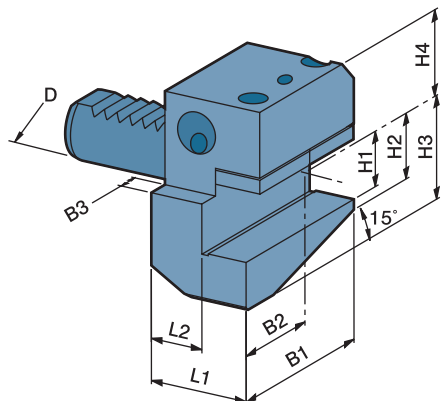


DIMENSIONS

ORDER NO.	D	B1	B2	B3	H1	H2	H3	H4	L1	L2	CODE NO.
B1-20x16	20	55	30	7	16	19	30	25	30	16	5006-180
B1-30x20	30	70	35	10	20	26	38	28	40	22	5006-181
B1-40x25	40	85	42.5	12.5	25	35	48	32.5	44	22	5006-182
B1-50x32	50	100	50	16	32	42	60	35	55	30	5006-183
B1-60x32	60	125	62.5	16	32	46	62.5	42.5	60	30	5006-184

B2

- Left-hand
- External Coolant Supply
- Short



DIMENSIONS

ORDER NO.	D	B1	B2	B3	H1	H2	H3	H4	L1	L2	CODE NO.
B2-20x16	20	55	30	7	16	19	30	25	30	16	5006-185
B2-30x20	30	70	35	10	20	26	38	28	40	22	5006-186
B2-40x25	40	85	42.5	12.5	25	35	48	32.5	44	22	5006-187
B2-50x32	50	100	50	16	32	42	60	35	55	30	5006-188
B2-60x32	60	125	62.5	16	32	46	62.5	42.5	60	30	5006-189



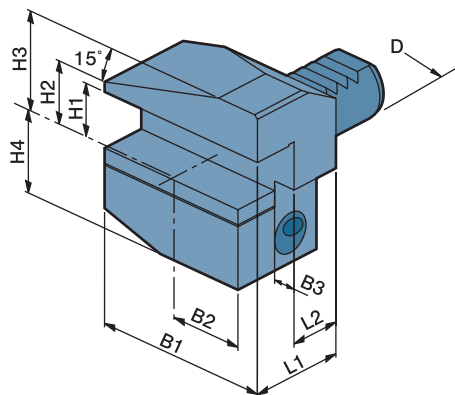
Radial Static Holders

B3 B4 TYPE

DIN 69880

B3

- Short
- External Coolant Supply
- Right-hand

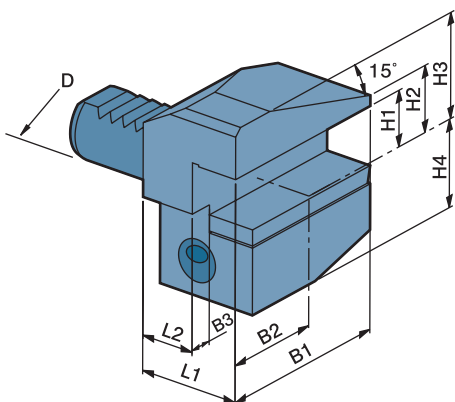


DIMENSIONS

ORDER NO.	D	B1	B2	B3	H1	H2	H3	H4	L1	L2	CODE NO.
B3-20x16	20	55	30	7	16	19	30	25	30	16	5006-190
B3-30x20	30	70	35	10	20	22	38	35	40	22	5006-191
B3-40x25	40	85	42.5	12.5	25	30	48	42.5	44	22	5006-192
B3-50x32	50	100	50	16	32	35	60	50	55	30	5006-193
B3-60x32	60	125	62.5	16	32	42.5	62.5	42.5	60	30	5006-194

B4

- Left-hand
- External Coolant Supply
- Short



DIMENSIONS

ORDER NO.	D	B1	B2	B3	H1	H2	H3	H4	L1	L2	CODE NO.
B4-20x16	20	55	30	7	16	19	30	25	30	16	5006-195
B4-30x20	30	70	35	10	20	22	38	35	40	22	5006-196
B4-40x25	40	85	42.5	12.5	25	30	48	42.5	44	22	5006-197
B4-50x32	50	100	50	16	32	35	60	50	55	30	5006-198
B4-60x32	60	125	62.5	16	32	42.5	62.5	42.5	60	30	5006-199



Radial Static Holders



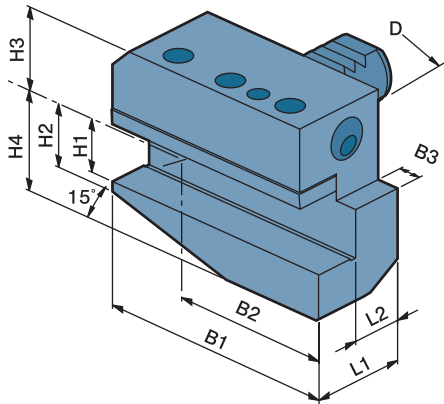
B5 B6 TYPE

✳ ORDER MADE, NOT REFUNDABLE.

DIN 69880

B5

- External Coolant Supply
- Right-hand
- Long

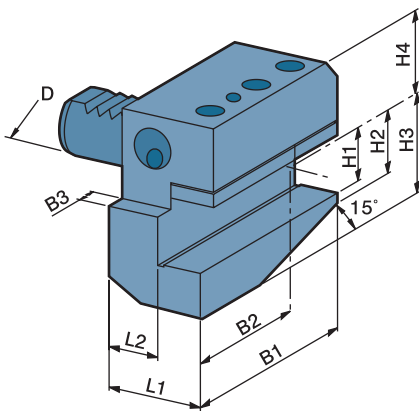


DIMENSIONS

ORDER NO.	D	B1	B2	B3	H1	H2	H3	H4	L1	L2	CODE NO.
B5-20x16	20	75	50	7	16	19	30	25	30	16	5006-200
B5-30x20	30	100	65	10	20	26	38	28	40	22	5006-201
B5-40x25	40	118	76	12.5	25	35	48	32.5	44	22	5006-202
B5-50x32	50	130	80	16	32	42	60	35	55	30	5006-203
B5-60x32	60	145	83	16	32	46	62.5	42.5	60	30	5006-204

B6

- Left-hand
- External Coolant Supply
- Long



DIMENSIONS

ORDER NO.	D	B1	B2	B3	H1	H2	H3	H4	L1	L2	CODE NO.
B6-20x16	20	75	50	7	16	19	30	25	30	16	5006-205
B6-30x20	30	100	65	10	20	26	38	28	40	22	5006-206
B6-40x25	40	118	76	12.5	25	35	48	32.5	44	22	5006-207
B6-50x32	50	130	80	16	32	42	60	35	55	30	5006-208
B6-60x32	60	145	83	16	32	46	62.5	42.5	60	30	5006-209



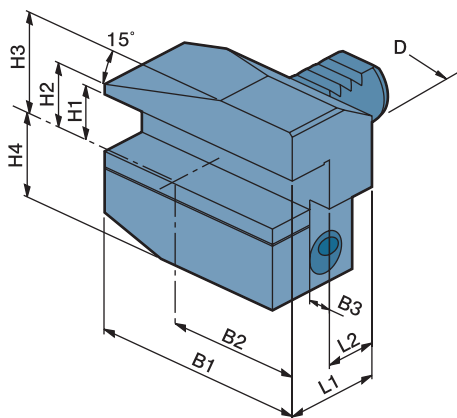
Radial Static Holders

B7 B8 TYPE

DIN 69880

B7

- External Coolant Supply
- Right-hand
- Long

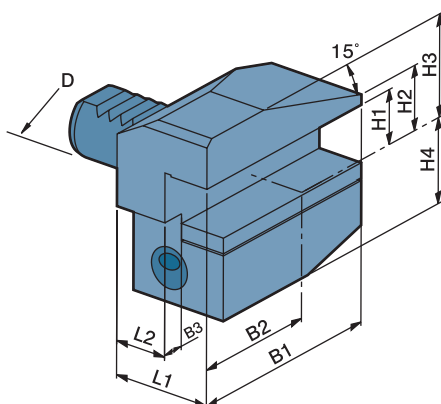


DIMENSIONS

ORDER NO.	D	B1	B2	B3	H1	H2	H3	H4	L1	L2	CODE NO.
B7-20x16	20	75	50	7	16	19	30	25	30	16	5006-210
B7-30x20	30	100	65	10	20	22	38	35	40	22	5006-211
B7-40x25	40	118	75.5	12.5	25	30	48	42.5	44	22	5006-212
B7-50x32	50	130	80	16	32	35	60	50	55	30	5006-213
B7-60x32	60	145	82.5	16	32	42.5	62.5	42.5	60	30	5006-214

B8

- Left-hand
- External Coolant Supply
- Long



DIMENSIONS

ORDER NO.	D	B1	B2	B3	H1	H2	H3	H4	L1	L2	CODE NO.
B8-20x16	20	75	50	7	16	19	30	25	30	16	5006-215
B8-30x20	30	100	65	10	20	22	38	35	40	22	5006-216
B8-40x25	40	118	75.5	12.5	25	30	48	42.5	44	22	5006-217
B8-50x32	50	130	80	16	32	35	60	50	55	30	5006-218
B8-60x32	60	145	82.5	16	32	42.5	62.5	42.5	60	30	5006-219



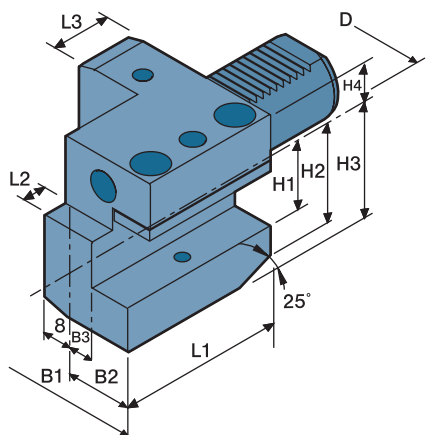
Axial Static Holders



C1 C2 TYPE

✳ ORDER MADE, NOT REFUNDABLE.

DIN 69880

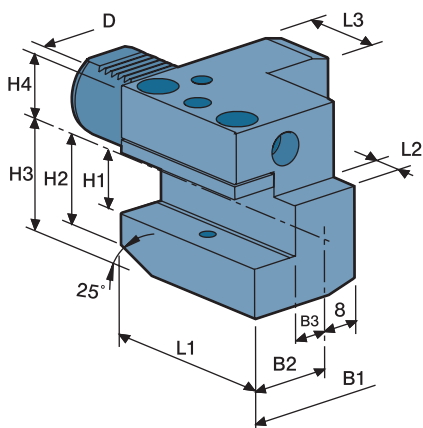


C1

- Right-hand
- External Coolant Supply

DIMENSIONS

ORDER NO.	D	B1	B2	B3	H1	H2	H3	H4	L1	L2	L3	CODE NO.
C1-20x16	20	65	40	26	16	23	30	25	50	7	30	5006-220
C1-30x20	30	70	35	17	20	28	38	28	70	10	30	5006-221
C1-40x25	40	85	42.5	21	25	-	48	32.5	85	12.5	30	5006-222
C1-50x32	50	100	50	26	32	-	60	35	100	16	40	5006-223
C1-60x32	60	125	62.5	33	32	-	62.5	42.5	125	16	40	5006-224



C2

- External Coolant Supply
- Left-hand

DIMENSIONS

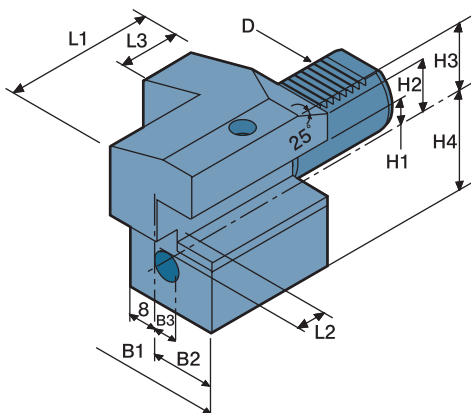
ORDER NO.	D	B1	B2	B3	H1	H2	H3	H4	L1	L2	L3	CODE NO.
C2-20x16	20	65	40	26	16	23	30	25	50	7	30	5006-225
C2-30x20	30	76	41	23	20	28	38	28	70	10	30	5006-226
C2-40x25	40	90	47.5	25.5	25	-	48	32.5	85	12.5	30	5006-227
C2-50x32	50	105	55	30.5	32	-	60	35	100	16	40	5006-228
C2-60x32	60	125	62.5	33	32	-	62.5	42.5	125	16	40	5006-229



Axial Static Holders

C3 C4 TYPE

DIN 69880

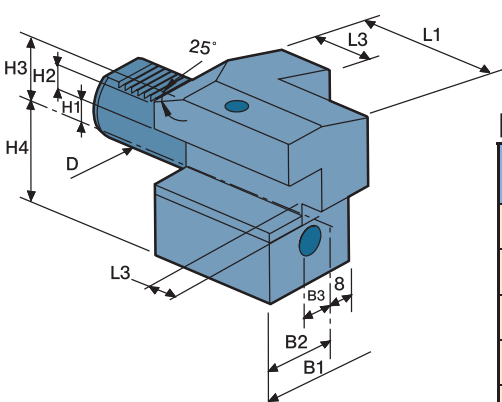


C3

- Right-hand
- External Coolant Supply

DIMENSIONS

ORDER NO.	D	B1	B2	B3	H1	H2	H3	H4	L1	L2	L3	CODE NO.
C3-20x16	20	65	40	26	16	23	30	25	50	7	30	5006-230
C3-30x20	30	70	35	17	20	28	38	35	70	10	30	5006-231
C3-40x25	40	85	42.5	21	25	-	48	42.5	85	12.5	30	5006-232
C3-50x32	50	100	50	26	32	-	60	50	100	16	40	5006-233
C3-60x32	60	125	62.5	33	32	-	62.5	62.5	125	16	40	5006-234



C4

- External Coolant Supply
- Left-hand

DIMENSIONS

ORDER NO.	D	B1	B2	B3	H1	H2	H3	H4	L1	L2	L3	CODE NO.
C4-20x16	20	65	40	26	16	23	30	25	50	7	30	5006-235
C4-30x20	30	76	41	23	20	28	38	35	70	10	30	5006-236
C4-40x25	40	90	47.5	25.5	25	-	48	42.5	85	12.5	30	5006-237
C4-50x32	50	105	55	30.5	32	-	60	50	100	16	40	5006-238
C4-60x32	60	125	62.5	33	32	-	62.5	62.5	125	16	40	5006-239



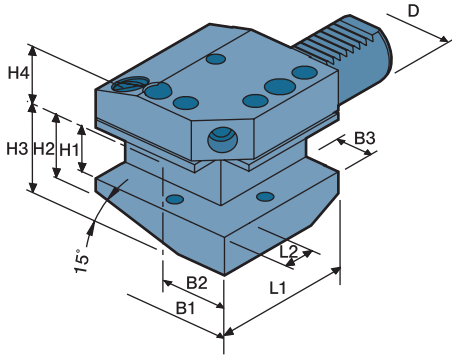
Combined Static Holders



CB1 CB2 TYPE ✕ ORDER MADE, NOT REFUNDABLE. DIN 69880

CB1

- External Coolant Supply
- Right-hand

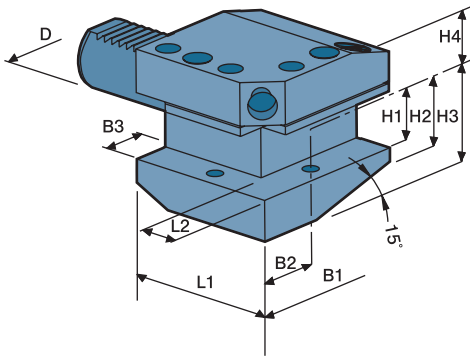


DIMENSIONS

ORDER NO.	D	B1	B2	B3	H1	H2	H3	H4	L1	L2	CODE NO.
CB1-20x16	20	65	40	14	16	19	30	25	50	14	5006-240
CB1-30x20	30	74	40	18	20	26	38	28	70	18	5006-241
CB1-40x25	40	85	45	22	25	35	48	32.5	100	22	5006-242
CB1-50x32	50	105	55	25	32	42	60	35	120	25	5006-243
CB1-60x32	60	125	62.5	30	32	46	62.5	42.5	135	30	5006-244

CB2

- Left-hand
- External Coolant Supply



DIMENSIONS

ORDER NO.	D	B1	B2	B3	H1	H2	H3	H4	L1	L2	CODE NO.
CB2-20x16	20	65	40	14	16	19	30	25	50	14	5006-245
CB2-30x20	30	74	40	18	20	26	38	28	70	18	5006-246
CB2-40x25	40	85	47	22	25	35	48	32.5	100	22	5006-247
CB2-50x32	50	105	55	25	32	42	60	35	120	25	5006-248
CB2-60x32	60	125	62.5	30	32	46	62.5	42.5	135	30	5006-249



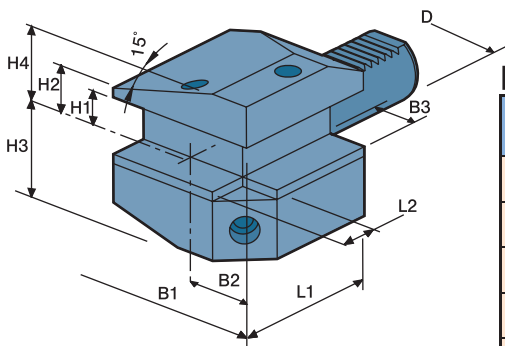
Combined Static Holders

CB3 CB4 TYPE

DIN 69880

CB3

- External Coolant Supply
- Right-hand

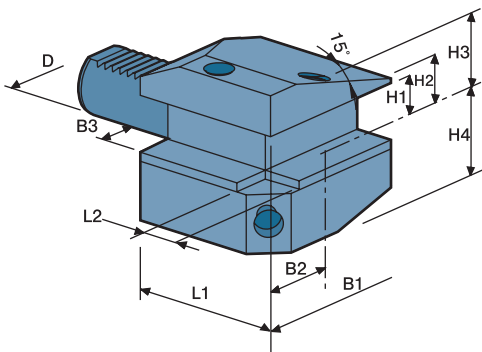


DIMENSIONS

ORDER NO.	D	B1	B2	B3	H1	H2	H3	H4	L1	L2	CODE NO.
CB3-20x16	20	65	40	14	16	19	25	30	50	14	5006-250
CB3-30x20	30	74	40	18	20	22	38	28	70	18	5006-251
CB3-40x25	40	85	45	22	25	30	48	32.5	100	22	5006-252
CB3-50x32	50	105	55	25	32	35	50	60	120	25	5006-253
CB3-60x32	60	125	62.5	30	32	42.5	62.5	62.5	135	30	5006-254

CB4

- Left-hand
- External Coolant Supply



DIMENSIONS

ORDER NO.	D	B1	B2	B3	H1	H2	H3	H4	L1	L2	CODE NO.
CB4-20x16	20	65	40	14	16	19	30	25	50	14	5006-255
CB4-30x20	30	74	40	18	20	22	28	38	70	18	5006-256
CB4-40x25	40	85	47	22	25	30	32.5	48	100	22	5006-257
CB4-50x32	50	105	55	25	32	35	60	50	120	25	5006-258
CB4-60x32	60	125	62.5	30	32	42.5	62.5	62.5	135	30	5006-259



Combined Static Holders



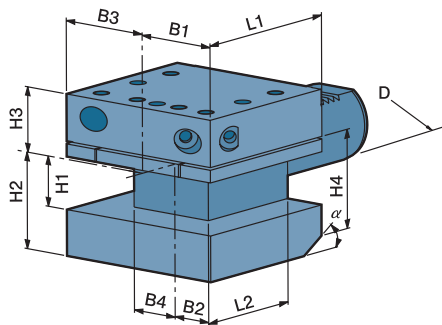
D1 D2 TYPE

✳ ORDER MADE, NOT REFUNDABLE.

DIN 69880

D1

- Right-hand
- External Coolant Supply

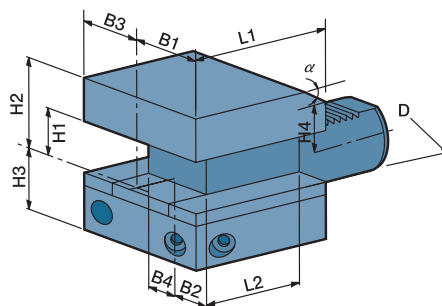


DIMENSIONS

ORDER NO.	D	B1	B2	B3	B4	H1	H2	H3	H4	L1	L2	α	CODE NO.
D1-30x20	30	35	17	41	23	20	38	35	30	60	42	25°	5006-260
D1-40x25	40	42.5	21	47.5	25.5	25	48	42.5	40	72	50	25°	5006-261
D1-50x32	50	50	26	55	30.5	32	60	50	-	85	60	-	5006-262
D1-60x32	60	57.5	33	57.5	33	32	62.5	62.5	-	110	85	-	5006-263

D2

- Left-hand
- External Coolant Supply



DIMENSIONS

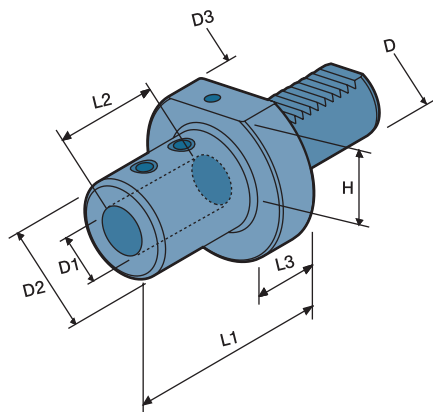
ORDER NO.	D	B1	B2	B3	B4	H1	H2	H3	H4	L1	L2	α	CODE NO.
D2-30x20	30	35	17	41	23	20	38	35	30	60	42	25°	5006-264
D2-40x25	40	42.5	21	47.5	25.5	25	48	42.5	40	72	50	25°	5006-265
D2-50x32	50	50	26	55	30.5	32	60	50	-	85	60	-	5006-266
D2-60x32	60	57.5	33	57.5	33	32	62.5	62.5	-	110	85	-	5006-267



Static Holders

E1 TYPE

DIN 69880



E1

- Internal Coolant Supply
- U Drills

DIMENSIONS

ORDER NO.	D	D1	D2	D3	H	L1	L2	L3	CODE NO.
E1-20x20	20	20	40	50	-	67	57	18	5006-268
E1-20x25	20	25	45	50	-	71	59	18	5006-269
E1-30x20	30	20	40	68	28	67	54	22	5006-270
E1-30x25	30	25	45	68	28	71	59	22	5006-271
E1-30x32	30	32	52	68	28	75	63	22	5006-272
E1-40x20	40	20	40	83	32.5	67	54	22	5006-273
E1-40x25	40	25	45	83	32.5	75	59	22	5006-274
E1-40x32	40	32	52	83	32.5	75	63	22	5006-275
E1-40x40	40	40	60	83	32.5	90	73	22	5006-276
E1-50x20	50	20	40	98	35	67	54	30	5006-277
E1-50x25	50	25	45	98	35	80	59	30	5006-278
E1-50x32	50	32	52	98	35	80	63	30	5006-279
E1-50x40	50	40	60	98	35	90	73	30	5006-280
E1-50x50	50	50	70	98	35	100	83	30	5006-281

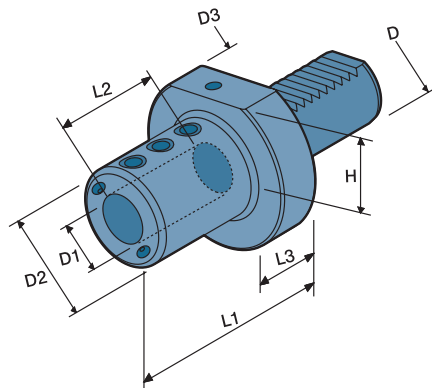


Static Holders



E2 TYPE

✘ ORDER MADE, NOT REFUNDABLE. DIN 69880



E2

- Boring Bar Holder
- External Coolant Supply

DIMENSIONS

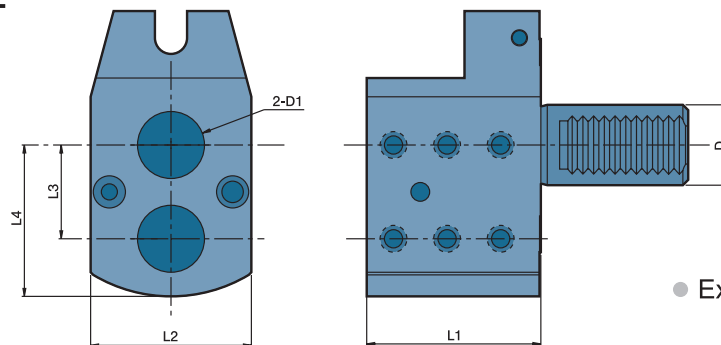
ORDER NO.	D	D1	D2	D3	H	L1	L2	L3	CODE NO.
E2-20x8	20	8	40	50	-	50	41	18	5006-282
E2-20x10	20	10	40	50	-	50	41	18	5006-283
E2-20x12	20	12	40	50	-	50	41	18	5006-284
E2-20x16	20	16	40	50	-	50	41	18	5006-285
E2-20x20	20	20	50	50	-	50	41	-	5006-286
E2-20x25	20	25	50	50	-	60	41	-	5006-287
E2-30x8	30	8	50	68	28	60	51	22	5006-288
E2-30x10	30	10	50	68	28	60	51	22	5006-289
E2-30x12	30	12	50	68	28	60	51	22	5006-290
E2-30x16	30	16	55	68	28	60	51	22	5006-291
E2-30x20	30	20	58	68	28	60	51	22	5006-292
E2-30x25	30	25	62	68	28	60	51	22	5006-293
E2-30x32	30	32	68	68	28	75	61	-	5006-294
E2-40x10	40	10	50	83	32.5	75	61	22	5006-295
E2-40x12	40	12	50	83	32.5	75	61	22	5006-296
E2-40x16	40	16	56	83	32.5	75	61	22	5006-297
E2-40x20	40	20	56	83	32.5	75	61	22	5006-298
E2-40x25	40	25	62	83	32.5	75	61	22	5006-299
E2-40x32	40	32	72	83	32.5	75	61	22	5006-300
E2-40x40	40	40	83	83	32.5	85	76	-	5006-301
E2-50x10	50	10	50	98	35	90	76	30	5006-302
E2-50x12	50	12	56	98	35	90	76	30	5006-303
E2-50x16	50	16	56	98	35	90	76	30	5006-304
E2-50x20	50	20	62	98	35	90	76	30	5006-305
E2-50x25	50	25	72	98	35	90	76	30	5006-306
E2-50x32	50	32	72	98	35	90	76	30	5006-307
E2-50x40	50	40	80	98	35	90	76	30	5006-308
E2-50x50	50	50	90	98	35	95	86	30	5006-309
E2-60x10	60	10	68	123	42.5	90	76	35	5006-310
E2-60x12	60	12	68	123	42.5	90	76	35	5006-311
E2-60x16	60	16	68	123	42.5	90	76	35	5006-312
E2-60x20	60	20	68	123	42.5	90	76	35	5006-313
E2-60x25	60	25	68	123	42.5	90	76	35	5006-314
E2-60x32	60	32	68	123	42.5	90	76	35	5006-315
E2-60x40	60	40	98	123	42.5	90	76	35	5006-316
E2-60x50	60	50	98	123	42.5	95	86	35	5006-317



Static Holders

E2-X2 TYPE

DIN 69880



- External, internal coolant supply

DIMENSIONS

ORDER NO.	D DIN 69880	D1	L1	L2	L3	L4	CODE NO.
E2-30-2X25-35	30	25	65	60	35	56.5	5006-318
E2-40-2X40-65	40	40	85	80	65	91.5	5006-319



Static Holders



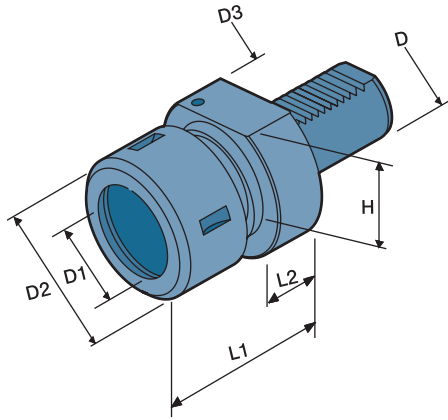
E3 E4 TYPE

✳ ORDER MADE, NOT REFUNDABLE.

DIN 69880

E3

- For Collet DIN 6388
- External Coolant Supply

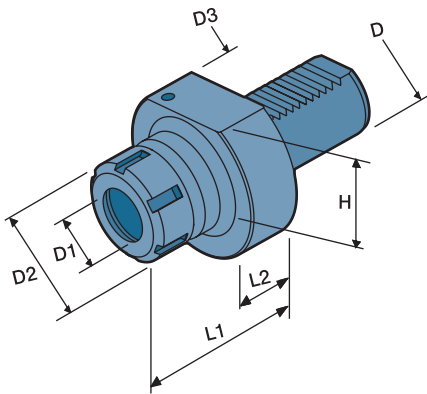


DIMENSIONS

ORDER NO.	D	D1	D2	D3	H	L1	L2	CODE NO.
E3-30-OZ25	30	2-25	60	68	28	75	22	5006-320
E3-40-OZ25	40	2-25	60	83	32.5	75	22	5006-321
E3-40-OZ32	40	4-32	78	83	32.5	90	22	5006-322
E3-50-OZ25	50	2-25	60	98	35	75	30	5006-323
E3-50-OZ32	50	4-32	78	98	35	90	30	5006-324

E4

- External Coolant Supply
- For Collet DIN 6499



DIMENSIONS

ORDER NO.	D	D1	D2	D3	H	L1	L2	CODE NO.
E4-20-ER25	20	1-16	42	50	-	50	18	5006-325
E4-30-ER25	30	1-16	42	68	28	53	22	5006-326
E4-30-ER32	30	2-20	50	68	28	57	22	5006-327
E4-40-ER32	40	2-20	50	83	32.5	62	22	5006-328
E4-40-ER40	40	3-26	63	83	32.5	75	22	5006-329
E4-50-ER40	50	3-26	63	98	35	75	30	5006-330
E4-60-ER40	60	3-26	63	123	42.5	75	30	5006-331
E4-60-ER50	60	10-34	78	123	42.5	75	30	5006-332



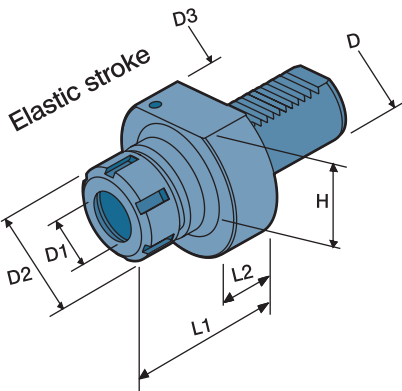
Static Holders

TAPPER, CHUCK TYPE

DIN 69880

TAPPER

- External Coolant Supply
- For Collet DIN 6499

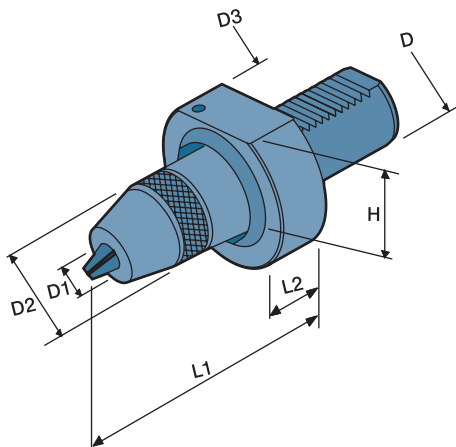


DIMENSIONS

ORDER NO.	D	D1	D2	D3	H	L1	L2	CODE NO.
TAP-20-ER20	20	1-13	34	50	-	60	18	5006-333
TAP-30-ER25	30	1-16	42	68	28	68	22	5006-334
TAP-40-ER25	40	1-16	42	83	32.5	73	22	5006-335
TAP-50-ER32	50	2-20	50	98	35	83	30	5006-336
TAP-60-ER32	60	2-20	50	123	42.5	85	30	5006-337

KEYLESS DRILL CHUCK

- External Coolant Supply



DIMENSIONS

ORDER NO.	D	D1	D2	D3	H	L1	L2	CODE NO.
CHUCK-30-13	30	1-13	51	68	28	85	22	5006-338
CHUCK-40-13	40	1-13	51	83	32.5	85	22	5006-339
CHUCK-40-16	40	3-16	58	83	32.5	90	22	5006-340
CHUCK-50-13	50	1-13	51	98	35	85	30	5006-341
CHUCK-50-16	50	3-16	58	98	35	90	30	5006-342

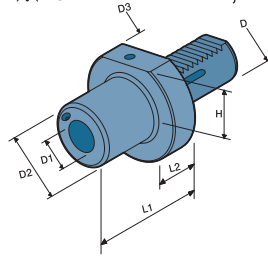


Static Holders



F TYPE

✘ ORDER MADE, NOT REFUNDABLE. DIN 69880



- Tool holders with morse taper according DIN 228
- External Coolant Supply

DIMENSIONS

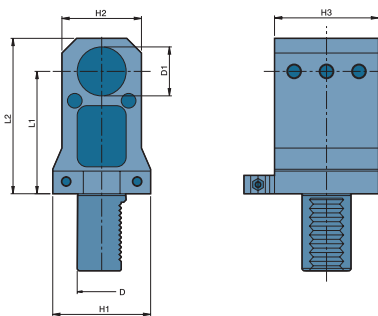
ORDER NO.	D	D1	D2	D3	H	L1	L2	CODE NO.
F20-MT1	20	MT1	-	50	-	23	-	5006-343
F30-MT1	30	MT1	52	68	28	27	22	5006-344
F30-MT2	30	MT2	58	68	28	43	22	5006-345
F30-MT3	30	MT3	64	68	28	66	22	5006-346
F40-MT2	40	MT2	66	83	32.5	43	22	5006-347
F40-MT3	40	MT3	72	83	32.5	58	22	5006-348
F40-MT4	40	MT4	72	83	32.5	78	22	5006-349
F50-MT2	50	MT2	55	98	35	36	30	5006-350
F50-MT3	50	MT3	60	98	35	44	30	5006-351
F50-MT4	50	MT4	70	98	35	71	30	5006-352
F60-MT3	60	MT3	58	123	42.5	36	30	5006-353
F60-MT4	60	MT4	68	123	42.5	50	30	5006-354



Axial Static Holders

T1 TYPE

DIN 69880



- External, internal coolant supply

DIMENSIONS

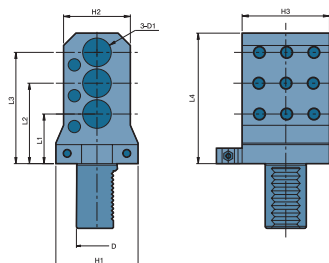
ORDER NO.	D	D1	H1	H2	H3	L1	L2	CODE NO.
T1-30-32-65	30	32	65	52	62	65	90	5006-355
T1-30-32-85	30	32	65	52	62	85	108	5006-356
T1-30-32-100	30	32	65	52	62	100	123	5006-357
T1-30-32-120	30	32	65	52	62	120	143	5006-358
T1-40-32-85	40	32	80	65	85	85	112	5006-359
T1-40-40-85	40	40	80	65	85	85	112	5006-360
T1-40-40-100	40	40	80	65	85	100	127	5006-361



Axial Static Holders

T1-X3 TYPE

DIN 69880



- External coolant supply

DIMENSIONS

ORDER NO.	D	D1	H1	H2	H3	L1	L2	L3	L4	CODE NO.
T1-30-3X25	30	25	65	65	62	42	85	128	148	5006-362



Reducing Sleeves

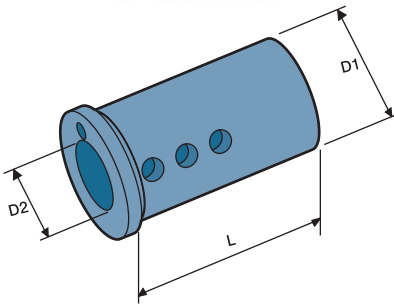


RS-W, RS TYPE

※ ORDER MADE, NOT REFUNDABLE.

RS-W

- External Coolant Supply
- For Boring Bar Holder

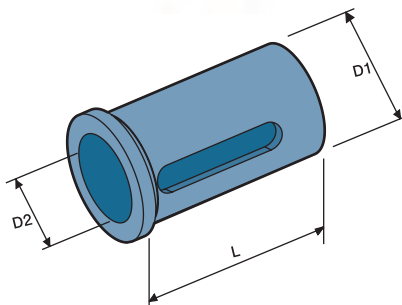


DIMENSIONS

D1	L	ORDER NO. D2	CODE NO.
20	45	E20-6	5006-369
		E20-8	5006-370
		E20-10	5006-371
25	55	E25-6	5006-372
		E25-8	5006-373
		E25-10	5006-374
32	60	E25-12	5006-375
		E32-6	5006-376
		E32-8	5006-377
32	60	E32-10	5006-378
		E32-12	5006-379
		E40-6	5006-381
40	75	E40-8	5006-382
		E40-10	5006-383
		E40-12	5006-384
50	85	E50-8	5006-388
		E50-10	5006-389
		E50-12	5006-390
		E50-16	5006-391
		E50-20	5006-392
		E50-25	5006-393

RS

- For Boring Bar Holder



DIMENSIONS

D1	L	ORDER NO. D2	CODE NO.
20	50	E20-12-K	5006-399
		E20-16-K	5006-400
25	50	E25-16-K	5006-401A
		E25-20-K	5006-401
32	60	E32-16-K	5006-402A
		E32-20-K	5006-402B
		E32-25-K	5006-402
40	75	E40-16-K	5006-403A
		E40-20-K	5006-403B
		E40-25-K	5006-403C
		E40-32-K	5006-403
50	85	E50-32-K	5006-404A
		E50-40-K	5006-404

VDI