

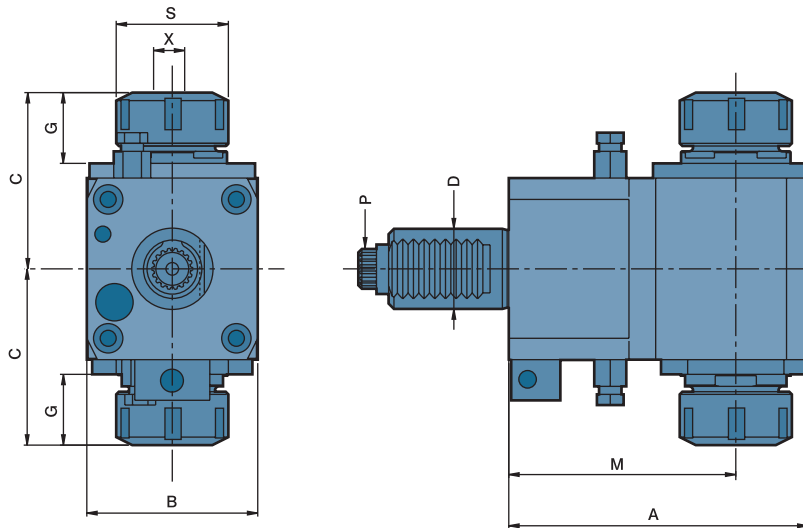


# Radial Double Drilling And Milling Heads



※ ORDER MADE, NOT REFUNDABLE.

DIN 5480



- Collet is not included
- External coolant supply
- To be used for collet DIN 6499

## DIMENSIONS

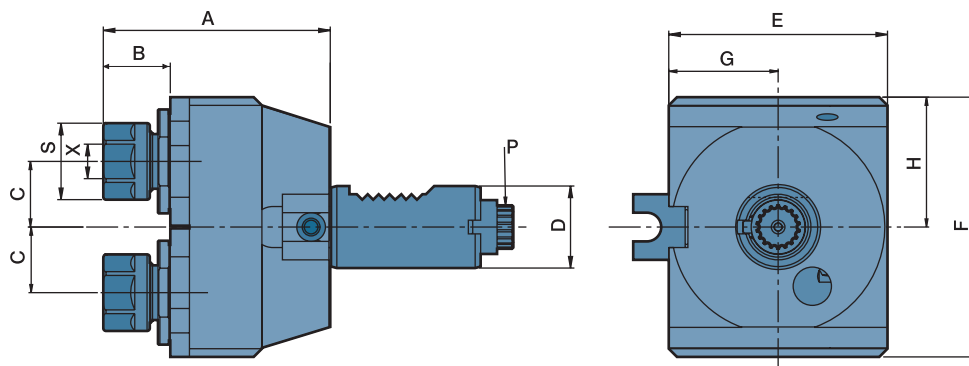
ORDER NO.	D DIN 69880	X Capacity	S	Maximum R.P.M.	i	A	B	C	G	M	P DIN 5480	CODE NO.
DF3054802585D	30	1-16 ER25	42	4000	1 : 1	112	64	66	26.5	85	W16X0.8	5006-062
DF4054803285D	40	2-20 ER32	50	4000	1 : 1	119	80	82	28	85	W20X0.8	5006-063
DF40548032100D	40	2-20 ER32	50	4000	1 : 1	134	80	82	28	100	W20X0.8	5006-064



# Axial Double Drilling And Milling Heads

DOUBLE COLLETS, Y OFFSET

DIN 5480



- Collet is not included
- External coolant supply
- To be used for collet DIN 6499

## DIMENSIONS

ORDER NO.	D DIN 69880	X Capacity	S	Maximum R.P.M.	i	A	B	C	E	F	G	H	P DIN 5480	CODE NO.
DA30548016DY	30	1-10 ER16	30	4000	1 : 1	83	24.5	24	80	95	40	48	W16X0.8	5006-065

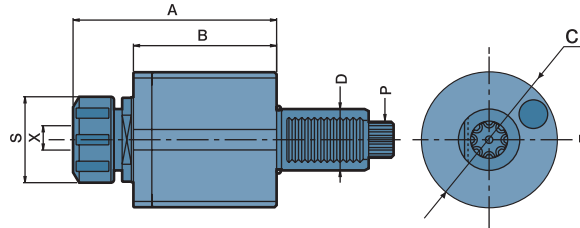
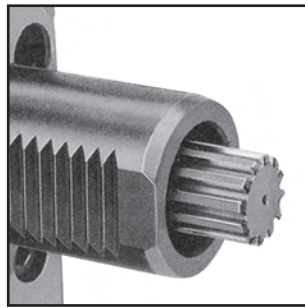


# Axial Drilling And Milling Heads



FOR DIN 5482 MACHINE USING

DIN 5482



**Power Transmission According To DIN 5482**

- External coolant supply
- To be used for collet DIN 6499
- Collet is not included

## DIMENSIONS

ORDER NO.	D DIN 69880	X Capacity	S	Maximum R.P.M.	i	A	B	C	P DIN 5482	CODE NO.
DA30548225	30	1-16 ER25	42	6000	1 : 1	101	70	68	B15X12	5006-066
DA40548232	40	2-20 ER32	50	6000	1 : 1	110	73.5	86	B17X14	5006-067
DA50548240	50	3-26 ER40	63	6000	1 : 1	120	81.5	96	B20X17	5006-068
DA60548250	60	10-34 ER50	78	6000	1 : 1	140	88.5	116	B25X22	5006-069

## Axial Tapping Heads

DIN 5482

## DIMENSIONS

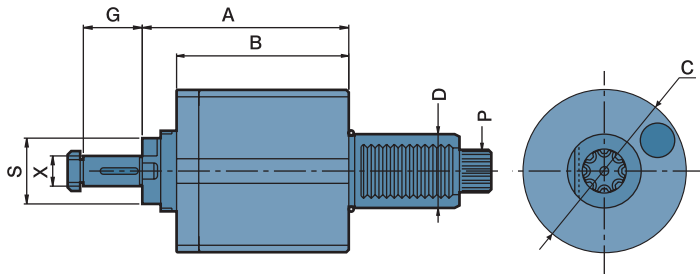
ORDER NO.	D DIN 69880	X Capacity	S	Maximum R.P.M.	i	A	B	C	P DIN 5482	CODE NO.
TDA30548216	30	1-10 ER16	30	3000	1 : 1	108	71.5	68	B15X12	5006-070
TDA40548220	40	1-13 ER20	35	3000	1 : 1	95.5	55	86	B17X14	5006-071
TDA50548225	50	1-16 ER25	42	3000	1 : 1	123	81.5	96	B20X17	5006-072
TDA60548232	60	2-20 ER32	50	3000	1 : 1	158.5	88.5	116	B25X22	5006-073



# Axial Milling Heads

✘ ORDER MADE, NOT REFUNDABLE.

DIN 5480



- External coolant and intermediate rings supply
- To be used for cutter arbor according to DIN 6358

## DIMENSIONS

ORDER NO.	D DIN 69880	X Capacity	S	Maximum R.P.M.	i	A	B	C	G	P DIN 5482	CODE NO.
DA30548216C	30	16	32	3000	1 : 1	91.5	70	68	27	B15X12	5006-074
DA40548216C	40	16	32	3000	1 : 1	68.5	55	86	27	B17X14	5006-075
DA40548222C	40	22	32	3000	1 : 1	68.5	55	86	31	B17X14	5006-076
DA50548222C	50	22	40	3000	1 : 1	117	81.5	96	31	B20X17	5006-077
DA50548227C	50	27	40	3000	1 : 1	117	88.5	96	33	B20X17	5006-078



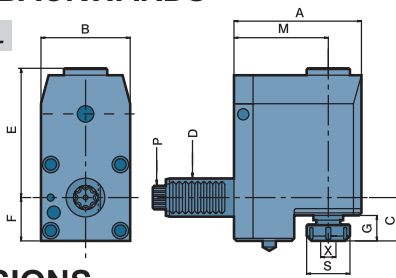
# Radial Drilling And Milling Heads



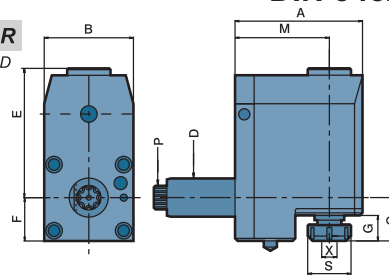
## BACKWARDS

## DIN 5482

MODE: BL  
LEFT-HAND



MODE: BR  
RIGHT-HAND



- To be used for collet DIN 6499
- Collet is not included
- External coolant supply

### DIMENSIONS

ORDER NO.	D DIN 69880	X Capacity	S	Maximum R.P.M.	i	A	B	C	E	F	G	M	P DIN 5482	CODE NO.
BR3054822572 BL3054822572	30	1-16 ER25	42	5000	1 : 1	95	60	42	75.5	31.5	28.5	72	B15X12	5006-079A
BR4054823290 BL4054823290	40	2-20 ER32	50	5000	1 : 1	124	80	44	110	42	34	90	B17X14	5006-080
BR5054824090 BL5054824090	50	3-26 ER40	63	5000	1 : 1	129	86	49	112	45	39	90	B20X17	5006-081
BR60548250106 BL60548250106	60	10-34 ER50	78	5000	1 : 1	147	104	83	118	54	42	106	B25X22	5006-082A

# Radial Tapping Heads-Backwards

### DIMENSIONS

ORDER NO.	D DIN 69880	X Capacity	S	Maximum R.P.M.	i	A	B	C	E	F	G	M	P DIN 5482	CODE NO.
TBR3054821672 TBL3054821672	30	1-10 ER16	30	3000	1 : 1	95	60	44	75.5	31.5	32	69	B15X12	5006-083A
TBR4054822090 TBL4054822090	40	1-13 ER20	35	3000	1 : 1	24	80	50	110	42	34	90	B17X14	5006-084
TBR5054822590 TBL5054822590	50	2-16 ER25	42	3000	1 : 1	129	86	54	112	45	36	90	B20X17	5006-085
TBR60548232106 TBL60548232106	60	2-20 ER32	50	3000	1 : 1	147	104	87	118	54	40	106	B25X22	5006-086A

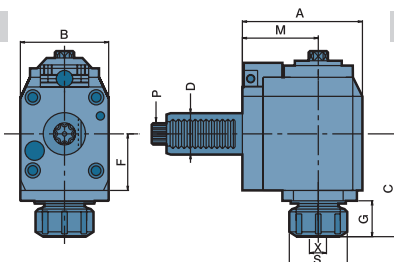


# Radial Drilling And Milling Heads

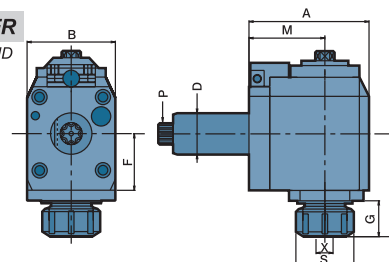
✂ ORDER MADE, NOT REFUNDABLE.

## DIN 5482

MODE: FL  
LEFT-HAND



MODE: FR  
RIGHT-HAND



- To be used for collet DIN 6499
- Collet is not included
- External coolant supply

### DIMENSIONS

ORDER NO.	D DIN 69880	X Capacity	S	Maximum R.P.M.	i	A	B	C	F	G	M	P DIN 5482	CODE NO.
FR3054822565 FL3054822565	30	1-16 ER25	42	5000	1 : 1	97	64	74.5	41	26	65	B15X12	5006-087
FR3054822585 FL3054822585	30	1-16 ER25	42	5000	1 : 1	117	64	74.5	41	26	85	B15X12	5006-088
FR4054823265 FL4054823265	40	2-20 ER32	50	5000	1 : 1	99	80	71	40	23	65	B17X14	5006-089
FR4054823285 FL4054823285	40	2-20 ER32	50	5000	1 : 1	119	80	71	40	23	85	B17X14	5006-090

# Radial Tapping Heads

### DIMENSIONS

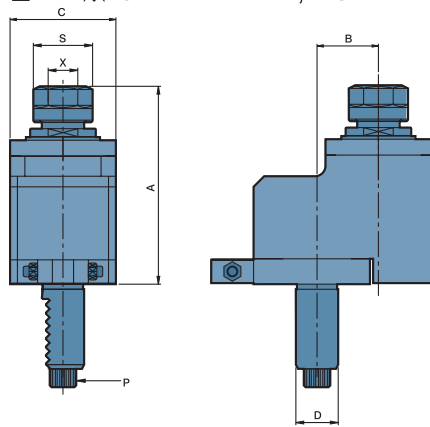
ORDER NO.	D DIN 69880	X Capacity	S	Maximum R.P.M.	i	A	B	C	F	G	M	P DIN 5482	CODE NO.
TFR3054821665 TFL3054821665	30	1-10 ER16	30	3000	1 : 1	97	64	75	41	30	65	B15X12	5006-092
TFR3054821685 TFL3054821685	30	1-10 ER16	30	3000	1 : 1	117	64	75	41	30	85	B15X12	5006-093
TFR4054822065 TFL4054822065	40	1-13 ER20	35	3000	1 : 1	99	80	70	40	25	65	B17X14	5006-094
TFR4054822085 TFL4054822085	40	1-13 ER20	35	3000	1 : 1	119	80	70	40	25	85	B17X14	5006-095



# Axial Drilling And Milling Heads



OFFSET TYPE ※ ORDER MADE, NOT REFUNDABLE. DIN 5482



- To be used for collet DIN 6499
- Collet is not included
- External coolant supply

## DIMENSIONS

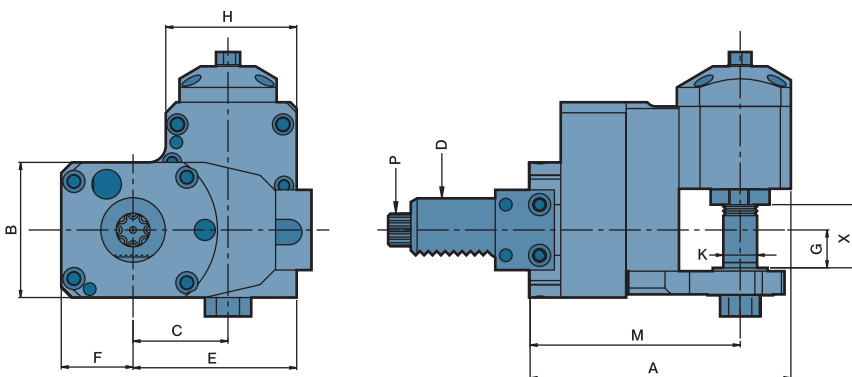
ORDER NO.	D DIN 69880	X Capacity	S	Maximum R.P.M.	i	A	B	C	P DIN 5482	CODE NO.
DA3054822529	30	1-16 ER25	42	4000	1 : 1	100	29	60	B15X12	5006-097
DA3054822529/1	※ 30	1-16 ER25	42	8000	1 : 2	100	29	60	B15X12	5006-098
DA4054823250	40	2-20 ER32	50	4000	1 : 1	125	50	75	B17X14	5006-099
DA5054824065	50	3-26 ER40	63	3000	1 : 1	124	65	86	B20X17	5006-100



# Radial Milling Heads

DISK CUTTER UNITS

DIN 5482



- External coolant supply

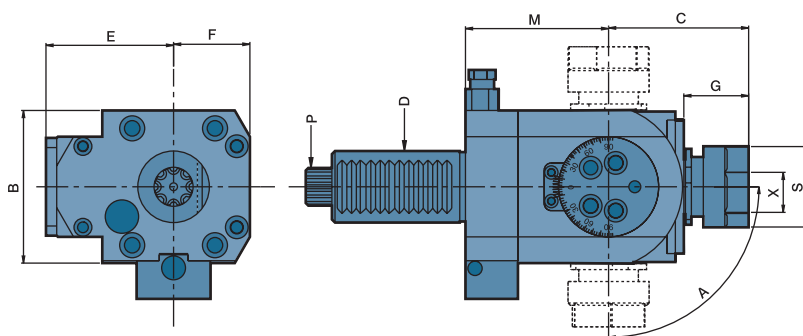
## DIMENSIONS

ORDER NO.	D DIN 69880	X Capacity	Maximum R.P.M.	i	A	B	C	E	F	G	H	K	M	P DIN 5482	CODE NO.
BR30548216C/3 BL30548216C/3	30	16	3000	3 : 1	133	64	45	77.5	49	5	65	16	107.5	B15X12	5006-101



# Angular Heads

DIN 5482



- To be used for collet DIN 6499
- Collet is not included
- External coolant supply

## DIMENSIONS

ORDER NO.	D DIN 69880	X Capacity	S	Maximum R.P.M.	i	A	B	C	E	F	G	M	P DIN 5482	CODE NO.
DA30548220B	30	1-13 ER20	35	4000	1 : 1	±90°	64	59	54	32	27	67	B15X12	5006-102A



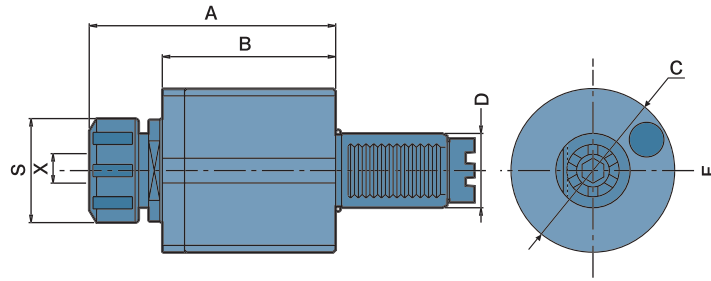
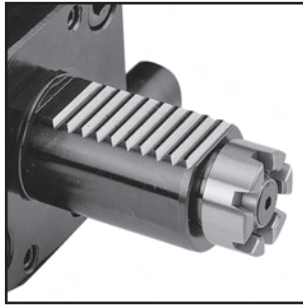
# Axial Drilling And Milling Heads-



## For "Baruffaldi" Type

SPUR COUPLING-MT TYPE

✕ ORDER MADE, NOT REFUNDABLE.



- Power Transmission According To "BARUFFALDI"
- MT: Frontal Transmission Coupling Gear is Fixed Version

- To be used for collet DIN 6499
- External coolant supply
- Collet is not included

### DIMENSIONS

ORDER NO.	D DIN 69880	X Capacity	S	Maximum R.P.M.	i	A	B	C	CODE NO.
DA20MT16	20	1-10 ER16	30	6000	1 : 1	76	48	58	5006-103
DA30MT25	30	1-16 ER25	42	6000	1 : 1	86	55	68	5006-104
DA40MT32	40	2-20 ER32	50	6000	1 : 1	112	55	86	5006-105
DA50MT40	50	3-26 ER40	63	6000	1 : 1	118	81.5	96	5006-106

## Axial Tapping Heads

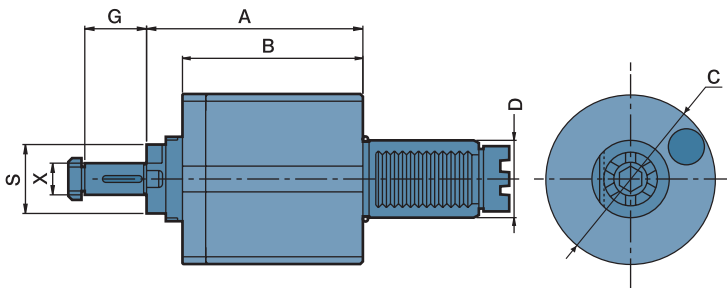
### DIMENSIONS

ORDER NO.	D DIN 69880	X Capacity	S	Maximum R.P.M.	i	A	B	C	CODE NO.
TDA30MT16	30	1-10 ER16	30	3000	1 : 1	108	71.5	68	5006-107
TDA40MT20	40	1-13 ER20	35	3000	1 : 1	95.5	55	86	5006-108
TDA50MT25	50	1-16 ER25	42	3000	1 : 1	123	81.5	96	5006-109



## Axial Milling Heads

SPUR COUPLING-MT TYPE



- External coolant and intermediate rings supply
- To be used for cutter arbor according to DIN 6358

### DIMENSIONS

ORDER NO.	D DIN 69880	X Capacity	S	Maximum R.P.M.	i	A	B	C	G	CODE NO.
DA30MT16C	30	16	32	3000	1 : 1	91.5	55	68	27	5006-110
DA40MT16C	40	16	32	3000	1 : 1	68.5	55	86	27	5006-111
DA40MT22C	40	22	32	3000	1 : 1	68.5	55	86	31	5006-112
DA50MT22C	50	22	40	3000	1 : 1	117	81.5	96	31	5006-113
DA50MT27C	50	27	40	3000	1 : 1	117	81.5	96	33	5006-114



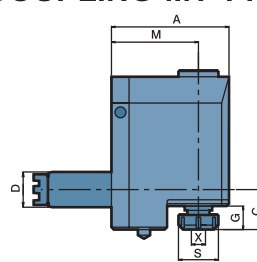
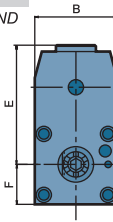
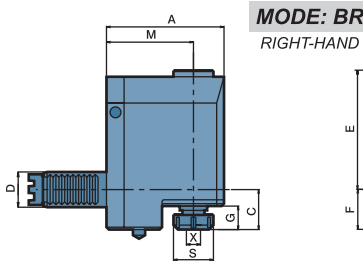
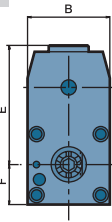


# Radial Drilling And Milling Heads-Backwards



✂ ORDER MADE, NOT REFUNDABLE. SPUR COUPLING-MT TYPE

MODE: BL  
LEFT-HAND



- External coolant supply
- To be used for collet DIN 6499
- Collet is not included

## DIMENSIONS

ORDER NO.	D DIN 69880	X Capacity	S	Maximum R.P.M.	i	A	B	C	E	F	G	M	CODE NO.
BR20MT1660 BL20MT1660	20	1-10 ER16	30	5000	1 : 1	83	50	35	70	27	27	60	5006-115A
BR30MT2572 BL30MT2572	30	1-16 ER25	42	5000	1 : 1	95	60	42	76	32	29	72	5006-116A
BR40MT3290 BL40MT3290	40	2-20 ER32	50	5000	1 : 1	124	80	44	110	42	34	90	5006-117
BR50MT4090 BL50MT4090	50	3-26 ER40	63	5000	1 : 1	129	86	49	112	45	39	90	5006-118

# Radial Tapping Heads-Backwards

## DIMENSIONS

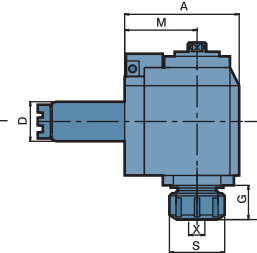
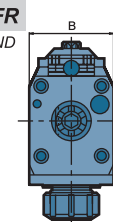
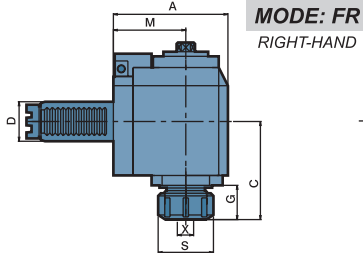
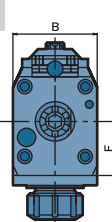
ORDER NO.	D DIN 69880	X Capacity	S	Maximum R.P.M.	i	A	B	C	E	F	G	M	CODE NO.
TBR30MT1672 TBL30MT1672	30	1-10 ER16	30	3000	1 : 1	95	60	44	76	32	32	72	5006-119A
TBR40MT2090 TBL40MT2090	40	1-13 ER20	35	3000	1 : 1	124	80	50	110	42	34	90	5006-120
TBR50MT2590 TBL50MT2590	50	1-16 ER25	42	3000	1 : 1	129	86	54	112	45	36	90	5006-121



# Radial Drilling And Milling Heads

SPUR COUPLING-MT TYPE

MODE: FL  
LEFT-HAND



- External coolant supply
- To be used for collet DIN 6499
- Collet is not included

## DIMENSIONS

ORDER NO.	D DIN 69880	X Capacity	S	Maximum R.P.M.	i	A	B	C	F	G	M	CODE NO.
FR30MT2565 FL30MT2565	30	1-16 ER25	42	5000	1 : 1	97	64	74.5	41	26	65	5006-122
FR30MT2585 FL30MT2585	30	1-16 ER25	42	5000	1 : 1	117	64	74.5	41	26	85	5006-123
FR40MT3265 FL40MT3265	40	2-20 ER32	50	5000	1 : 1	99	80	71	40	23	65	5006-124
FR40MT3285 FL40MT3285	40	2-20 ER32	50	5000	1 : 1	119	80	71	40	23	85	5006-125
FR40MT32100 FL40MT32100	40	2-20 ER32	50	5000	1 : 1	134	80	71	40	23	100	5006-126

# Radial Tapping Heads

## DIMENSIONS

ORDER NO.	D DIN 69880	X Capacity	S	Maximum R.P.M.	i	A	B	C	F	G	M	CODE NO.
TFR30MT1665 TFL30MT1665	30	1-10 ER16	30	3000	1 : 1	97	64	75	41	30	65	5006-128
TFR30MT1685 TFL30MT1685	30	1-10 ER16	30	3000	1 : 1	117	64	75	41	30	85	5006-129
TFR40MT2065 TFL40MT2065	40	1-13 ER20	35	3000	1 : 1	99	80	70	40	25	65	5006-130
TFR40MT2085 TFL40MT2085	40	1-13 ER20	35	3000	1 : 1	119	80	70	40	25	85	5006-131
TFR50MT2575 TFL50MT2575	50	1-16 ER25	42	3000	1 : 1	115	88	103	56	42	75	5006-132

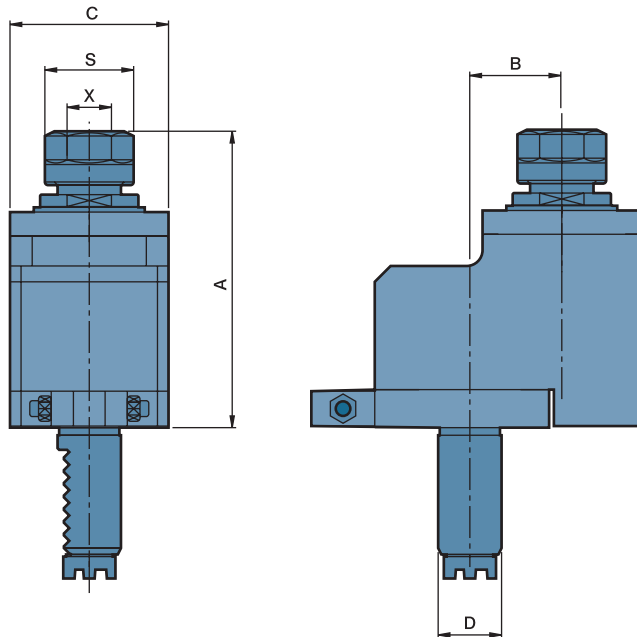


# Axial Drilling And Milling Heads



OFFSET TYPE

SPUR COUPLING-MT TYPE



- Collet is not included
- External coolant supply
- To be used for collet DIN 6499

## DIMENSIONS

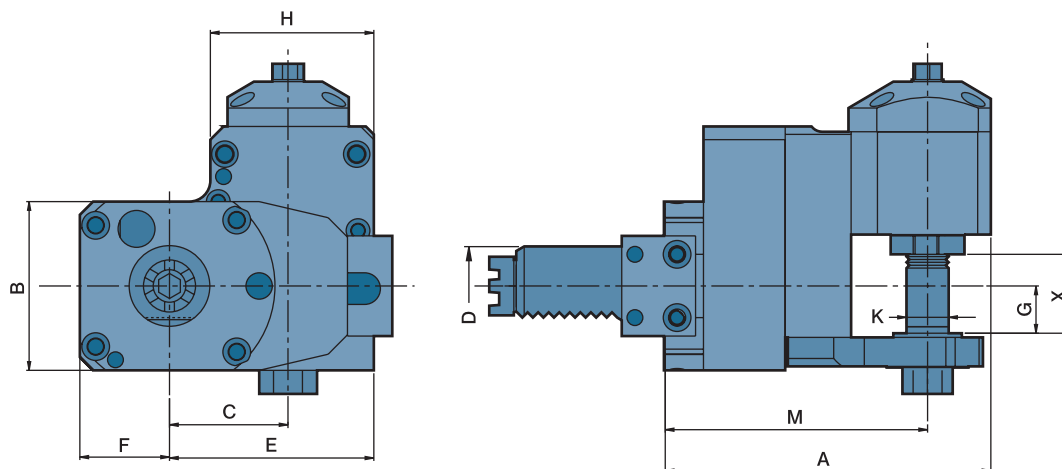
ORDER NO.	D DIN 69880	X Capacity	S	Maximum R.P.M.	i	A	B	C	CODE NO.
DA20MT1629	20	1-10 ER16	30	4000	1 : 1	93.5	29	50	5006-133
DA30MT2529	30	1-16 ER25	42	4000	1 : 1	100	29	60	5006-134
DA30MT2529/1	※ 30	2-20 ER32	42	8000	1 : 2	100	29	60	5006-135
DA40MT3250	40	2-20 ER32	50	4000	1 : 1	125	50	75	5006-136
DA50MT4065	50	3-26 ER40	63	3000	1 : 1	124	65	86	5006-137



# Radial Milling Heads

※ ORDER MADE, NOT REFUNDABLE

SPUR COUPLING-MT TYPE



- External coolant supply

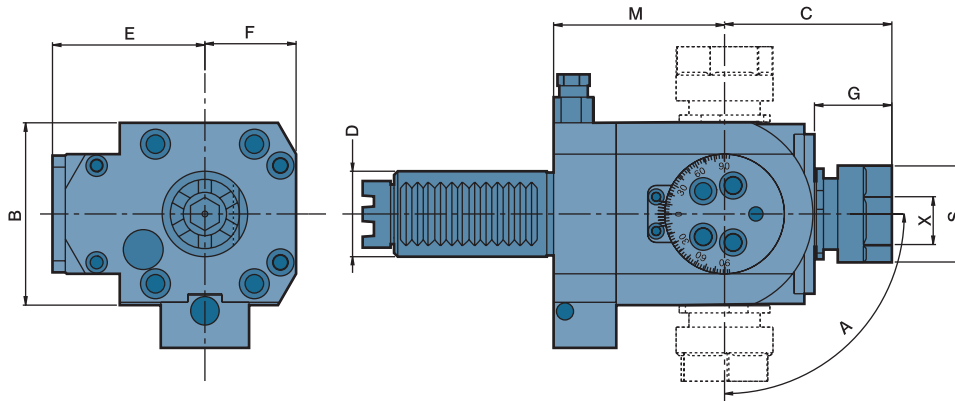
## DIMENSIONS

ORDER NO.	D DIN 69880	X Capacity	Maximum R.P.M.	i	A	B	C	E	F	G	H	K	M	CODE NO.
BR30MT16C/3 BL30MT16C/3	30	16	3000	3 : 1	133	64	45	77.5	49	5	65	16	107.5	5006-138



# Angular Heads

※ ORDER MADE, NOT REFUNDABLE SPUR COUPLING-MT TYPE



- To be used for collet DIN 6499
- External coolant supply
- Collet is not included

## DIMENSIONS

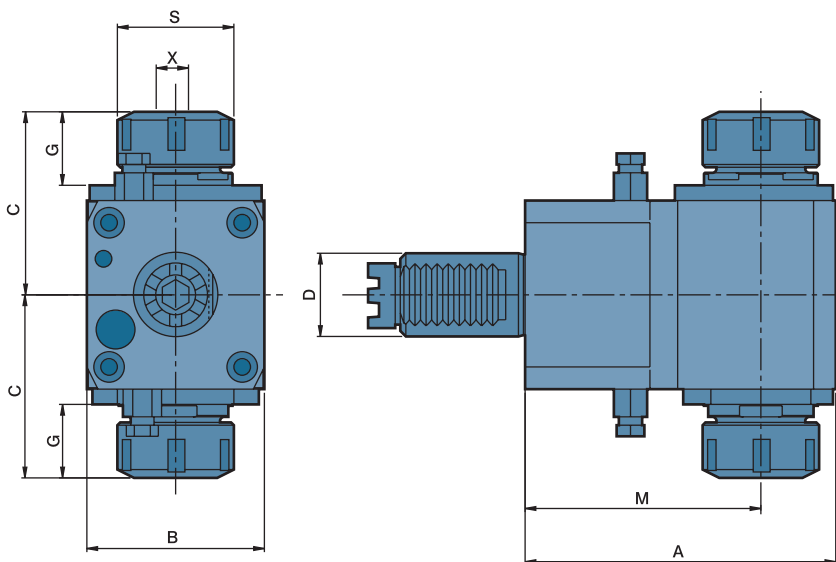
ORDER NO.	D DIN 69880	X Capacity	S	Maximum R.P.M.	i	A	B	C	E	F	G	M	CODE NO.
DA30MT20B	30	1-13 ER20	35	4000	1 : 1	±90°	64	59	54	32	27	67	5006-139A



# Radial Drilling And Milling Heads

DOUBLE HEAD TYPE

SPUR COUPLING-MT TYPE



- To be used for collet DIN 6499
- External coolant supply
- Collet is not included

## DIMENSIONS

ORDER NO.	D DIN 69880	X Capacity	S	Maximum R.P.M.	i	A	B	C	G	M	CODE NO.
DF30MT2585D	30	1-16 ER25	42	4000	1 : 1	112	64	66	27	85	5006-140
DF40MT3285D	40	2-20 ER32	50	4000	1 : 1	119	80	82	28	85	5006-141
DF40MT32100D	40	2-20 ER32	50	4000	1 : 1	134	80	82	28	100	5006-142





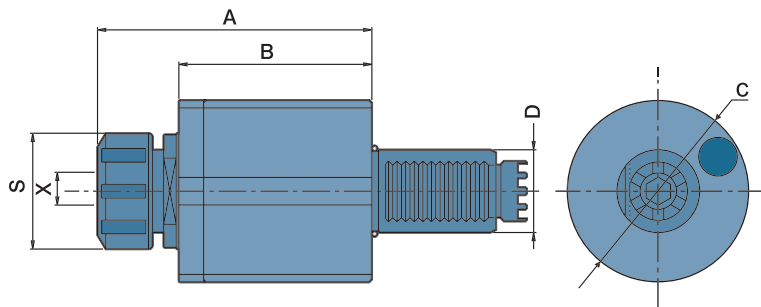
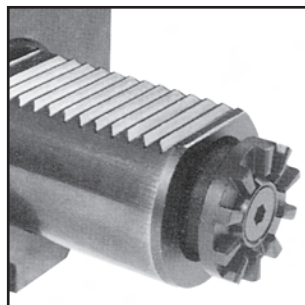
# Axial Drilling And Milling Heads-



## For "Diplomatic" Type

SPUR COUPLING-IT TYPE

※ ORDER MADE, NOT REFUNDABLE.



- Power Transmission According To "DIPLOMATIC"
- IT: Fron-side Coupling is Elastic Stroke

- External coolant supply
- To be used for collet DIN 6499
- Collet is not included

### DIMENSIONS

ORDER NO.	D DIN 69880	X Capacity	S	Maximum R.P.M.	i	A	B	C	CODE NO.
DA30IT25	30	1-16 ER25	42	6000	1 : 1	86	55	68	5006-143

## Axial Tapping Heads

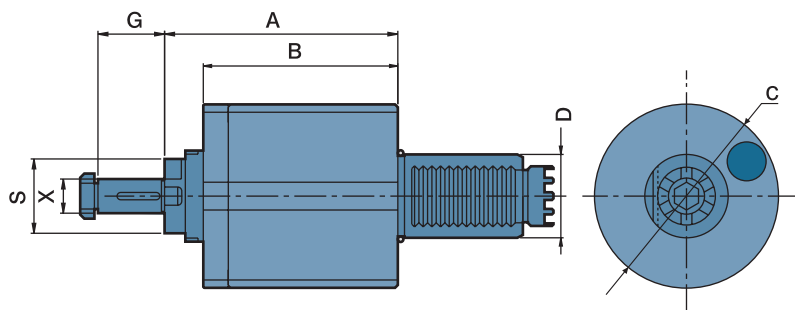
### DIMENSIONS

ORDER NO.	D DIN 69880	X Capacity	S	Maximum R.P.M.	i	A	B	C	CODE NO.
TDA30IT16	30	1-10 ER16	30	3000	1 : 1	85	55	68	5006-146
TDA40IT20	40	1-13 ER20	35	3000	1 : 1	102	55	86	5006-147



## Axial Milling Heads

SPUR COUPLING-IT TYPE



- To be used for cutter arbor according to DIN 6358
- External coolant and intermediate rings supply

### DIMENSIONS

ORDER NO.	D DIN 69880	X DIN 6358	S	Maximum R.P.M.	i	A	B	C	G	CODE NO.
DA30IT16C	30	16	32	3000	1 : 1	91.5	55	68	27	5006-149
DA40IT16C	40	16	32	3000	1 : 1	68.5	55	86	27	5006-150
DA40IT22C	40	22	32	3000	1 : 1	68.5	55	86	31	5006-151



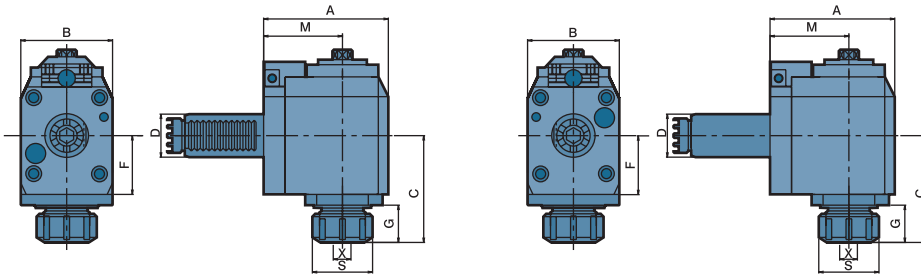
# Radial Drilling And Milling Heads



✘ ORDER MADE, NOT REFUNDABLE. SPUR COUPLING-IT TYPE

**MODE: FL**  
LEFT-HAND

**MODE: FR**  
RIGHT-HAND



- External coolant supply
- To be used for collet DIN 6499
- Collet is not included

## DIMENSIONS

ORDER NO.	D DIN 69880	X Capacity	S	Maximum R.P.M.	i	A	B	C	F	G	M	CODE NO.
FL30IT2565	30	1-16 ER25	42	5000	1 : 1	97	64	74.5	41	26	65	5006-154
FR30IT2585 FL30IT2585	30	1-16 ER25	42	5000	1 : 1	117	64	74.5	41	26	85	5006-155
FL40IT3265	40	2-20 ER32	50	5000	1 : 1	99	80	71	40	23	65	5006-156
FL40IT32100	40	2-20 ER32	50	5000	1 : 1	134	80	71	40	23	100	5006-158



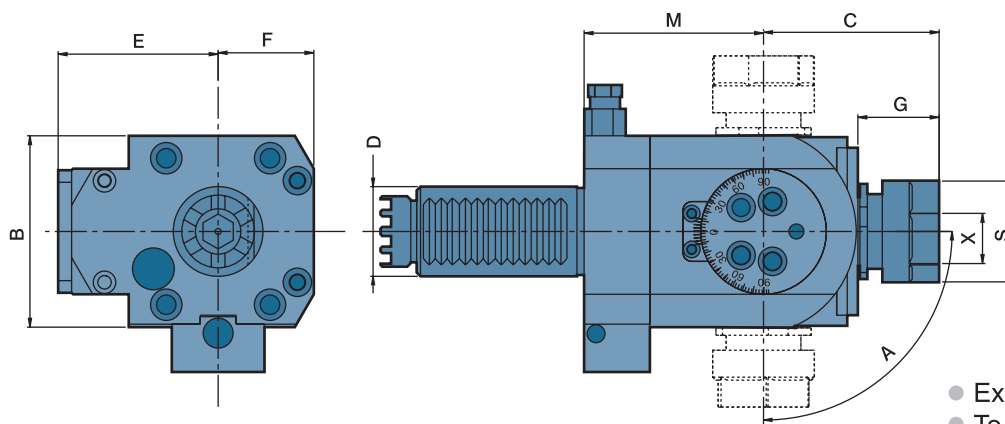
# Radial Tapping Heads

## DIMENSIONS

ORDER NO.	D DIN 69880	X Capacity	S	Maximum R.P.M.	i	A	B	C	F	G	M	CODE NO.
TFR30IT1665 TFL30IT1665	30	1-10 ER16	32	3000	1 : 1	97	64	75	41	30	65	5006-160
TFR30IT1685 TFL30IT1685	30	1-10 ER16	32	3000	1 : 1	117	64	75	41	30	85	5006-161
TFR40IT2065	40	1-13 ER20	35	3000	1 : 1	99	80	70	40	25	65	5006-162
TFR40IT2085 TFL40IT2085	40	1-13 ER20	35	3000	1 : 1	119	80	70	40	25	85	5006-163



# Angular Heads



- External coolant supply
- To be used for collet DIN 6499
- Collet is not included

## DIMENSIONS

ORDER NO.	D DIN 69880	X Capacity	S	Maximum R.P.M.	i	A	B	C	E	F	G	M	CODE NO.
DA30IT20B	30	1-13 ER20	35	4000	1 : 1	±90°	64	59	54	32	27	67	5006-165A

Other shank dimensions under development