



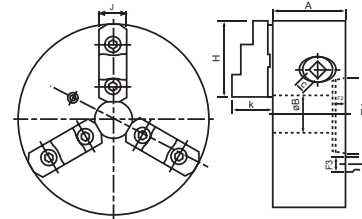
# 3-Jaw Scroll Chucks D1 Camlock Direct Mounting



Normal Type



BACK SAMPLE



(ASA spindle nose D1-4, D1-5, D1-6, D1-8)

American standard camlock type with 2-piece reversible hard top jaws.

- Gripping accuracy of 0.03mm(0.002inch)T.I.R.
- Standard accessories A chuck wrench and hex. key One set of mounting bolts.(UNC-bolts)

- The body is made of MEEHANITE.

It is suitably used for high speed revolution and 3 times more durable than regular chucks.

## SPECIFICATIONS

ORDER NO.	Spindle Size	Chuck Size	A	B	C	H	J	K	Mounting Dimensions				Gripping Range		Weight (kg)	Allowable Handle Torque (kgf.m)	Gripping Force (kgf)	I (kgf.M <sup>2</sup> )	Max. Speed (r.p.m.)	CODE NO.
									F1	F2	F3	F4	O.D. Range	I.D. Range						
KD5-8"	D1-5	200	77	46	11	82	28	42	82.563	14.3	19	104.78	Ø8-Ø180	Ø62-Ø170	18	11.5	3600	0.07	3200	5002-061
KD6-8"	D1-6	200	77	58	11	82	28	42	106.375	16	22	133.35	Ø8-Ø180	Ø62-Ø170	17	17	3600	0.07	3200	5002-063



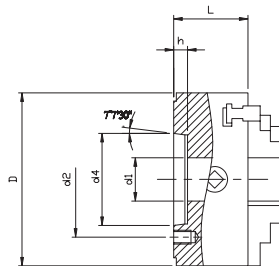
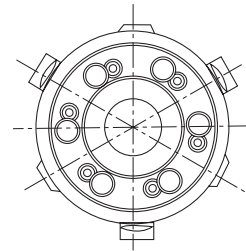
# 3-Jaw Powerful Camlock Type Self-Centering Chuck

Normal Type

NEW



SAMPLE



Ød4	
D1-5	82.563
D1-6	106.375
D1-8	106.375
D1-11	106.357

## SPECIFICATIONS

ORDER NO.	D	MOUNTING TYPE	d1	d2	d3	d4	h1	L	h	THREAD	WEIGHT (kgs)	CODE NO.
VSKC-6A	160	D5	40	104.8	146	82.563	12	73	15	6-M12x1.0P	10	5002-111
VSKC-8A	200	D6	50	133.4	181	106.375	13	86	16	6-M16x1.5P	17	5002-112
VSKC-10A	250	D6	70	133.4	181	106.375	13	98	16	6-M16x1.5P	32	5002-113
VSKC-12A	315	D6	100	133.4	181	106.375	13	103.5	16	6-M16x1.5P	49	5002-114



# 3-Jaw Wrench

Normal Type



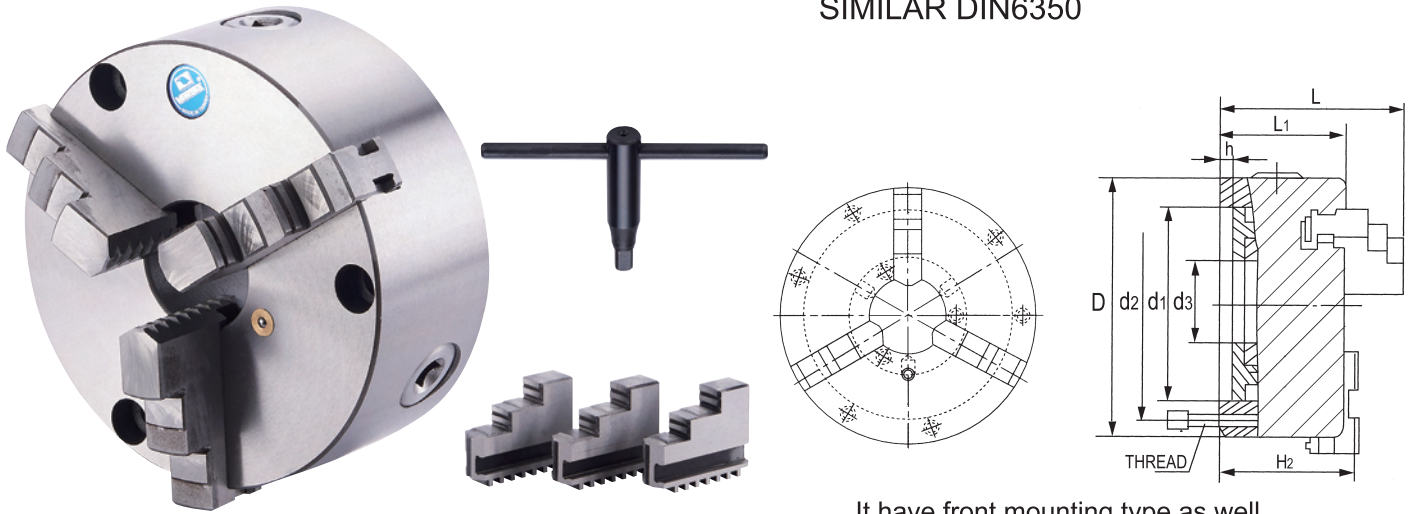
ORDER NO.	VSC-W3	VSC-W5	VSC-W6	VSC-W8	VSC-W10	VSC-W12	VSC-W16	VSC-W20
SIZE	7x7	8x8	10x10	11x11	12x12	14x14	15x15	18.9x18.9
I	VSC-3	VSC-4, VSC-5 VSK-4, VSK-5	VSC-6, VSK-6 VNBK-6	VSC-7, VSC-8 VSK-7, VSK-8 VPS-7, VPSK-7 VNBK-8	VSC-9, VSC-10 VSK-9, VSK-10 VPS-9, VPSK-9 VNBK-10	VSC-12, VSK-12 VPS-12, VPSK-12 VNBK-12	VSC-14, VSC-16 VSK-14, VSK-16 VPS-16, VPSK-6	VSK-20
II	VSC-3A	VSC-4A VSC-5A	VSC-6A, VSK-6A VPS-6A, VPS-6AK	VSC-7A, VSC-8A VSK-8A, VPS-8A VPS-8AK	VSC-9A, VSC-10A VSK-10A	VSC-12A, VSK-12A VPS-12A, VPS-12AK	VSC-16A VSK-16A	VSC-20A
CODE NO.	5002-150	5002-151	5002-152	5002-153	5002-154	5002-155	5002-156	5002-157



# DIN-Type 3-Jaw Self-Centering Chucks



SIMILAR DIN6350



It have front mounting type as well.

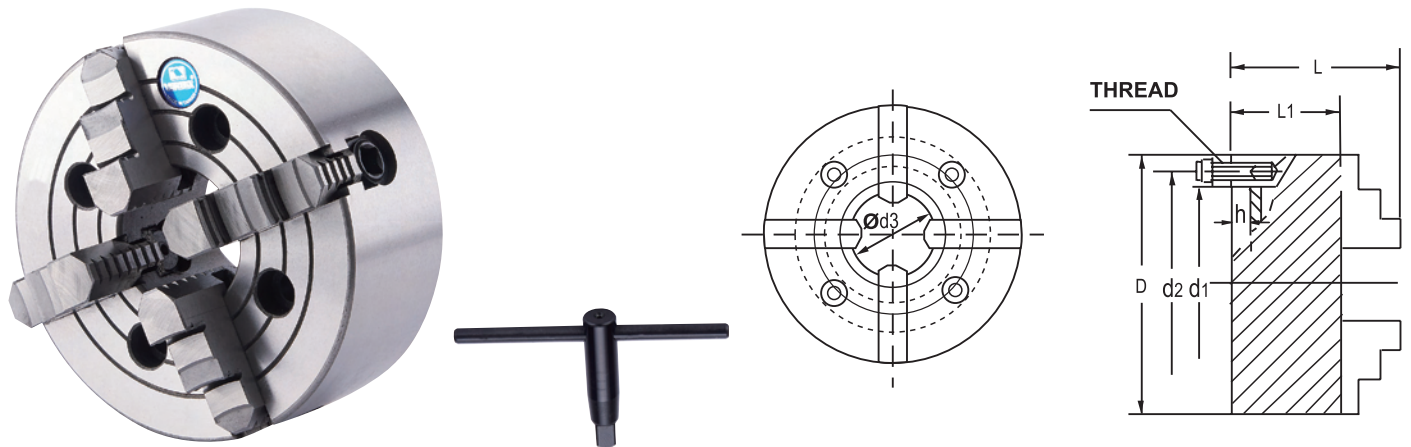
## SPECIFICATIONS

Unit:mm

ORDER NO.	D	d1	d2	d3	L	L1	h	THREAD	R.P.M. MAX SPEED	GRIPPING RANGE		WEIGHT (kgs)	CODE NO.
										O.D. RANGE	I.D. RANGE		
VSC-3D	80	56	67	16	66.5	50	4	3-M6	4000	Ø2-Ø70	Ø22-Ø63	1.9	5002-215
VSC-4D	100	70	83	22	74.5	55	3	3-M8	3500	Ø2-Ø90	Ø30-Ø80	3.3	5002-216
VSC-5D	125	95	108	30	84.5	58	4	3-M8	3000	Ø2.5-Ø125	Ø38-Ø110	5.2	5002-217
VSC-6D	160	125	140	45	94	65	5	6-M10	2500	Ø3-Ø160	Ø55-Ø145	9.1	5002-218
VSC-8D	200	160	176	65	109	75	5	6-M10	2500	Ø4-Ø200	Ø65-Ø200	16	5002-219
VSC-10D	250	200	224	80	120	80	5	6-M12	1600	Ø6-Ø250	Ø90-Ø250	27.5	5002-219A



# 4-Jaw Independent Chuck Plain Back



## SPECIFICATIONS

Unit:mm

ORDER NO.	D-size	d1	d2	d3	L	L1	h	THREAD	R.P.M. MAX SPEED	GRIPPING RANGE		WEIGHT (kgs)	CODE NO.
										O.D. RANGE	I.D. RANGE		
VKC-4	100mm(4")	72	84	25	74	54	3.5	4-M8	2300	Ø6-Ø45	Ø40-Ø100	3.5	5002-220
VKC-5	125mm(5")	95	108	30	78	56	4.5		1900	Ø7-Ø57	Ø48-Ø125	5.1	5002-221
VKC-6	160mm(6")	65	95	45	93	75	5	4-M10	1500	Ø8-Ø80	Ø50-Ø160	8.3	5002-222
VKC-8	200mm(8")	80	112	56	107	80	6		1350	Ø10-Ø100	Ø63-Ø200	15.9	5002-223
VKC-10	250mm(10")	110	130	75	120	90		8	1100	Ø15-Ø130	Ø80-Ø250	21.8	5002-224
VKC-12B	320mm(12")	140	165	95	134	90	4-M16		850	Ø20-Ø176	Ø100-Ø315	41	5002-226
VKC-14	350mm(14")	130	168	110		550		Ø20-Ø206	Ø100-Ø350	53.6	5002-227		
VKC-16	400mm(16")	160	185	125	143	95	4-M20	550	Ø25-Ø250	Ø118-Ø400	56	5002-228	
VKC-20	500mm(21")	200	236	160	161	106		350	Ø35-Ø300	Ø125-Ø500	105	5002-229	
VKC-25	630mm(25")	220	258	180	175	118	10	280	Ø50-Ø400	Ø160-Ø630	162	5002-230	
VKC-32	800mm(32")	250	300	210	202	132	12	200	Ø70-Ø540	Ø200-Ø800	265	5002-231	
VKC-40	1000mm(40")	320	370	305	259	170	15	150	Ø100-680	Ø250-1000	900	5002-232	
VKC-50	1250mm(50")	400	500	385	273	185	15	150	Ø170-900	Ø250-1250	1481	5002-233	

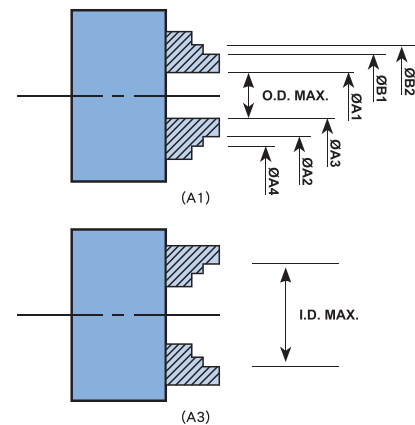
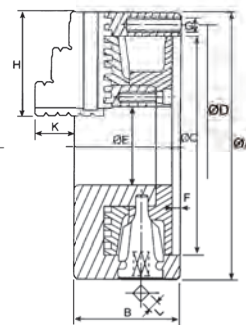
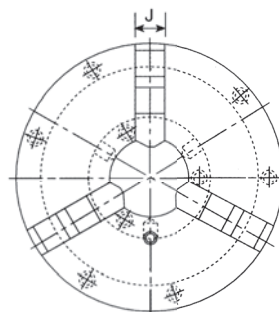
SCROLL CHUCK



# 3-Jaw Scroll Chuck



JIS STANDARD Accuracy Type



## SPECIFICATIONS

Unit:mm

ORDER NO.	Gripping Range					
	External Gripping				Internal Gripping	
	ØA1	ØA2	ØA3	ØA4	ØB1	ØB2
VSC-3	2-30	29-55	49-70	2-30	24-49	44-64
VSC-4	3-40	38-74	64-90	3-40	32-63	53-84
VSC-5	3-53	43-94	73-110	3-53	35-83	62-100
VSC-6	4-74	47-120	91-160	4-74	48-114	86-150
VSC-7	4-88	60-146	111-180	4-88	56-133	98-170
VSC-8	4-88	60-146	111-180	4-88	56-133	98-170
VSC-9	5-114	64-175	120-220	5-114	62-165	111-210
VSC-10	6-143	79-219	145-260	6-143	70-203	130-250
VSC-12	10-167	88-252	158-300	10-167	86-235	142-290
VSC-14	12-201	106-303	189-350	12-201	96-281	168-320
VSC-16	14-231	111-339	211-400	14-231	100-319	194-380

- Interchangeable utilization of internal and external hard jaws.
- VSC types feature economical and durable, suitable for mass production.
- Gripping accuracy of 0.03mm (0.012inch) T.I.R..
- The body is made of MEEHANITE. It is suitably used for high speed revolution and 3 times more durable than regular chucks.

## SPECIFICATIONS

ORDER NO.	Dim											Allowable Handle Torque (kgf.m)	Gripping Force (kgf)	I (kgf.m)	Weight (kgs)	Max. Speed (r.p.m.)	Gripping Range		CODE NO.
	A	B	C	D	E	F	G	H	J	K	L						O.D. Range	I.D. Range	
	VSC-3	85	46	60	73	16	4	3-M6	36	11	15						7	3.0	
VSC-4	112	59	80	95	24	4.5	3-M8	42	14	17	8	4.5	1200	-	3.9	2500	Ø3-Ø90	Ø32-Ø84	5002-002
VSC-5	132	60	100	115	32	4.5	3-M8	50	16	20	8	6.5	1500	0.01	4.6	2500	Ø3-Ø110	Ø35-Ø100	5002-003
VSC-6	165	67	130	147	45	5	3-M10	63	19	23	10	9.0	3300	0.03	7.6	2000	Ø4-Ø160	Ø48-Ø150	5002-004
VSC-7	192	76.5	155	172	58	5	3-M10	77	21.5	28	11	11.0	3600	0.06	12	2000	Ø4-Ø180	Ø56-Ø170	5002-005
VSC-8	200	76.5	160	176	58	5	3-M10	77	21.5	28	11	11.0	3600	0.07	13.3	2000	Ø4-Ø180	Ø56-Ø170	5002-006
VSC-9	232	84	190	210	70	6	3-M12	87	24	34.5	12	15.0	3900	0.15	19.3	2000	Ø5-Ø220	Ø62-Ø210	5002-007
VSC-10	273	87	230	250	87	8.5	3-M12	98	28	39	12	19.5	4800	0.25	26.2	1800	Ø6-Ø260	Ø70-Ø250	5002-008
VSC-12	310	96	260	285	105	7	3-M12	110	30	45	14	21.0	5700	0.58	37.6	1800	Ø10-Ø300	Ø86-Ø290	5002-009
VSC-14	355	112	300	328	127	7	6-M12	132	35	50	15	23.0	4500	-	57.2	1500	Ø12-Ø350	Ø96-Ø230	5002-009A
VSC-16	405	122	345	375	160	8.5	3-M14	146	42	56	15	23.0	4500	1.75	80.7	1500	Ø14-Ø400	Ø100-Ø380	5002-010

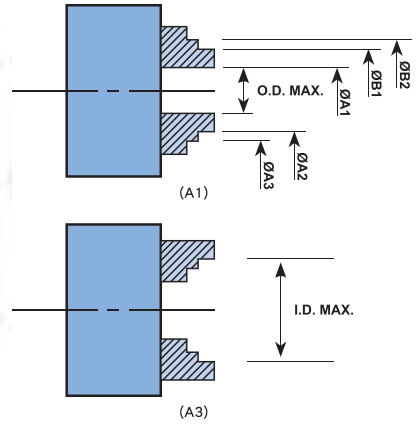
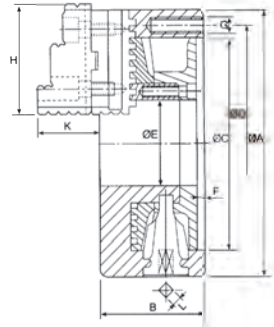
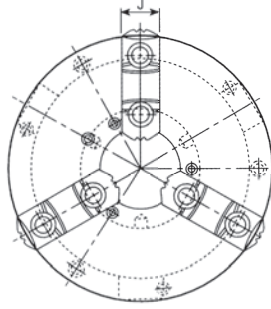




# 3-Jaw Powerful Scroll Chuck



JIS STANDARD Accuracy Type



- VSK types chucks have wider utilization range; hard jaws suitable for heavy cutting; optional soft jaws suitable for light and precision cutting.
- Hard jaws could be used as internal jaws and external jaws.
- Gripping accuracy of 0.03mm(0.012inch) T.I.R.
- The body is made of MEEHANITE.  
It is suitably used for high speed revolution and 3 times more durable than regular chucks.

## SPECIFICATIONS

Unit:mm

ORDER NO.	Gripping Range				
	External Gripping			Internal Gripping	
	ØA1	ØA2	ØA3	ØB1	ØB2
VSK-4	3-36	42-73	69-100	35-66	60-93
VSK-5	3-47	45-87	84-123	43-84	79-122
VSK-6	8-74	59-124	107-160	55-113	95-150
VSK-7	8-88	70-150	125-180	62-134	110-170
VSK-8	8-88	70-150	125-180	62-134	110-170
VSK-9	11-118	80-187	144-220	70-169	125-210
VSK-10	12-142	88-219	152-260	80-203	134-250
VSK-12	15-166	103-257	184-300	90-230	157-290
VSK-14	25-202	120-307	212-350	110-281	186-320
VSK-16	30-238	127-349	228-400	110-326	205-380
VSK-20	25-366	123-471	207-480	125-456	192-460

## SPECIFICATIONS VSK reversible type

ORDER NO.	Dim												Allowable Handle Torque (kgf.m)	Gripping Force (kgf)	I (kgf.m)	Weight (kgs)	Max. Speed (r.p.m.)	Gripping Range		CODE NO.
	A	B	C	D	E	F	G	H	J	K	L	O.D. Range						I.D. Range		
VSK-4	112	58	80	95	24	4.5	3-M8	47	19	31.5	8	4.5	1200	-	3.45	2500	Ø3-Ø100	Ø35-Ø93	5002-028	
VSK-5	132	60	100	115	32	4.5	3-M8	57	24	36	8	6.5	1500	-	5	2500	Ø3-Ø123	Ø43-Ø122	5002-029	
VSK-6	165	67	130	147	45	5	3-M10	72	26	39	10	9.0	3300	0.03	9.5	2000	Ø8-Ø160	Ø55-Ø150	5002-030	
VSK-7	192	76.5	155	172	58	5	3-M10	82	28	43	11	11.0	3600	0.06	12.8	2000	Ø8-Ø180	Ø62-Ø170	5002-031	
VSK-8	200	76.5	160	176	58	5	3-M10	82	28	43	11	11.0	3600	0.07	14.7	2000	Ø8-Ø180	Ø62-Ø170	5002-032	
VSK-9	232	84	190	210	70	5.5	3-M12	96	32	50	12	15.0	3900	0.16	20.4	2000	Ø11-Ø220	Ø70-Ø210	5002-033	
VSK-10	273	87	230	250	87	5.5	3-M12	100	35	54.5	12	19.5	4800	0.26	26.7	1800	Ø12-Ø260	Ø80-Ø250	5002-034	
VSK-12	310	96	260	285	105	7	3-M12	114	40	56	14	21.0	5700	0.58	39.3	1800	Ø15-Ø300	Ø90-Ø290	5002-035	
VSK-14	355	112	300	328	127	7	6-M12	139	45	70.5	15	23.0	4500	-	60.7	1500	Ø25-Ø350	Ø110-Ø320	5002-035A	
VSK-16	405	122	345	375	160	8	6-M14	150	50	75	15	23.0	4500	1.72	82.3	1500	Ø30-Ø400	Ø110-Ø380	5002-037	
VSK-20	500	140	420	458	205	5.5	6M-14	140	55	84	19	-	-	-	145.5	1000	Ø25-Ø480	Ø125-Ø460	5002-038	

SCROLL CHUCK

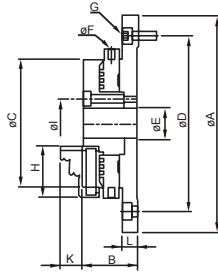
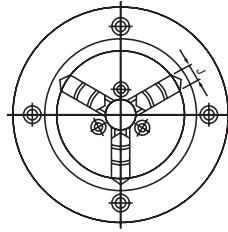




# Low Profile Chuck



**NEW**



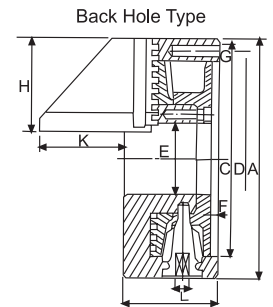
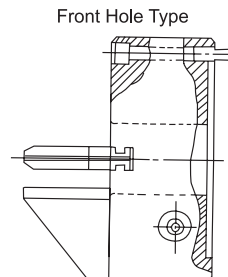
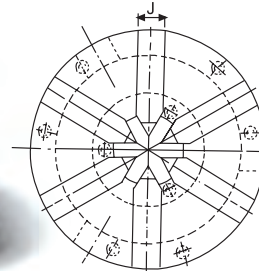
- Compact, Small And Light Weight
- No Wrench Required, Turn To Loose & Lock By Fixing Ring
- Steel Made Body
- Reversible Jaws
- VLBK-Series Is Latest Vertical Clamping Design For CNC, Milling Machine And Machining Center.

## DIMENSIONS

ORDER NO.	A	B	C	D	E	F	G	H	I	J	K	L	Gripping Range		Weight (kgs)	CODE NO.
													O.D. Range	I.D. Range		
VLBK-2	118	28	63	100	16	4	4-M5X0.8P	27	26	8	13	8	ø0.8~ø63	ø23~ø58	1.2	5002-130
VLBK-3	143	37	85	116	20	4	4-M6X1.0P	35	32	11	15	10.5	ø1~ø81	ø31~ø70	2.9	5002-131
VLBK-4	168	39	110	140	26	5	4-M6X1.0P	42	40	14	19	10	ø1~ø100	ø36~ø90	4.6	5002-132
VLBK-5	202	45	130	168	32	6	4-M8X1.25P	50	49	16	21	11.5	ø1.5~ø116	ø43~ø106	6.2	5002-133
VLBK-6	248	52	160	208	50	8	4-M10X1.5P	65	70	19	26	15	ø1.5~ø160	ø52~ø148	11	5002-134



# 6-Jaw Awl Type Chucks



## SPECIFICATIONS

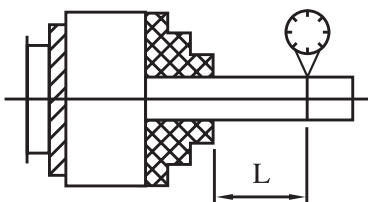
Unit:mm

ORDER NO.	A	B	C	D	E	F	G	H	J	K	L	Gross Weight (kgs)	Max. Speed (r.p.m.)	Max. Gripping Diameter	CODE NO.
														O.D. Clamping	
VAS-4	112	58	80	95	32	4.5	3-M8	45	14	46	8	4.2	1200	ø2-32	5005-011
VAS-6	167	65	130	147	60	5	3-M10	66	19	43	10	9.2	1200	ø3-60	5005-012



# Quality standard For Lathe Chuck

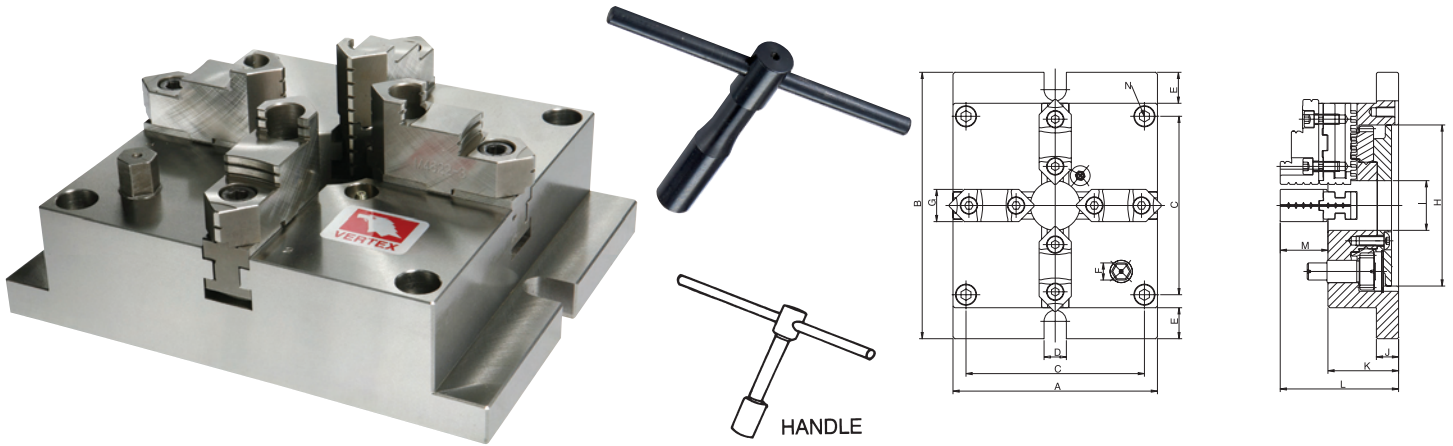
### Accuracy



ORDER NO.	VSC-3,4,5,6,7,8,9,10,12,14,16 VSK-4,5,6,7,8,9,10,12,14,16 VMJ-6,8,10,12,150,200,250,300 VNBK-6,8,10,12	VSC-3A,4A,5A,6A,7A,8A,9A,10A VSC-12A,16A,20A,25A VSK-6A,8A,10A,12A,13A,16A VPS-6A,8A,10A,12A,6AK,8AK VPS-10AK,12AK VSKC-6A,8A,10A,12A VSC-3D,4D,5D,6D,8D,10D VKC-4,5,6,8,10,12B,14,16,20,25 VKC-32,40,50
	TEST ITEM RADIAL RUNOUT	L 0.05 / 50 mm



# Machining Jaw Chuck



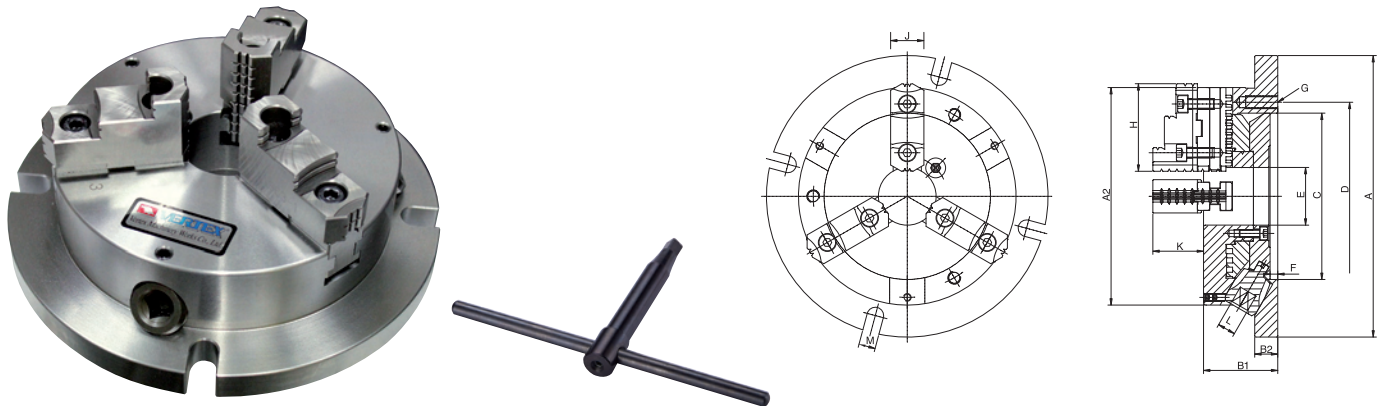
- Works are gripped firmly by the formed jaws. ensuring high precision. (Deviation : within 0.03mm)\* Use forming rings (jaw locks) to form the soft-jaws.
- Large workpieces can be held tight with the low profile vise body.
- Able to grip square works by using this chuck as a two-way jaw unit  
Longitudinal works can also be gripped by using the bore of this chuck.
- A dust cover is provided and this keeps the shavings from entering the machine.
- The handle is set on the face and does not interfere with the table. A number of chucks can be used together.

## SPECIFICATIONS

ORDER NO.	A	B	C	D	E	G	H	I	J	K	L	M	N	MAX. GRIPPING DIAMETER		Gripping Force (kgf)	WEIGHT (kgs)	CODE NO.
														CLAMPING DIA	PROPONG DIA			
VMJ-6	165	215	144	18	25	26	130	40	18	57	96	39	4-M10	Ø4-Ø128	Ø55-Ø128	900	13.5	5002-240
VMJ-8	200	250	174	18	25	28	160	55	20	65	108	43	4-M12	Ø5-Ø162	Ø62-Ø162	1620	21.5	5002-241
VMJ-10	250	310	218	18	30	32	200	70	22	72	122	50	4-M14	Ø6-Ø200	Ø72-Ø200	1800	36.1	5002-242
VMJ-12	310	380	274	22	35	40	260	100	25	85	141	56	4-M16	Ø10-Ø265	Ø90-Ø265	2250	62.8	5002-243



# Super Thin Chucks



- The angle between "HANDLE" AND "BASE OF CHUCK" is 30° degree, There Fore, it is much more convenient for "HANDLE" rotation.
- This "POWER SUPER THIN" design of chuck may increase the "allowable length" of machining operation.
- The flanged type design make it easily for loading and unloading operation. Four locate position 90°.
- "POWERFUL TYPE" design.

## SPECIFICATIONS

Unit:mm

ORDER NO.	Dim	A1	A2	B1	B2	C	D	E	F	G	H	J	K	L	M	Gripping Force (kgf)	Weight (kgs)	Gripping Range		CODE NO.
																		O.D. Range	I.D. Range	
VNBK-6		220	170	58	18	130	147	45	6	3-M10	68	26	40	10	13	1800	12.4	Ø8-160	Ø48-150	5002-070
VNBK-8		270	210	65	20	155	172	60	6	3-M10	82	28	43	11	13	2250	20.2	Ø11-200	Ø62-190	5002-071
VNBK-10		315	255	73	20	190	210	80	6	3-M12	93	32	52	12	16	3150	30.5	Ø12-250	Ø72-240	5002-072
VNBK-12		370	305	80	22	250	285	105	5	3-M12	118	40	59	14	18	3670	46.8	Ø15-300	Ø86-290	5002-073



# Vertical Machining Chucks



**NEW**



● VSK REVERSIBLE TYPE

VMJ-150, 200, 250, 300



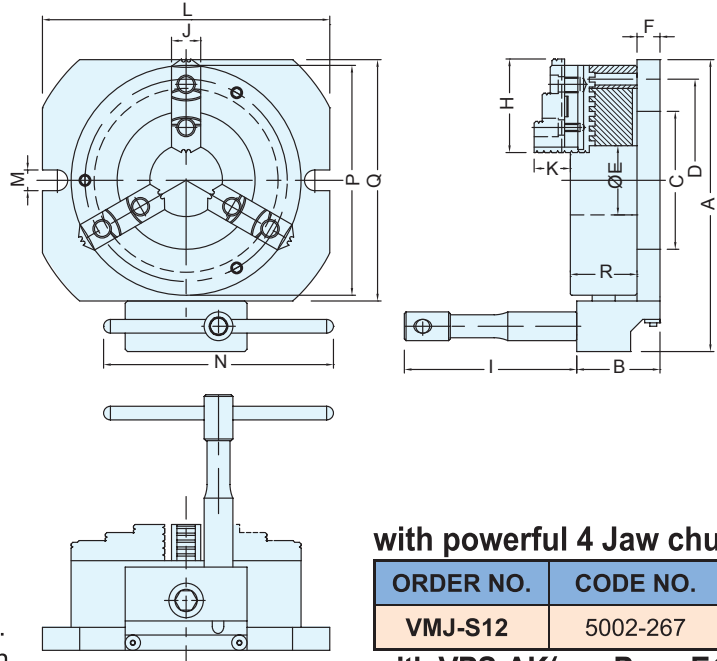
NEW TYPE 3 JAW CHUCK CHANGEABLE

**NEW**

VMJ-B150, B200, B250, B300



● VSC REVERSIBLE TYPE



- Convert 3/4 Jaws chuck into clamping chuck.
- Vertical cutting / locking.
- Large workpieces can be held tight with the low profile vise body.
- 3 Jaws can for round workpiece.
- 4 Jaws can for square workpiece & round workpiece.
- The handle is set on the face and does not interfere with the table. A number of chucks can be used together.
- Suit for MC center, Milling & Boring machine.
- Easy to exchange 3/4 Jaws chuck.

with powerful 4 Jaw chuck

ORDER NO.	CODE NO.
VMJ-S12	5002-267

with VPS-AK(see Page E10)

ORDER NO.	CODE NO.
VMJ-S12AK	5002-273

## VSK TYPE

Unit:mm

ORDER NO.	A	B	C	D	E	F	H	I	J	K	L	M	N	P	Q	R	Gnpping Range		Weight (kgs)	CODE NO.
																	O.D Range	I.D Range		
VMJ-150	219	83	90	147	45	20	72	150	26	39	215	18	200	165	175	67	Ø8-Ø160	Ø55-Ø150	17.7	5002-260
VMJ-200	254	83	120	176	58	20	82	150	28	43	250	18	200	200	200	76.5	Ø8-Ø180	Ø62-Ø170	24.4	5002-261
VMJ-250	327	83	190	250	87	24	100	150	35	50	324	18	200	273	283	87	Ø12-Ø260	Ø80-Ø250	48.7	5002-262
VMJ-300	364	83	220	285	105	24	114	150	40	56	360	18	200	310	320	96	Ø15-Ø300	Ø90-Ø290	63.7	5002-263

## SPECIFICATIONS

Unit:mm

ORDER NO.	A	B	C	D	E	F	H	I	J	K	L	M	N	P	Q	R	Gnpping Range		Weight (kgs)	CODE NO.
																	O.D Range	I.D Range		
VMJ-B150	219	83	90	147	45	20	72	150	19	39	215	18	200	165	175	67	Ø3-Ø160	Ø48-Ø150	18.5	5002-275
VMJ-B200	254	83	120	176	58	20	82	150	21.5	43	250	18	200	200	200	76.5	Ø4-Ø180	Ø56-Ø170	24.9	5002-276
VMJ-B250	327	83	190	250	87	24	100	150	28	50	324	18	200	273	283	87	Ø6-Ø260	Ø70-Ø250	50	5002-277
VMJ-B300	364	83	220	285	105	24	114	150	30	56	360	18	200	310	320	96	Ø10-Ø300	Ø86-Ø290	66.5	5002-278





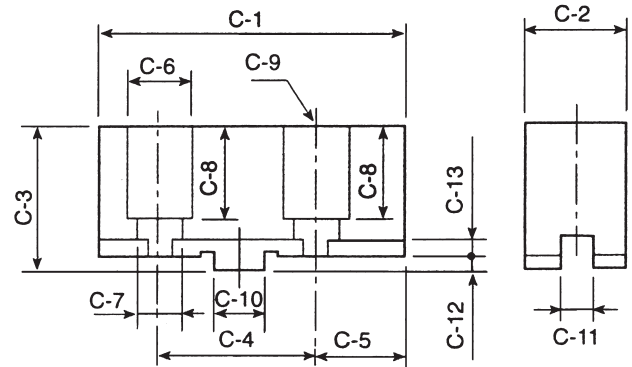
# Soft Jaw For SK-Type Chuck



1. Soft jaw for SK-type chuck. 2. Manufactured in specification  
Can for Japanese brand 3 jaw chuck KITAGAWA, HOWA, VICTOR



3 PCS/SET



Unit:mm

Dim ORDER NO.	C-1	C-2	C-3	C-4	C-5	C-6	C-7	C-8	C-9	C-10	C-11	C-12	C-13	Weight (kgs)	CODE NO.
VSJ-4	52	19	30	24	14	11	7	21	M6	9.53	7.94	2.5	3	0.45	5002-298
VSJ-5	62	24	35	32	15	14	9	24	M8	12.68	7.94	3	3.5	0.9	5002-299
VSJ-6	75	26	38	38.1	18	14	8.5	27	M8	12.68	7.94	3	3.5	1.3	5002-300
VSJ-7	95	31	48	44.45	25	17	11	35	M10	12.68	7.94	3	3.5	3.4	5002-301
VSJ-8	95	31	48	44.45	25	17	11	35	M10	12.68	7.94	3	3.5	2.7	5002-302
VSJ-9	110	37	48	53.98	28	19	13	36	M12	19.03	12.7	3	3.5	3.7	5002-303
VSJ-10	110	37	48	53.98	28	19	13	36	M12	19.03	12.7	3	3.5	3.7	5002-304
VSJ-12	125	40	54	63.5	32	19	13	40.5	M12	19.03	12.7	3	3.5	5.3	5002-305
VSJ-16	160	50	70	76.2	42	25	17	48	M16	19.03	12.7	6	5.5	10.6	5002-306

## THE SPECIAL OF HEIGHT (C-3) FOR VSJ-TYPE IS AVAILABLE

ORDER NO.	MODEL	HEIGHT	CODE NO.
VSJ-6-5	VSJ-6	50H	5002-3005
VSJ-6-6	VSJ-6	60H	5002-3006
VSJ-6-7	VSJ-6	70H	5002-3007
VSJ-6-8	VSJ-6	80H	5002-3008
VSJ-6-9	VSJ-6	90H	5002-3009
VSJ-8-5	VSJ-7 VSJ-8	50H	5002-3025
VSJ-8-6	VSJ-7 VSJ-8	60H	5002-3026
VSJ-8-7	VSJ-7 VSJ-8	70H	5002-3027
VSJ-8-8	VSJ-7 VSJ-8	80H	5002-3028
VSJ-8-9	VSJ-7 VSJ-8	90H	5002-3029
VSJ-9-5	VSJ-9	50H	5002-3035
VSJ-9-6	VSJ-9	60H	5002-3036
VSJ-9-7	VSJ-9	70H	5002-3037
VSJ-9-8	VSJ-9	80H	5002-3038
VSJ-9-9	VSJ-9	90H	5002-3039
VSJ-9-10	VSJ-9	100H	5002-30310
VSJ-9-12	VSJ-9	120H	5002-30312

ORDER NO.	MODEL	HEIGHT	CODE NO.
VSJ-10-5	VSJ-10	50H	5002-3045
VSJ-10-6	VSJ-10	60H	5002-3046
VSJ-10-7	VSJ-10	70H	5002-3047
VSJ-10-8	VSJ-10	80H	5002-3048
VSJ-10-9	VSJ-10	90H	5002-3049
VSJ-10-10	VSJ-10	100H	5002-30410
VSJ-10-12	VSJ-10	120H	5002-30412
VSJ-10-13	VSJ-10	130H	5002-30413
VSJ-12-6	VSJ-12	60H	5002-3056
VSJ-12-7	VSJ-12	70H	5002-3057
VSJ-12-8	VSJ-12	80H	5002-3058
VSJ-12-9	VSJ-12	90H	5002-3059
VSJ-12-10	VSJ-12	100H	5002-30510
VSJ-12-12	VSJ-12	120H	5002-30512
VSJ-12-13	VSJ-12	130H	5002-30513
VSJ-12-15	VSJ-12	150H	5002-30515
VSJ-16-10	VSJ-16	100H	5002-30610
VSJ-16-12	VSJ-16	120H	5002-30612

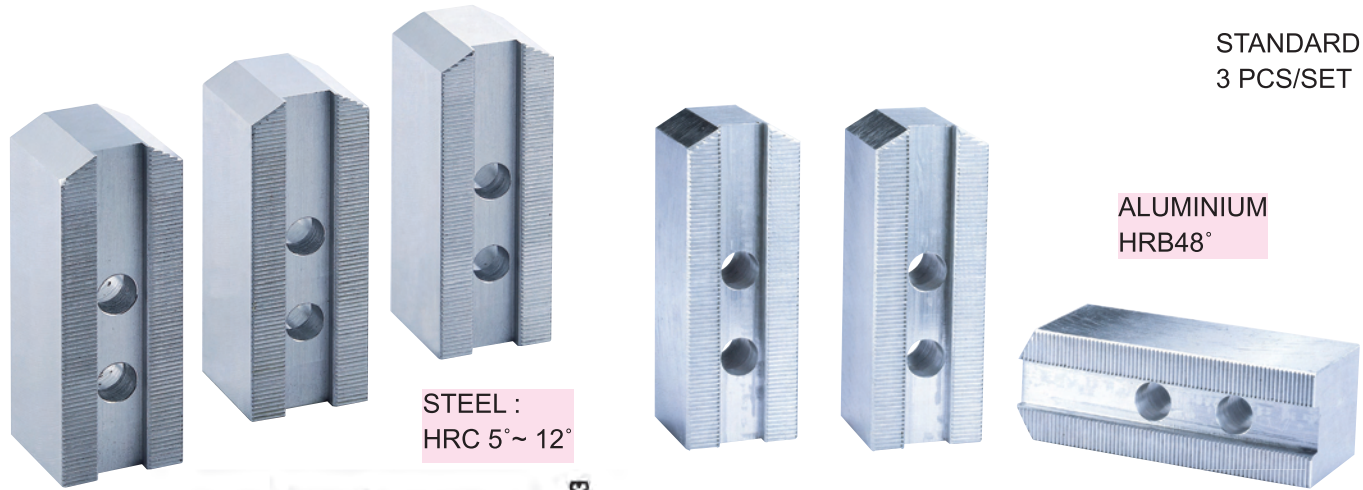
POWER CHUCK



# Soft Jaw For Hydraulic Power Chucks



For Japanese brand JIS & KITAGAWA

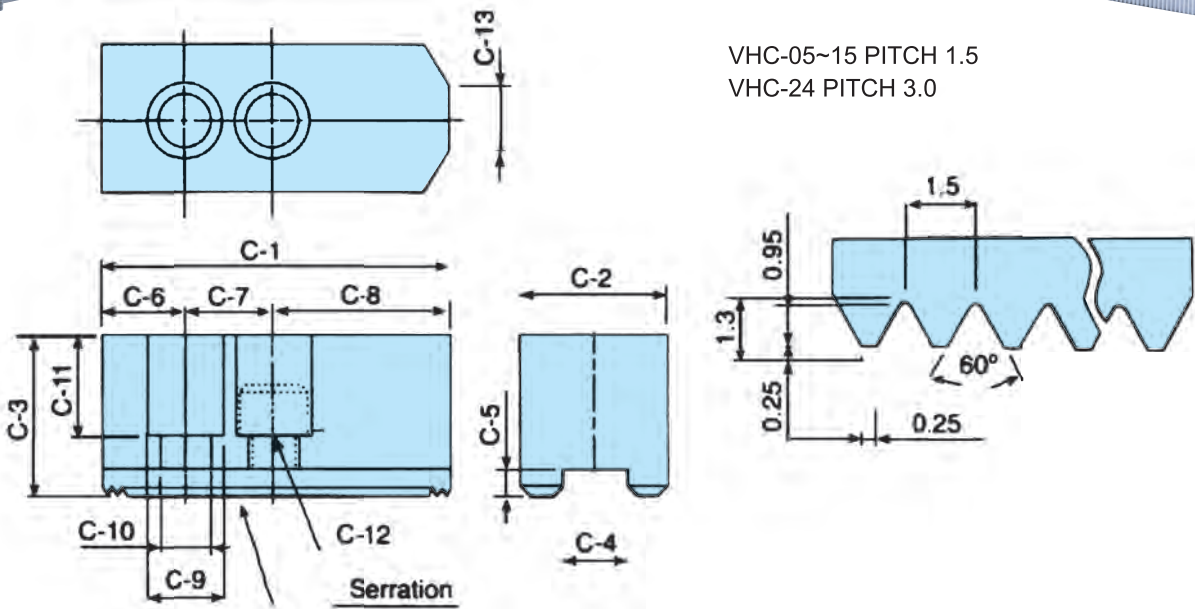


STANDARD  
3 PCS/SET

STEEL :  
HRC 5° ~ 12°

ALUMINIUM  
HRB48°

VHC-05~15 PITCH 1.5  
VHC-24 PITCH 3.0



**MATERIAL: STEEL**

Unit:mm

Dim Order No.	C-1	C-2	C-3	C-4	C-5	C-6	C-7	C-8	C-9	C-10	C-11	C-12	C-13	Weight (kgs)	CODE NO.
VHC-05	62	25	30	10	5	9	14	39	13.5	9	21	M8	5	0.9	5002-330
VHC-06	73	31	36	12	5	15	20	38	17	11	23	M10	14	1.6	5002-331
VHC-08	95	35	37	14	5	24	25	46	19	13	22	M12	16	2.4	5002-332
VHC-10	110	40	42	16	5	30	30	50	19	13	27	M12	18	3.7	5002-333
VHC-12	130	50	50	21	5	39	30	61	25	17	30	M16	23	6.4	5002-334
VHC-15	165	62	62	22	8	37	43	85	32	21	38	M20	-	12.7	5002-335
VHC-12-1	130	50	50	18	5	39	30	61	23	15	30	M14	23	6.25	5002-336
VHC-15-1	165	62	62	25.5	5	37	43	85	32	21	38	M20	-	13	5002-337
VHC-24	180	64	70	25	9	40	60	80	32	21	45	M20	-	17	5002-338

**MATERIAL : ALUMINIUM**

Dim Order No.	C-1	C-2	C-3	C-4	C-5	C-6	C-7	C-8	C-9	C-10	C-11	C-12	C-13	Weight (kgs)	CODE NO.
VHC-5AL	62	25	30	10	5	10	14	38	14	9	20	M8	3		5002-245A
VHC-6AL	73	31	36	12	5	15	20	38	17	11	23	M10	14		5002-246A
VHC-8AL	95	35	37	14	5	24	25	46	19	13	22	M12	16	0.84	5002-250A
VHC-10AL	110	40	42	16	5	30	30	50	19	13	27	M12	18	1.31	5002-251A
VHC-12AL	130	50	50	21	5	40	30	60	25	17	30	M16	23		5002-247A
VHC-15AL	165	62	62	22	8	37	43	85	32	21	37	M20	-		5002-248A
VHC-24AL	180	64	70	25	9	40	60	80	32	21	45	M20	-		5002-249A



For Japanese brand JIS &amp; KITAGAWA

**THE SPECIAL OF HEIGHT (C-3) FOR VHC-TYPE IS AVAILABLE****MATERIAL: STEEL**

ORDER NO.	TYPE	HEIGHT	CODE NO.
VHC-05-5	VHC-05	50H	5002-3305
VHC-05-6	VHC-05	60H	5002-3306
VHC-05-7	VHC-05	70H	5002-3307
VHC-05-8	VHC-05	80H	5002-3308
VHC-06-5	VHC-06	50H	5002-3315
VHC-06-6	VHC-06	60H	5002-3316
VHC-06-7	VHC-06	70H	5002-3317
VHC-06-8	VHC-06	80H	5002-3318
VHC-06-9	VHC-06	90H	5002-3319
VHC-06-10	VHC-06	100H	5002-3320
VHC-06-11	VHC-06	110H	5002-3321
VHC-06-12	VHC-06	120H	5002-3322
VHC-06-13	VHC-06	130H	5002-3323
VHC-06-15	VHC-06	150H	5002-3324
VHC-08-5	VHC-08	50H	5002-3325
VHC-08-6	VHC-08	60H	5002-3326
VHC-08-7	VHC-08	70H	5002-3327
VHC-08-8	VHC-08	80H	5002-3328
VHC-08-9	VHC-08	90H	5002-3329
VHC-08-10	VHC-08	100H	5002-3330
VHC-08-11	VHC-08	110H	5002-3331
VHC-08-12	VHC-08	120H	5002-3332
VHC-08-13	VHC-08	130H	5002-3333
VHC-08-14	VHC-08	140H	5002-3334
VHC-08-15	VHC-08	150H	5002-3334A
VHC-08-16	VHC-08	160H	5002-3334B
VHC-08-18	VHC-08	180H	5002-3334C
VHC-08-20	VHC-08	200H	5002-3334D
VHC-10-5	VHC-10	50H	5002-3335
VHC-10-6	VHC-10	60H	5002-3336
VHC-10-7	VHC-10	70H	5002-3337
VHC-10-8	VHC-10	80H	5002-3338
VHC-10-9	VHC-10	90H	5002-3339
VHC-10-10	VHC-10	100H	5002-33310
VHC-10-11	VHC-10	110H	5002-33311

**MATERIAL : ALUMINIUM**

ORDER NO.	TYPE	HEIGHT	CODE NO.
VHC-05-5-AL	VHC-05AL	50H	5002-2485
VHC-05-6-AL	VHC-05AL	60H	5002-2486
VHC-05-7-AL	VHC-05AL	70H	5002-2487
VHC-05-8-AL	VHC-05AL	80H	5002-2488
VHC-06-5-AL	VHC-06AL	50H	5002-2495
VHC-06-6-AL	VHC-06AL	60H	5002-2496
VHC-06-7-AL	VHC-06AL	70H	5002-2497
VHC-06-8-AL	VHC-06AL	80H	5002-2498
VHC-08-5-AL	VHC-08AL	50H	5002-2505
VHC-08-6-AL	VHC-08AL	60H	5002-2506
VHC-08-7-AL	VHC-08AL	70H	5002-2507
VHC-08-8-AL	VHC-08AL	80H	5002-2508
VHC-10-5-AL	VHC-10AL	50H	5002-2515
VHC-10-6-AL	VHC-10AL	60H	5002-2516
VHC-10-7-AL	VHC-10AL	70H	5002-2517
VHC-10-8-AL	VHC-10AL	80H	5002-2518
VHC-10-9-AL	VHC-10AL	90H	5002-2519
VHC-10-10-AL	VHC-10AL	100H	5002-25110
VHC-12-6A-AL	VHC-12AL 18SLOT	60H	5002-2456A
VHC-12-7A-AL	VHC-12AL 18SLOT	70H	5002-2457A
VHC-12-8A-AL	VHC-12AL 18SLOT	80H	5002-2458A
VHC-12-9A-AL	VHC-12AL 18SLOT	90H	5002-2459A
VHC-12-10A-AL	VHC-12AL 18SLOT	100H	5002-24510A
VHC-12-6-AL	VHC-12AL 21SLOT	60H	5002-2456
VHC-12-7-AL	VHC-12AL 21SLOT	70H	5002-2457
VHC-12-8-AL	VHC-12AL 21SLOT	80H	5002-2458
VHC-12-9-AL	VHC-12AL 21SLOT	90H	5002-2459
VHC-12-10-AL	VHC-12AL 21SLOT	100H	5002-24510
VHC-15-7-AL	VHC-15AL	70H	5002-2467
VHC-15-8-AL	VHC-15AL	80H	5002-2468
VHC-15-9-AL	VHC-15AL	90H	5002-2469
VHC-15-10-AL	VHC-15AL	100H	5002-24610