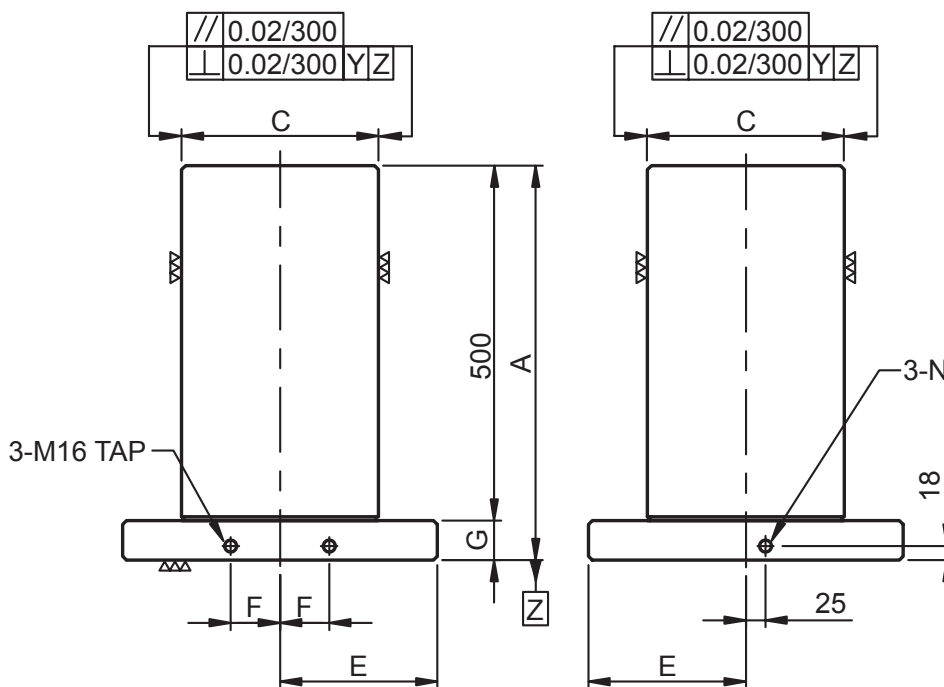
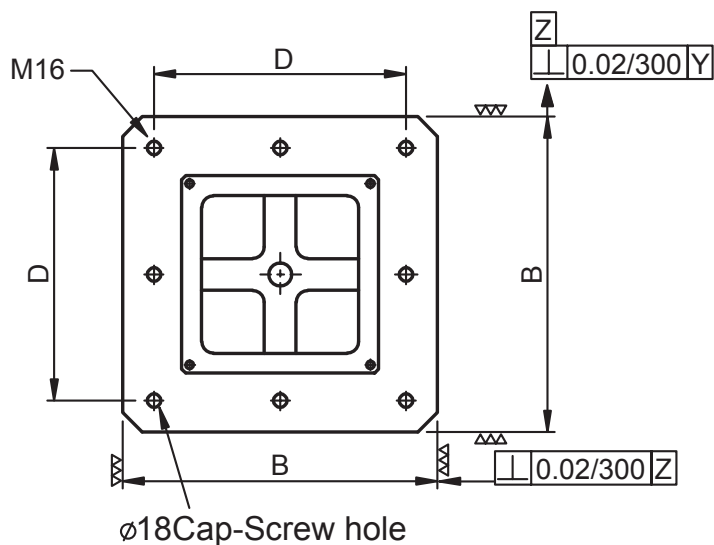
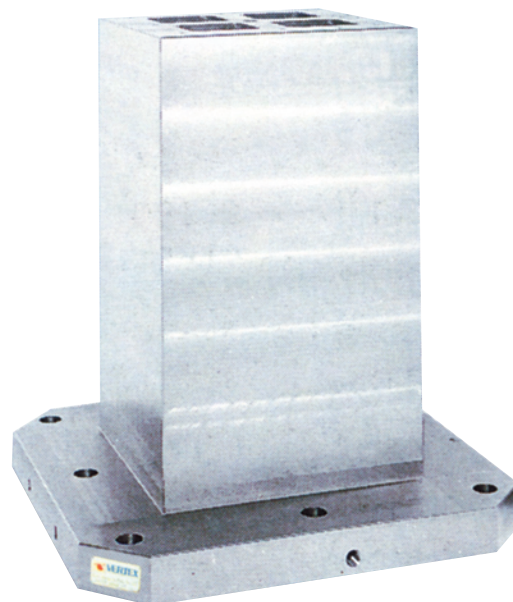




# M/C Clamping Cube



- Material/Finish:  
Material:FC30(JIS)/GG30(DIN)  
Heat treated (Normalized)
- Application:Good for horizontal M/C
- Features:Free to finish an actual required hole pattern for your special jig.
- eye bolt included.
- COLOR MAY VARY



## SPECIAL DESIGN WELCOM

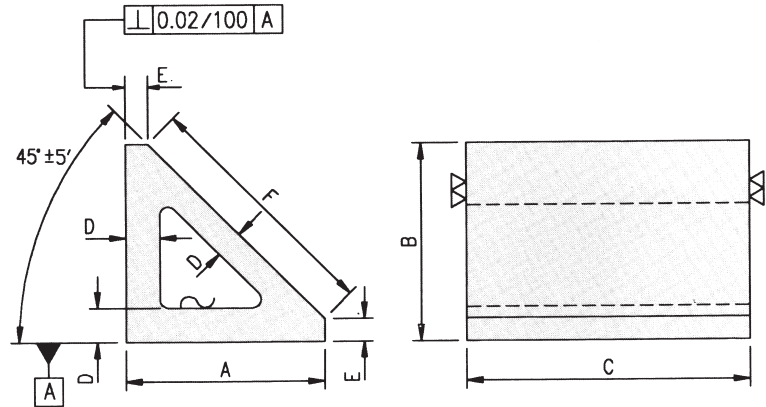
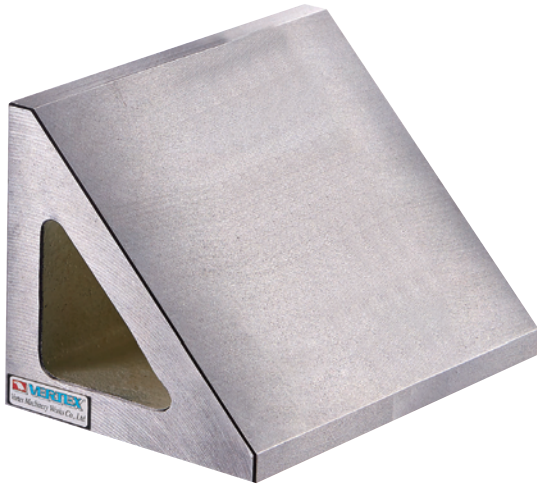
ORDER NO.	A	B	C	D	E	F	G	NO. of Mounting holes	N.W. kgs	CODE NO.
BP07-10	500	400	250	320	200	55	50	4	175	4007-020
BP07-20	600	500	300	400	250	75	50	8	240	4007-021
BP07-30	700	630	350	500	315	100	50	8	390	4007-022
BP07-40	800	800	500	640	400	135	50	8	745	4007-023



# Angular Hollow Block 45°



● COLOR MAY VARY



**Material:** Cast Iron  
FC-300  
GG-30

ORDER NO.	A	B	C	D	E	F	N.W. kgs	CODE NO.
BC45-15	100	100	150	14	10	127	4.5	4007-030
BC45-30	100	100	300	14	10	127	8.8	4007-031
BC45-151	200	200	150	22	20	255	15.0	4007-032
BC45-301	200	200	300	22	20	255	29.0	4007-033

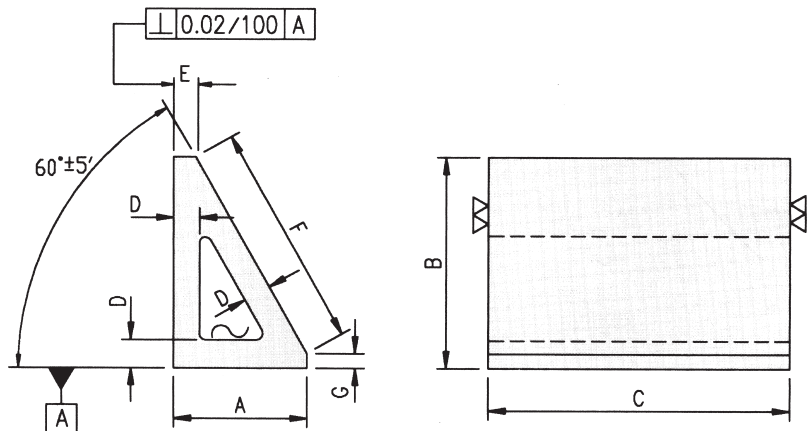
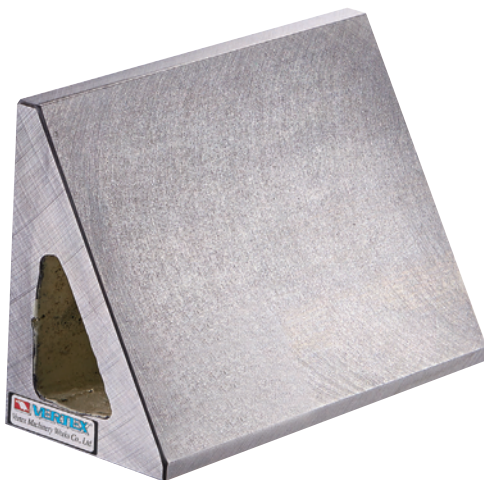
ANGULAR HOLLOW BLOCK



# Angular Hollow Block 30°

● COLOR MAY VARY

T-SLOT TYPE



**Material:** Cast Iron  
FC-300  
GG-30

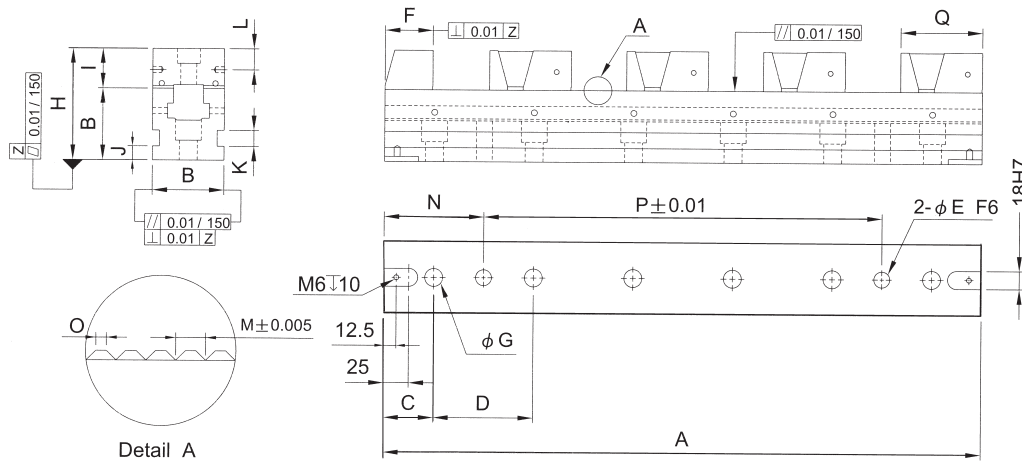
ORDER NO.	A	B	C	D	E	F	G	N.W. kgs	CODE NO.
BC30-15	63	100	150	12	9	108	6	3.0	4007-040
BC30-30	63	100	300	12	9	108	6	6.0	4007-041
BC30-151	125	200	150	20	14	222	8	9.5	4007-042
BC30-301	125	200	300	20	14	222	8	19.0	4007-043



# Flexible Line Up Vice



**STANDARD STYLE**  
**4 POSITION FOR EACH ITEM.**



ORDER NO.	A	B $\pm 0.01$	C	D	E	F	G	H	I	J	K	L	M	N	O	P	Q	KG	CODE NO.
VFS-5030	300	50	30	80	12	36	14	75	24.8	10	12	12.5	1.5	70	0.5	160	60	6.5	4007-050
VFS-5030G			50	100										100		100			4007-051
VFS-5040	400	50	40	80	12	36	14	75	24.8	10	12	12.5	1.5	80	0.5	240	60	8.5	4007-052
VFS-5040G			50	100										100		200			4007-053
VFS-5050	500	50	50	80	12	36	14	75	24.8	10	12	12.5	1.5	90	0.5	320	60	10	4007-054
VFS-5050G			100	100										300		4007-055			
VFS-5060	600	50	60	80	12	36	14	75	24.8	10	12	12.5	1.5	100	0.5	400	60	11.5	4007-056
VFS-5060G			50	100										400		4007-057			
VFS-5070	700	50	70	80	12	36	14	75	24.8	10	12	12.5	1.5	110	0.5	480	60	13	4007-058
VFS-5070G			50	100										500		4007-059			
VFS-7240	400	72	50	100	16	48	18	110	39.7	14	16	21.3	2.0	100	0.7	200	82	19	4007-060
VFS-7250	500	72	50	100	16	48	18	110	39.7	14	16	21.3	2.0	100	0.7	300	82	25	4007-061
VFS-7260	600	72	50	100	16	48	18	110	39.7	14	16	21.3	2.0	100	0.7	400	82	27	4007-062
VFS-7270	700	72	50	100	16	48	18	110	39.7	14	16	21.3	2.0	100	0.7	500	82	30	4007-063

**Clamping force**

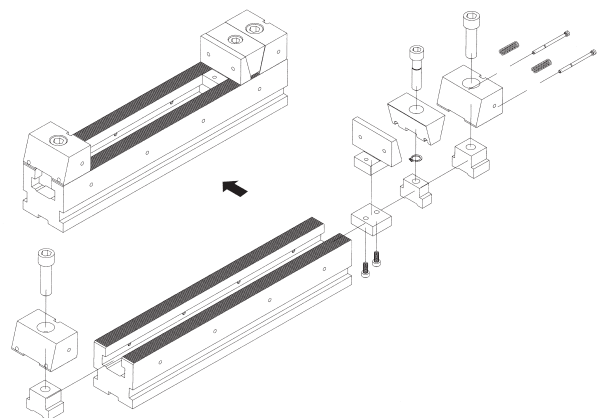
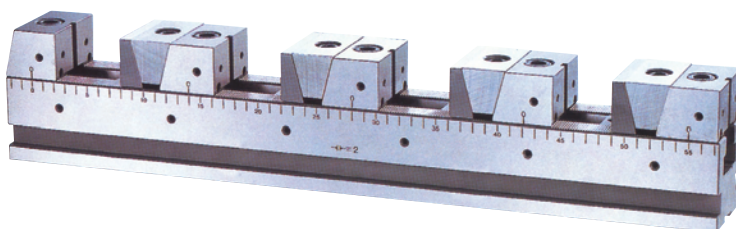
**MAX. Clamp force (kgs)**

**VFS-50□□ : 1000 kgs**

**VFS-72□□ : 2000 kgs**

**Material : tool steel**

**Hardness : over HRC55**

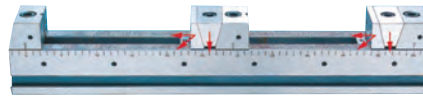




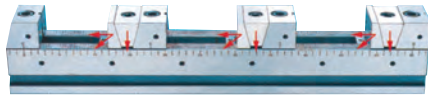
# Flexible Line UP Vice



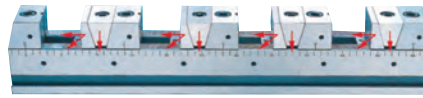
one workpieces



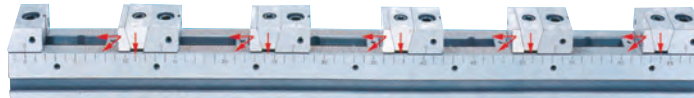
two workpieces



three workpieces



four workpieces

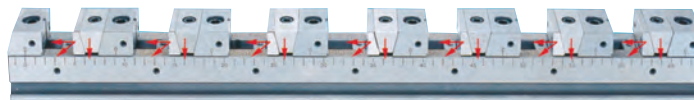


five workpieces

ONE WAY FIX JAW TYPE



six workpieces



seven workpieces

FLEXIBLE LINE UP VICE

## Maximum width of the workpieces can be clamped

ORDER NO.	One workpiece	Two workpieces	Three workpieces	Four workpieces
VFS-5030	203	71	27	--
VFS-5040	303	121	60	30
VFS-5050	403	171	94	55
VFS-5060	503	221	127	80
VFS-5070	603	271	160	105
VFS-7240	269	93	35	--
VFS-7250	369	143	68	30
VFS-7260	469	193	101	55
VFS-7270	569	243	135	80

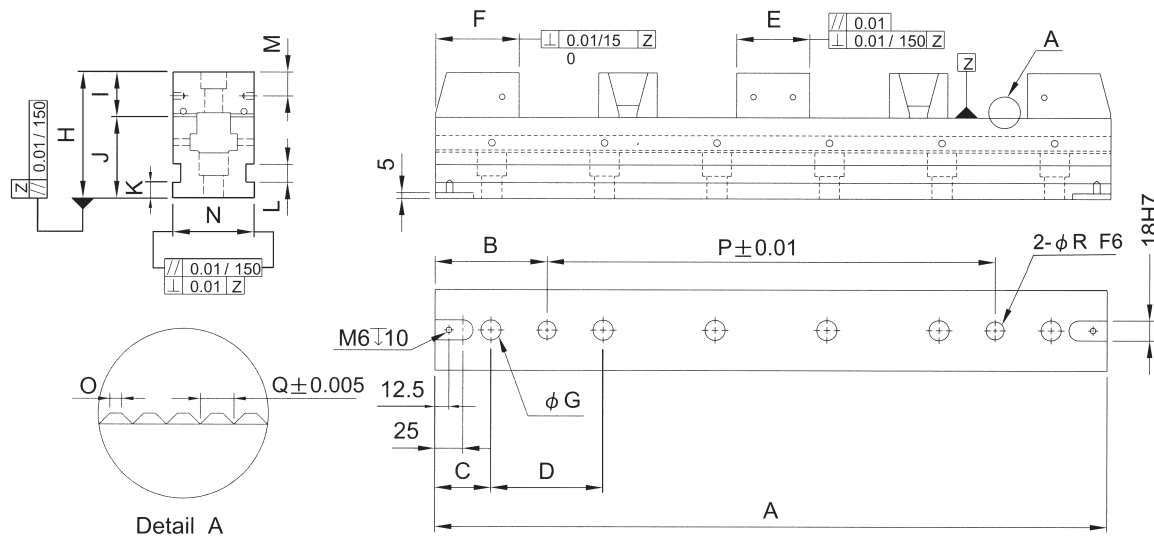
ORDER NO.	Five workpiece	Six workpiece	Seven workpiece	Eight workpiece	Nine workpiece
VFS-5030	--	--	--	--	--
VFS-5040	--	--	--	--	--
VFS-5050	32	16	--	--	--
VFS-5060	52	33	20	--	--
VFS-5070	72	50	34	22	13
VFS-7240	--	--	--	--	--
VFS-7250	--	--	--	--	--
VFS-7260	28	--	--	--	--
VFS-7270	48	26	--	--	--



# Flexible Line UP Vice

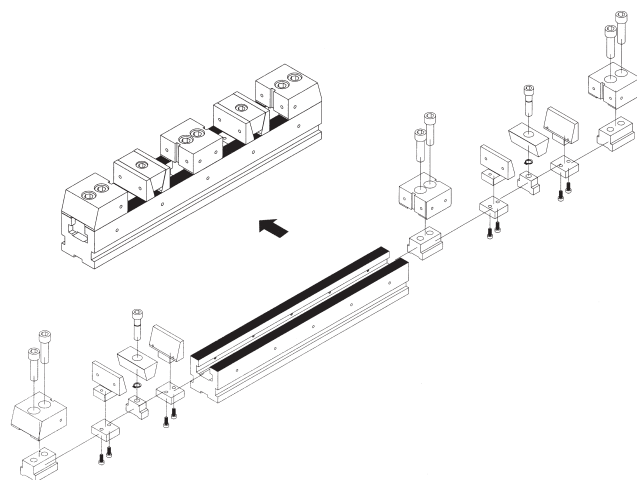
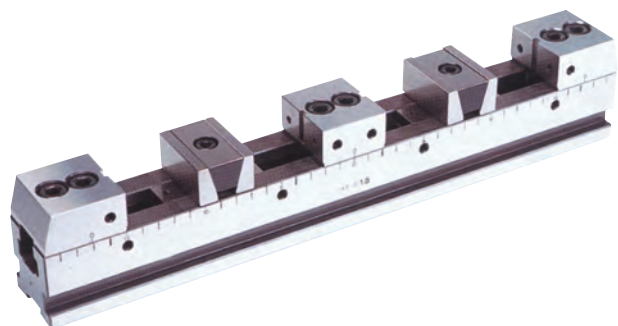


**STANDARD STYLE**  
**4 POSITION FOR EACH ITEM.**



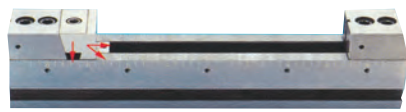
ORDER NO.	A	B	C	D	E	F	G	H	I	J	K	L	M	N	O	P	Q	R	KG	CODE NO.
VFL-5030	300	70	30	80	44	50	14	75	24.8	50	10	12	12.5	50	0.5	160	1.5	12	7	4007-080
VFL-5030G		100	50	100												100				4007-081
VFL-5040	400	80	40	80	44	50	14	75	24.8	50	10	12	12.5	50	0.5	240	1.5	12	7.6	4007-082
VFL-5040G		100	50	100												200				4007-083
VFL-5050	500	90	50	80	44	50	14	75	24.8	50	10	12	12.5	50	0.5	320	1.5	12	9	4007-084
VFL-5050G		100	50	100												300				4007-085
VFL-5060	600	100	60	80	44	50	14	75	24.8	55	10	12	12.5	50	0.5	400	1.5	12	11	4007-086
VFL-5060G		50	100	4007-087																
VFL-5070	700	110	70	80	44	50	14	75	24.8	50	10	12	12.5	50	0.5	480	1.5	12	12	4007-088
VFL-5070G		100	50	100												500				4007-089
VFL-7240	400	100	50	100	65	75	18	110	39.7	72	14	16	21.3	72	0.7	200	2.0	16	19	4007-090
VFL-7250	500	100	50	100	65	75	18	110	39.7	72	14	16	21.3	72	0.7	300	2.0	16	27	4007-091
VFL-7260	600	100	50	100	65	75	18	110	39.7	72	14	16	21.3	72	0.7	400	2.0	16	25	4007-092
VFL-7270	700	100	50	100	65	75	18	110	39.7	72	14	16	21.3	72	0.7	500	2.0	16	27.5	4007-093

**Material: tool steel**  
**Hardness: over HRC55**

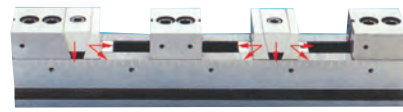




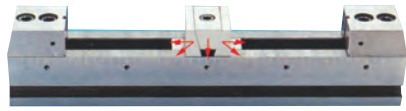
# Flexible Line UP Vice



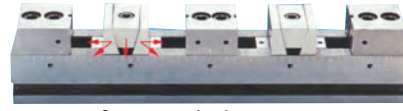
one workpieces



three workpieces



two workpieces



four workpieces



five workpieces

TOW WAY FIX JAW TYPE



six workpieces



seven workpieces

FLEXIBLE LINE UP VICE

## Maximum width of the workpieces can be clamped

ORDER NO.	One workpiece	Two workpieces	Three workpieces	Four workpieces	Five workpieces
VFL-5030	176	82	32	21	--
VFL-5040	276	132	65	46	23
VFL-5050	376	182	98	71	43
VFL-5060	476	232	132	96	63
VFL-7240	217	100	33	20	--
VFL-7250	317	150	65	45	16
VFL-7260	417	200	100	70	36
VFL-7270	517	250	133	95	56

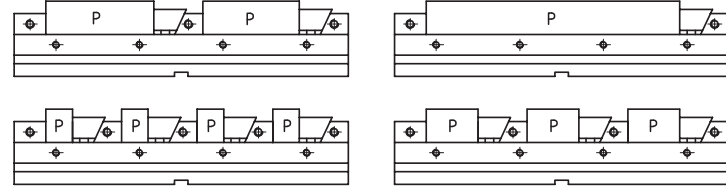
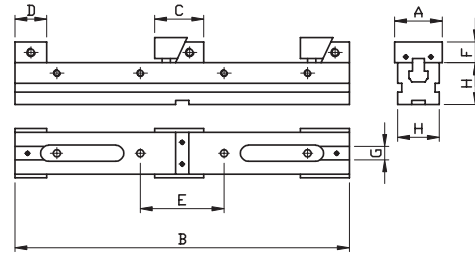
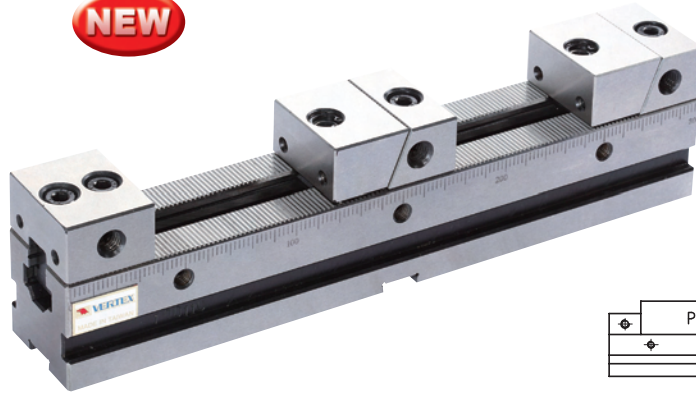
ORDER NO.	Six workpiece	Seven workpieces	Eight workpieces	Nine workpieces	Ten workpieces	Eleven workpieces
VFL-5030	--	--	--	--	--	--
VFL-5040	17	--	--	--	--	--
VFL-5050	34	19	15	--	--	--
VFL-5060	50	33	28	17	14	--
VFL-7240	--	--	--	--	--	--
VFL-7250	--	--	--	--	--	--
VFL-7260	27	--	--	--	--	--
VFL-7270	44	23	18	--	--	--



# Flexible Line UP Vice



**NEW**



ORDER NO.	B	H	A	C	D	E	F	G	1P	2P	3P	4P	KGS	SCREW	CODE NO.
VFN-6030	300	50	59	55~58	38	100	25	16	208	75	30	8	7	M8	4007-131
VFN-6040	400								305	125	64	33	9		4007-132
VFN-6050	500								408	175	96	58	10		4007-133
VFN-6060	600								508	225	129	83	12		4007-134
VFN-6070	700								608	275	162	108	14		4007-135
VFN-8540	400	75	84	70~75	50	40	40	16	275	100	41	12	22	M10	4007-136
VFN-8550	500								375	150	75	37	26		4007-137
VFN-8560	600								475	200	108	62	30		4007-138
VFN-8570	700								575	250	141	87	33		4007-139
VFN-8580	800								675	300	174	102	37		4007-140

## Maximum width of the workpieces can be clamped

ORDER NO.	One workpiece	Two workpieces	Three workpieces	Four workpieces
	1P	2P	3P	4P
VFN-6030	208	75	30	8
VFN-6040	305	125	64	33
VFN-6050	408	175	96	58
VFN-6060	508	225	129	83
VFN-6070	608	275	162	108
VFN-8540	275	100	41	12
VFN-8550	375	150	75	37
VFN-8560	475	200	108	62
VFN-8570	575	250	141	87
VFN-8580	675	300	174	102