

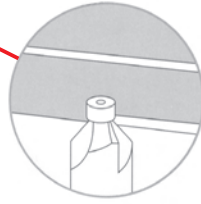
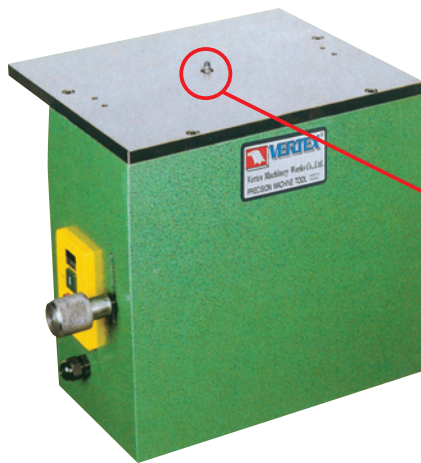


Chamfering & Deburring Unit



ORDER NO.VCF-300A CODE NO.1023-007

NEW



SPECIFICATION

Accessory	Carbide end mills
Machine size	L330mm x W330mm x H300mm
Voltage	1Ø, 220V; 50Hz/60Hz
Speed	0~12000 r.p.m.
Distance of Bevel	0~3mm
Bevel angle	45°
N.W. / G.W.	40kgs / 42kgs
Box size	550mm x 440mm x 380mm
Measurement	3.4 Square feet
Motor	1HP
Track Size	300mm x 250mm x 10mm

- Process by carbide end mill.
- The range of chamfer: inner dia. 6mm, inner gap width 6mm and 3R arc.
- The chamfer a bility by: 2C/2R.
- The adjustable speed (0-12000 r.p.m.) can use for all kinds of materials cutting. (except harden parts)
- This machine was designed for regular and irregular parts such as curved surface, inner gap, and complex of inner and outer parts.
- All bevel angle comes to 45° by 45° carbide end mill.

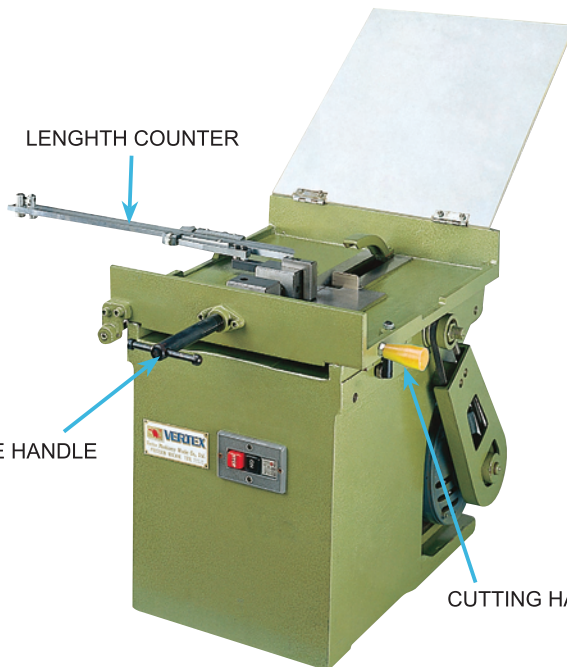
※ Please confirm voltage & phase when order.



Ejector Pin Cutting-off Unit

ORDER NO.VEC-100 CODE NO.1024-001

A PRECISE & SHARP CUTTING TOOL FOR MOULD MAKING LINE



LENGTH COUNTER

VICE HANDLE

CUTTING HANDLE

Features

- Moveable shaft bearing easy operation, safety.
 - For cutting ejector pin of mould. or machine key, round rod.
 - Heat-Treatment materials. Good-Looking cutting surface of stainless steel.
 - Handle device according law of lever, it's easy to move on.
 - Cause no vibration, no dust and noiseless.
 - Easy to exchange the emery wheel.
- ※ Please confirm voltage & phase when order.

ABLE TO CUT ALL THE MATERIAL WITH PLANE SURFACE ALMOST

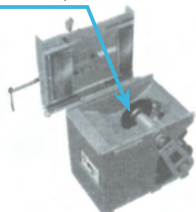
SPECIFICATION

Unit:mm

Max. Cutting capacity	Ø25x300L
Cutting tolerance	20 ± 0.10MM
Cut-off sander lamina	150MM (O.D.)
	1MM (THICK) 19.05MM (HOLE)
R.P.M.	3600
Motor	1/2HP
Measure rule	300MM
Weight (approx.)	94.5KGS
Machine size	620x420x450MM
Packing size	720x520x600MM

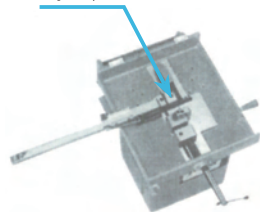
STANDARD ACCESSORIES

Emery wheel (Ø150x1x19.05mm) 5 PCS



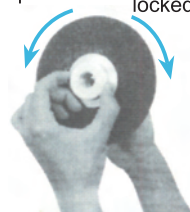
LARGE & SMALL V SLOT

(For clamping round object)



EMERY WHEEL ASSEMBLY BY HAND

opened locked tightly



PLEASE NOTIFY THE VOLTAGE & PHASE, WHEN YOU ORDERING.



Rods Precision Cutting-Off And End Surface Grinding Unit



RODS CUTTING



ORDER NO.	CODE NO.	N.W.	G.W.
VEC-300G	1024-010	89	109
VEC-500G	1024-011	92	115
VEC-600G	1024-012	95	118



For Clamping



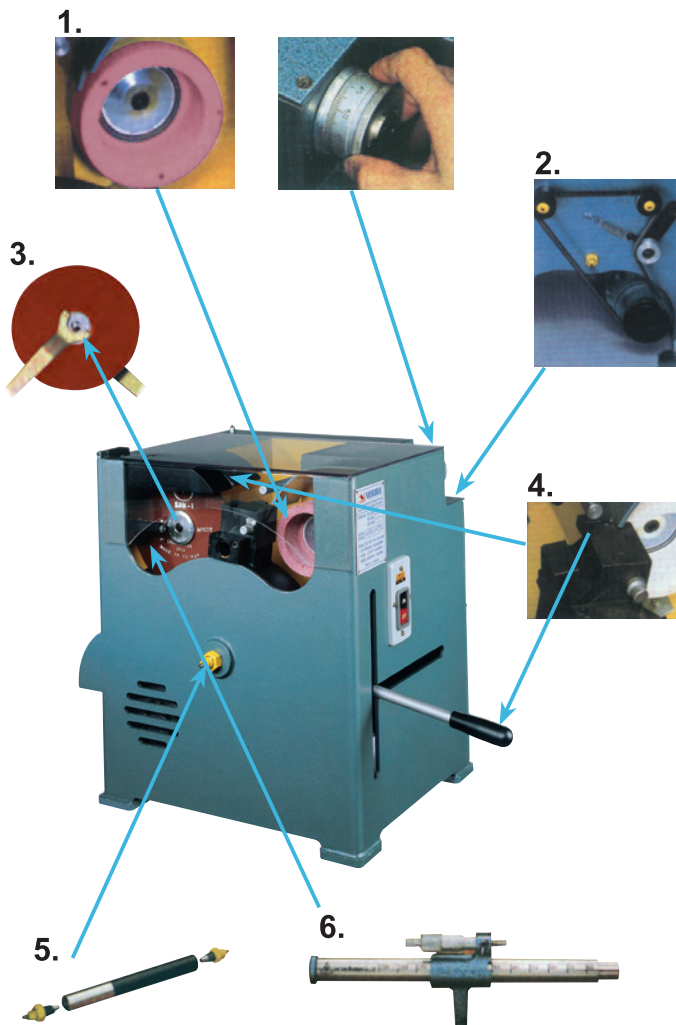
For Cutting & Grinding

Features

- During operation, the grinding sander may be micro adjusted and repaired without changing its dimensions.
- The tightness of belt may be automatically adjusted and controlled (the larger the resistance, the tighter the belt.)
- The dimensions precision of cutting off the length of working piece are not subject to the effect of the difference of thickness of cutting-off sander piece.
- The rapid chuck is used to hold the working piece in place, opening or closing it is very quick, and Ø1-25mm is the same.
- When operation, a shaft with two tapered ends is used for transmission and characterized by high stability low wearing rate and long life.
- The rapid positioning rule is in the unit of 20mm and provided with a micro rule (0mm to 25mm) of which the zeroing point is the dimensions at the rapid positioning point.
- The minimum of cutting length FORM THE HOLDING UNIT is 60mm.

SPECIFICATION

Cut-off precision	25mmø x 300mm ± 0.01
Right-angle precision	25mmø x 90° ±0.01
Cut-off sander lamina	1mm t x 180mmø (Hole) 31.8mmø
Grinding sander surface	27A/PA46IJ x100 x 50 x 20
R.P.M.	3600
Motor	1HP 110/220V 1 or 3 phase
Capacity	VEC-300G 300mm VEC-500G 500mm VEC-600G 600mm
Machine Size	VEC-300G/500G 600 X 550 X 660 mm VEC-600G 600 X 550 X 720 mm



The measure rule

- The length of measure: 300mm is for VEC-300G
500mm is for VEC-500G
600mm is for VEC-600G
Except the measure rule length is different, all items of body are same.
- Please notify the voltage & phase, when you ordering



Dustproof Halogen Lamp Beam



WATER PROOF UNIVERSAL TYPE



VHL-300 SERIES

- LIGHT IP67
- ARM IP20

SPECIFY:
110V / 55W
220V / 55W
380V / 55W
24V / 70W

※ PLEASE CONFIRM
VOLTAGE & PHASE WHEN ORDER



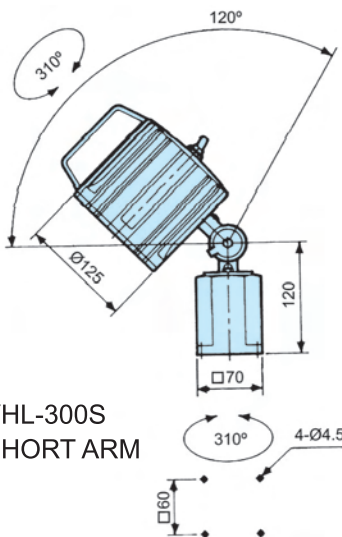
VHL-300S



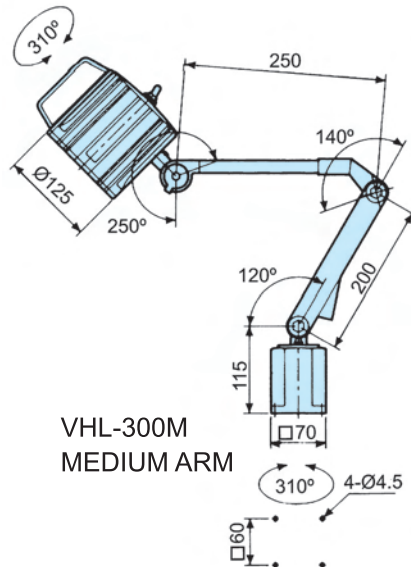
VHL-300M



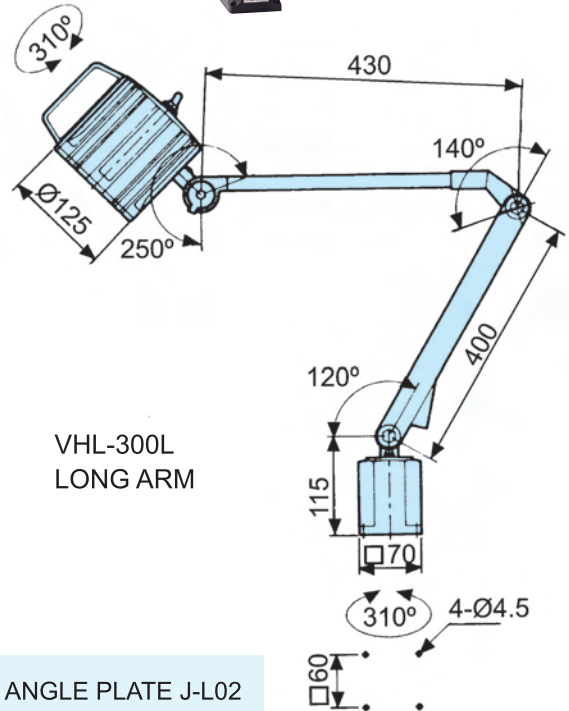
VHL-300L



VHL-300S
SHORT ARM

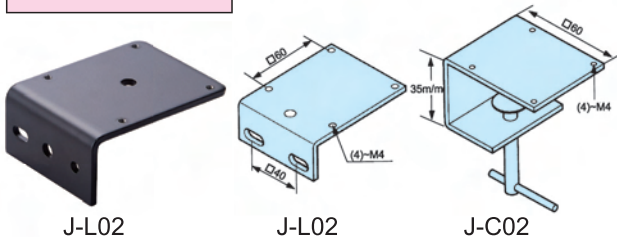


VHL-300M
MEDIUM ARM



VHL-300L
LONG ARM

● OPTIONAL ●



J-L02

J-L02

J-C02

- MOUNTING ANGLE PLATE J-L02
- MOUNTING CLAMP J-C02

Totally enclosed lighting head provides well prevention for explosion, dust, coolant, and lubricants.

Uses efficient quartz halogen bulb, great light output, soft illuminating without irritating to the eyes.

Features

- Coil transformer built in base for directly connect to voltage of Ac power. (110V, 220V, 380V, 24V...)
- Specify voltage as desired when ordering.
- It accepts bulb 55W
- Furnished with 1.8 meter cord with plug.
- Fitted with coil transformer resisting unstable voltage.
- Long service life.
- with water proof articulated arm.
- ※ Please confirm voltage & phase when order.

Unit:mm

ORDER NO.	ARM LENGTH L x l	WEIGHT (kg)	CODE NO.
VHL-300L	430x400	2.4	1025-001
VHL-300M	250x200	2.1	1025-002
VHL-300S	1 JOINT	2.3	1025-003
J-L02		0.3	1025-004
J-C02		0.5	1025-005



Dustproof Halogen Lamp Beam



VERTEX

WATER PROOF UNIVERSAL TYPE



- LIGHT IP67
- ARM IP65

LAMP BEAM



VHL-300LR



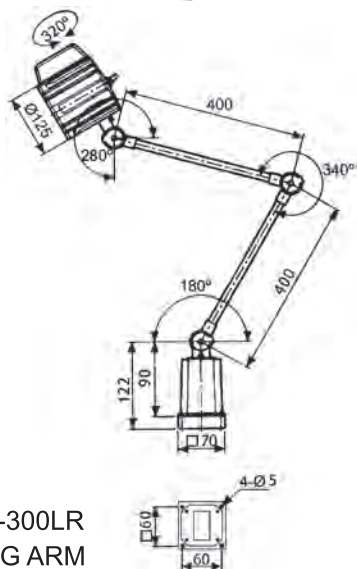
VHL-300MR



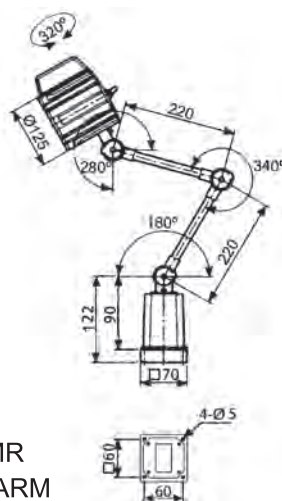
VHL-300SR



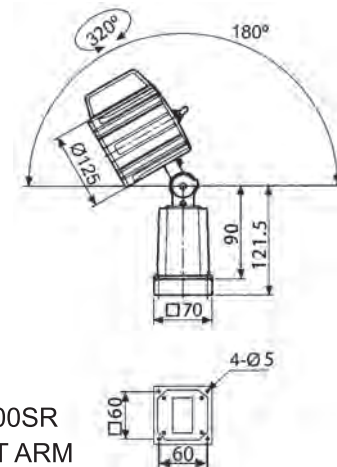
VHL-300 1/2MR



VHL-300LR
LONG ARM

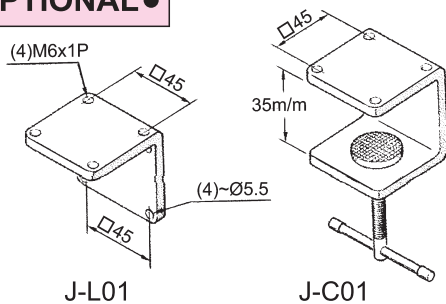


VHL-300MR
MEDIUM ARM



VHL-300SR
SHORT ARM

OPTIONAL



J-L01

J-C01

- MOUNTING ANGLE PLATE J-L01
- MOUNTING CLAMP J-C01

Totally enclosed lighting head provides well prevention for explosion, dust, coolant, and lubricants.

Uses efficient quartz halogen bulb, great light output, soft illuminating without irritating to the eyes.

※ Please confirm voltage & phase when order.

Features

- Coil transformer built in base for directly connect to voltage of Ac power. (110V, 220V, 380V.....)
- Specify voltage as desired when ordering.
- It accepts bulb 50W, 55W, 70W.
- Furnished with 1.8 meter cord with plug.
- Fitted with coil transformer resisting unstable voltage.
- Long service life.
- With Water proof articulated arm.
- Round tube arm provides great lighting angles.
- IP65

Unit:mm

ORDER NO.	ARM LENGTH L x l	WEIGHT (kg)	CODE NO.
VHL-300LR	400x400 (With Water proof)	4.4	1025-010
VHL-300MR	200x200 (With Water proof)	3.6	1025-011
VHL-300SR	1 JOINT (With Water proof)	2.9	1025-012
VHL-300 1/2MR	200 (With Water proof)	3.4	1025-013
J-L01		0.6	1025-014
J-C01		0.4	1025-015



Quartz Halogen Lamp Beam



UNIVERSAL TYPE

- Gooseneck arm for smooth lighting angle adjustment.
- Lighting reaches any direction.

VHL-20FT SERIES

- Engineering plastic shade and base provides complete insulation for maximum operator safety.
- Power source available: Any voltage on customer's request. Such as 110V, 220V, 240V, 380V, 415V.
- Transformer built in base.
- Accept 20, 35 and 50 watt bulb. Included with 20 watt bulb, 35 and 50 watt bulb on request.
- Furnished with 1.8 meter (70") cord.
- Available with magnetic base. (optional)
- Engineering mounting angle plate. (optional)
- Double shades designed permits fast heat dissipation.

VHL-20F SERIES

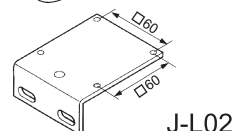
- The quartz halogen lamp has great light output, soft illuminating without irritating to the eyes.
- Low voltage 12 or 24 volt operation without danger of electric shock.
- The articulated arm provides vibration resistance performance.
- Use top quality electric components.
- Accept 20, 35, 50 watt bulb. Included with 20 watt bulb, 35 and 50 watt bulb on request.
- Complete with 1.8 meters (70") cord.
- Economical model, jet quality constructed.
- Ideally suited to machine tools and machinery without big working area.
- Engineering plastic shade and base provides complete insulation.
- IP20



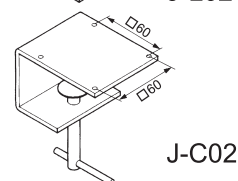
● **OPTIONAL** ●



J-M01



J-L02



J-C02

- MAGNETIC SEAT
- MOUNTING CLAMP J-C02
- MOUNTING ANGLE PLATE J-L02

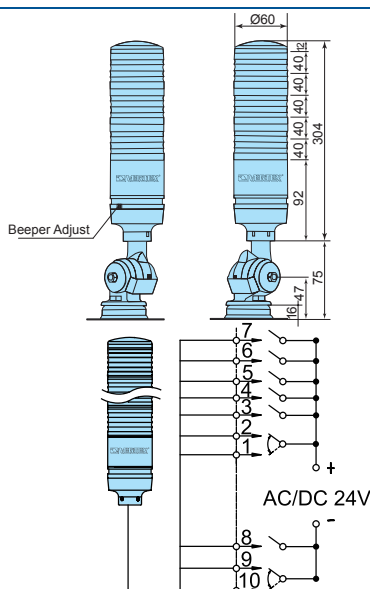


ORDER NO.	WEIGHT(kg)	CODE NO.
VHL-20FT	1.6	1025-020
VHL-20F	1.1	1025-021
J-M01	0.6	1025-006
J-L02	0.3	1025-004
J-C02	0.5	1025-005

※ Please confirm voltage & phase when order.



Water - Proof Bright LED Signal Light



- Suit for machine tools & etc, show singal of machine process
- Good for automatic Processing line multi angle
- Double layer lamp shade high illumination LED water & dust proof-steam 360° lighting without shade
- Signal light with feature of multi-function, water proof.
- Lamp of signal light, adopted high efficient LED bulb.

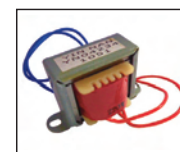
※ Please confirm voltage when order.

NO.	Color	Function	NO.	Color	Function
1	Purple	Contiuous Beeper	6	Blue	Blue light
2	Walnut	Snatchy Beeper	7	White	White light
3	Green	Green light	8	Black with white	Beeper
4	Yellow	Yellow light	9	Gray	Flashless
5	Red	Red light	10	Black	Flashing

ORDER NO.	Bulb	Leight Diameter	Enclosure IP	Weight (kgs)	CODE NO.
VLED-SL	24V 0.75W	60mm	IP54	0.77	1025-026

● **OPTIONAL** ● Transformer 220V → 24V

ORDER NO.	WEIGHT (kg)	CODE NO.
VLED-SL-TF	0.12	1025-027

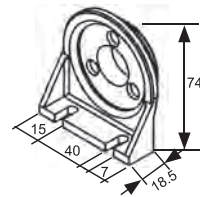




Water-proof Reflector LED Lamp



NEW



BRACKET

- The products wide illumination range and brightness makes it suitable for areas requiring wide-range illumination. it is suitable for various machine tools when installed on different mounts, particularly machine tools within closed operating environments.
- Enclosure IP : IP67
- Wide illuminating range suit for various machine tools. Water proof & dust proof good for under ground environment.
- The protective cover is waterproof and dustproof, the lamp is conducive for subways, mines, and tunnel environments.

ORDER NO.	VOLTAGE	LAMP LENGTH	BULB	UMINATION DISTANCE	WEIGHT (KGS)	CODE NO.
VLED-W13	100V ~ 240V	448 mm	12W	0.5 m / 500 lux	2.2	1025-058
VLED-W18	100V ~ 240V	520 mm	12W	0.85m / 500 lux	2.5	1025-058A
VLED-W36	100V ~ 240V	734 mm	24W	1.10 m / 500 lux	3.5	1025-059

※ Color Temperature: 5500 K-6000 K

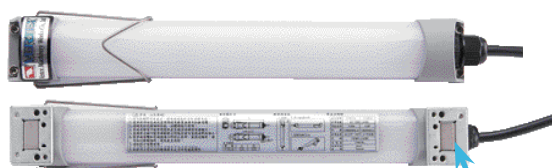
※ Please confirm voltage & phase when order.



Workshop LED Lamp

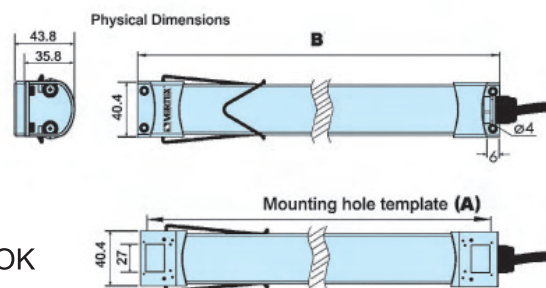
NEW

WATER RESIST



MAGNETIC FOR HOOK

MAGNETIC FOR HOOK



- For garage & workshop
- Light weight & durable
- 3 attach way : magnet, hook & stand
- IP67 water proof
- Angle 120°
- Samsung 5630LED
- 5300 K

ORDER NO.	A	B
VLED-1080	290	300
VLED-2160	510	520

ORDER NO.	VOLTAGE	LAMP LENGTH	BULB	l m	UMINATION DISTANCE	WEIGHT KGS)	CODE NO.
VLED-1080	110V ~ 240V	300 mm	7.5W	1080 lm	0.65 m / 500 lux	0.61	1025-080
VLED-2160	110V ~ 240V	520 mm	15W	2160 lm	1.0 m / 500 lux	1.07	1025-081



Cool Light Beam

WATER RESIST

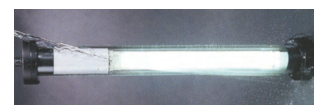
D SERIES



DB SERIES



- Outstanding Water-resist Performance



- Suited for machine lighting. indoor and outdoor lighting.
 - Cool lighting performance.
 - Anti-crack lamp.
 - Swivelling mounting bracket (optional).
 - Accommodates power source 110V or 220V. single voltage only.
 - Specify HZ and voltage when ordering.
 - The outer tube is manufactured from acrylic. When requested,the glass outer tube is available.
 - Furnished with 1.8 meter (70") cord.
- ※ Please confirm voltage & phase when order.

Separate ballast series

ORDER NO.	LAMP LENGTH	BULB LENGTH	WATT	DIA	WEIGHT (kg)	CODE NO.
VHL-W36D/PL	621mm	385mm	36	70mm	2.9	1025-034

Built-in ballast series

ORDER NO.	LAMP LENGTH	BULB LENGTH	WATT	DIA	WEIGHT (kg)	CODE NO.
VHL-W15DB	717mm	436mm	15	70mm	3.5	1025-041
VHL-W18DB/PL	525mm	195mm	18	70mm	2	1025-042
VHL-W20DB	861mm	580mm	20	70mm	3.6	1025-043



Magnifying Fluorescent Work Light Beam



WITH 5X LENSE

• IP20



VHL-30TEB
BENCH TYPE

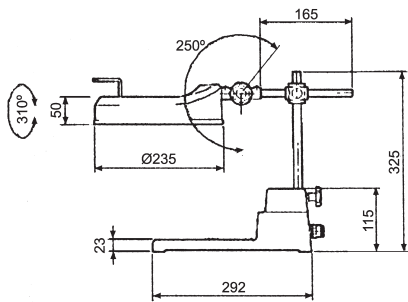


VHL-30MEB

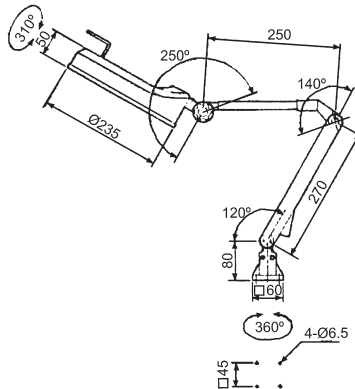


3 Diopter auxiliary lens
(optional)

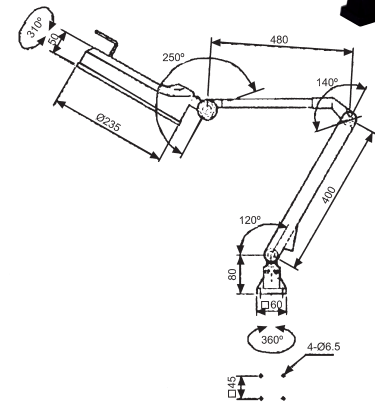
VHL-30LEB



VHL-30TEB BENCH TYPE



VHL-30MEB MEDIUM ARM



VHL-30LEB LONG ARM

VHL-30 TEB

- Bench type model.
- Constructed with a wide base for placing object, allowing it especially suited for inspection lighting.
- Electronic ballast is built in arm.
- Accepts 10 watt fluorescent tube.
- ※ 110V, or 220V operation. Supplied single voltage only. Specify desired voltage when ordering.
- Furnished with 1.8 meter cord with plug. Extended cord length is available when required.

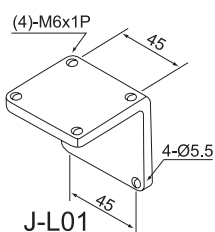
Designed with a magnifier lens on luminaire head giving 5 Diopter of magnification 2.25x than actual object. The fluorescent lighting provides day light effect without flash.

•OPTIONAL•

ORDER NO. VHL-3X
3 Diopter magnifier lens=1.75X

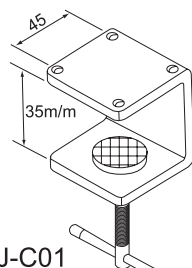


•OPTION



J-L01
MOUNTING ANGLE
PLATE

•STANDARD ACC.



J-C01
MOUNTING CLAMP

VHL-30 MEB

- Medium arm model.
- Electronic ballast is built in arm.
- Accepts 10 watt fluorescent tube.
- 110V, or 220V operation. Supplied single voltage only. specify desired voltage when ordering.
- Furnished with 1.8 meter cord with plug. Extended cord length is available when required.

VHL-30 LEB

- Long arm model.
- Electronic ballast is built in arm.
- Accepts 10 watt fluorescent tube.
- 110V, or 220V operation. Supplied single voltage only. Specify desired voltage when ordering.
- Furnished with 1.8 meter cord with plug. Extended cord length is available when required.

ORDER NO.	WEIGHT (kg)	CODE NO.
VHL-30TEB	3.5	1025-060
VHL-30MEB	2.9	1025-062
VHL-30LEB	2.9	1025-063
J-L01	0.6	1025-014
VHL-3X	0.3	1025-065

- All VHL-XXXLED work lights are with 5 Diopter magnifier lens, The MAX.=5+3=8 Diopter



Magnifying Fluorescent Work Light Beam



WITH 5X LENSE

• IP20



NEW MODEL LED LAMP TYPE



LED

VHL-30TLED
BENCH TYPE



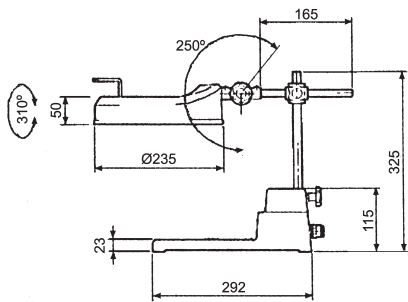
VHL-30MLED



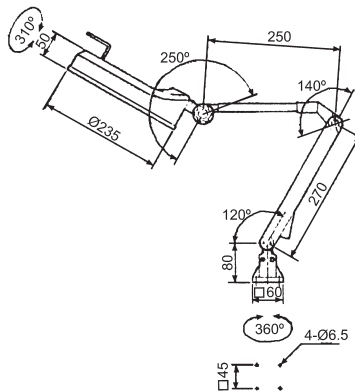
3 Diopter auxiliary lens
(optional)

VHL-30LLED

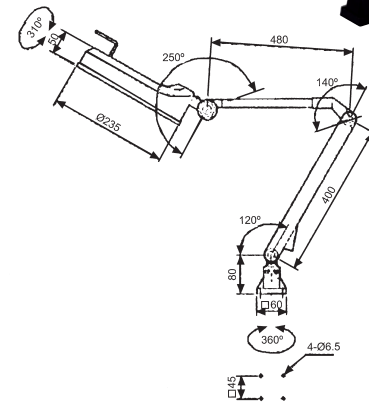
LAMP BEAM



VHL-30TLED BENCH TYPE



VHL-30MLED MEDIUM ARM



VHL-30LLED LONG ARM

VHL-30TLED

- Bench type model.
- Constructed with a wide base for placing object, allowing it especially suited for inspection lighting.
- Electronic ballast is built in arm.
- Accepts 10 watt fluorescent tube.
- ※ 110V, or 220V operation. Supplied single voltage only. Specify desired voltage when ordering.
- Furnished with 1.8 meter cord with plug. Extended cord length is available when required.

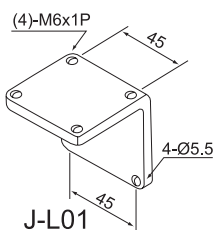
Designed with a magnifier lens on luminaire head giving 5 Diopter of magnification 2.25x than actual object. The fluorescent lighting provides day light effect without flash.

•OPTIONAL•

ORDER NO. VHL-3X
3 Diopter magnifier lens=1.75X



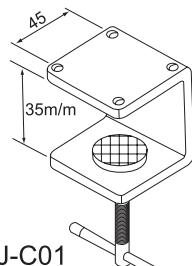
•OPTION



J-L01

MOUNTING ANGLE
PLATE

•STANDARD ACC.



J-C01

MOUNTING CLAMP

VHL-30 MLED

- Medium arm model.
- Electronic ballast is built in arm.
- Accepts 10 watt fluorescent tube.
- 110V, or 220V operation. Supplied single voltage only. specify desired voltage when ordering.
- Furnished with 1.8 meter cord with plug. Extended cord length is available when required.

VHL-30 LLED

- Long arm model.
- Electronic ballast is built in arm.
- Accepts 10 watt fluorescent tube.
- 110V, or 220V operation. Supplied single voltage only. Specify desired voltage when ordering.
- Furnished with 1.8 meter cord with plug. Extended cord length is available when required.

ORDER NO.	WEIGHT (kg)	CODE NO.
VHL-30TLED	3.5	1025-060A
VHL-30MLED	2.9	1025-062A
VHL-30LLED	2.9	1025-063A
J-L01	0.6	1025-014
VHL-3X	0.3	1025-065

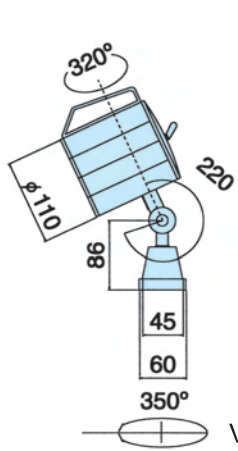
- All VHL-XXXLED work lights are with 5 Diopter magnifier lens, The MAX.=5+3=8 Diopter



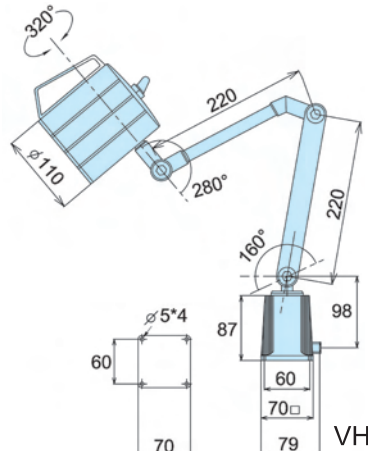
Water-Proof Halogen Lighting Beam



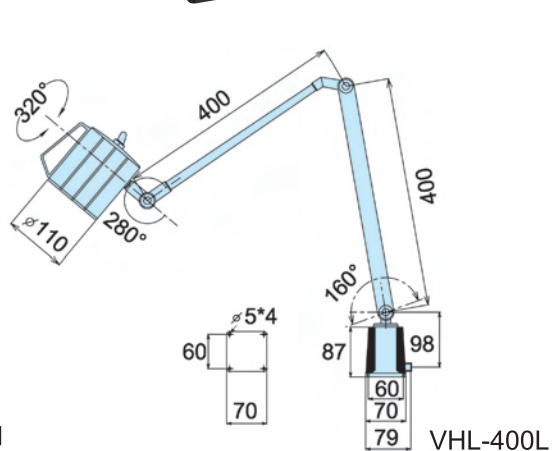
- LIGHT IP67
- ARM IP20



VHL-400S



VHL-400M



VHL-400L

WATER-PROOF HALOGEN LIGHTING LAMP (VHL-400L SERIES)

LIGHTING HEADS OF THESE SERIES WITH SPECIFIC FEATURES OF WATER-PROOF, DUST-FREE, ANTI-LUBRICAT, ANIT-CUTTING OIL, ETC. THE LIGHTING UNITS ADPOTED WITH A BULB (12V/50W). CUSTOMERS' SPECIFICATIONS ALSO ACCEPTED.

VHL-400L

- Water-proof lighting head with reinforced glass resists big temperature fluctuations of cutting oil.
 - 12V/24V Voltage.
 - Flexible Arm (round arm), 400x400mm
 - With universal Lighting Base.
 - Specifications of Bulb: 12V/50W.
 - Different conditions demand different lighting bases.
- Selected rectangular L-type (#V-20) base or C-type (#V-21) base.

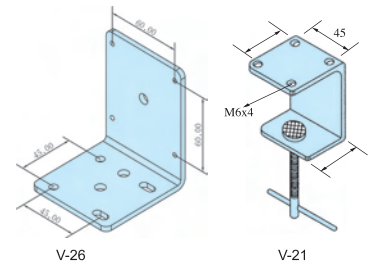
VHL-400M

- Performance & features: same as, but with shorter flexible arm at 220x185mm.

VHL-400S

- Specially designed to fit particular locations and spaces, The flexible arm is very short.

● OPTIONAL ●



ORDER NO.	VOLTAGE	BULB	ARM LENGTH L x l	OPTIONAL ACCESSORIES	WEIGHT (N.W.)	CODE NO.
VHL-400L	110V - 220V	12V 50W	400x400	V-26	3.8	10 25-100
VHL-400M	110V - 220V	12V 50W	220x220	V-26	3.5	1025-101
VHL-400S		12V 50W		V-20 / V-21	2.8	1025-102

ORDER NO.	WEIGHT (kg)	CODE NO.
V-21	0.48	1025-107
V-26	0.19	1025-108



Water-Proof Halogen Lighting Beam



- LIGHT IP67
- ARM IP65

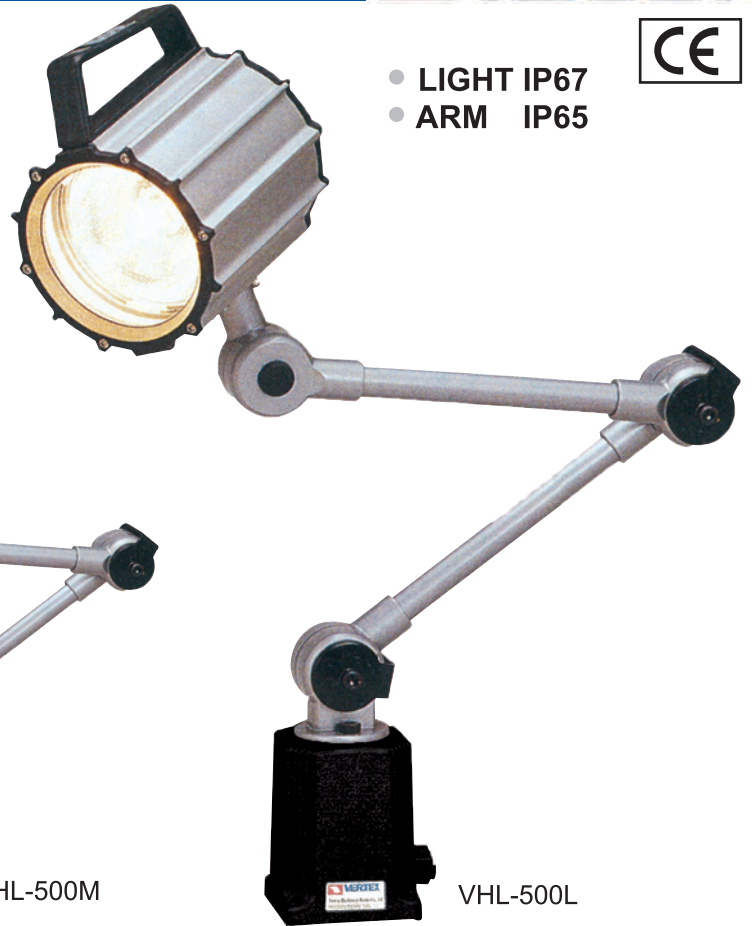
LAMP BEAM



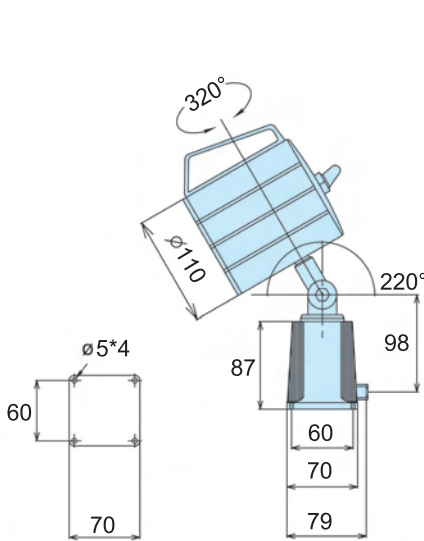
VHL-500S



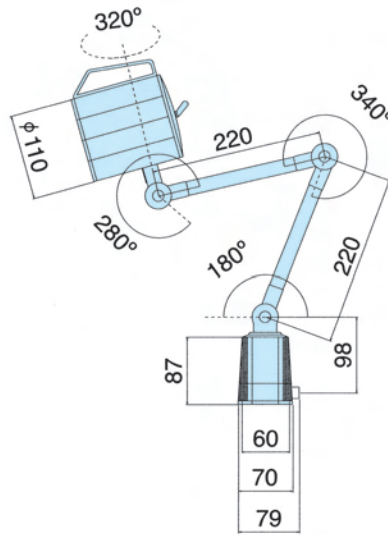
VHL-500M



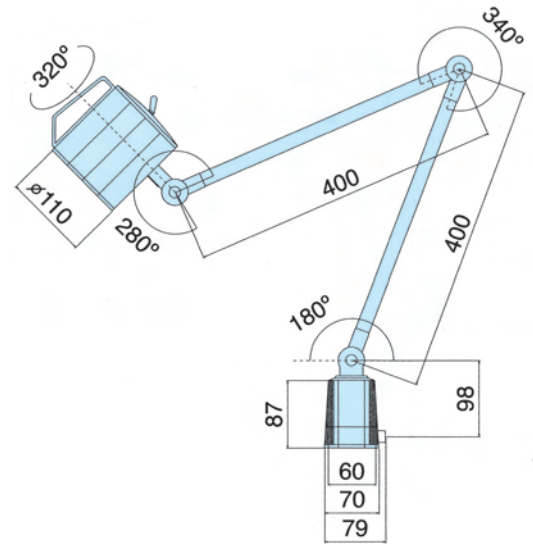
VHL-500L



VHL-500S



VHL-500M



VHL-500L

VHL-500L

- Performance & features of these series: same as. The main difference is that VHL-500L can be installed with a shorter arm, and connected with AC current below 240V.

※ Please indicate the required voltage when placing the orders to us.

- Specifications of the bulb: 12V/50W

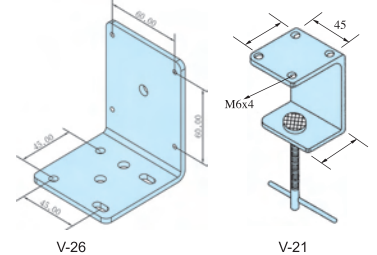
VHL-500M

- Same specifications as VHL-500L, but with shorter flexible arm at 220x220mm.

VHL-500S

- Specially designed to fit particular locations and spaces. The flexible arm is very short.

● OPTIONAL ●



V-26

V-21

ORDER NO.	VOLTAGE	BULB	ARM LENGTH L x l	OPTIONAL ACCESSORIES	WEIGHT (N.W.)	CODE NO.	ORDER NO.	WEIGHT (kg)	CODE NO.
VHL-500L	110V - 220V	12V 50W - 24V 50W	400x400	V-26	4	1025-103	V-21	0.48	1025-107
VHL-500M	110V - 220V	12V 50W - 24V 50W	200x220	V-26	3.8	1025-104	V-26	0.19	1025-108
VHL-500S	110V - 220V	12V 50W - 24V 50W		V-26	2.7	1025-105			