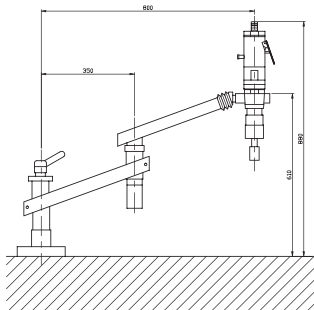


Mini Type Arm Type Air Tapping Unit

HIGH TORQUE HIGH EFFICIENCY EASY OPERATION



ACCESSORIES

- Air tapping spindle
- Parallel arm
- Table mounting column
- Air combination
- Choose any six safety clutch tapping adapters
- Radial jib
- Without stand plate
- Air pressure: 6~8 kgs/cm³
- VAT-08/12 series require: 5HP compressor
- VAT-16/20 series require: 10HP compressor

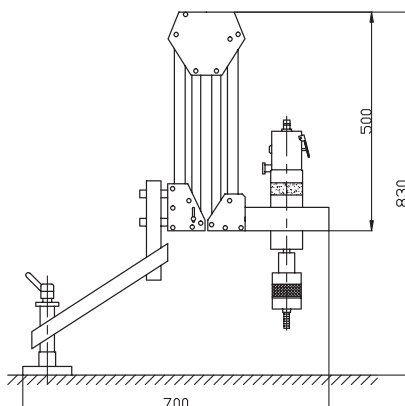
※Base not included

ORDER NO.	VAT-708	VAT-712	VAT-716	VAT-720	VAT-722	VAT-724
For Tap	M3~M8	M5~M12	M8~M16	M10~M20	M12~M22	M14~M24
	TC-312	TC-312	TC-820	TC-820	TC-820	TC-820
Speed (rpm)	630/700	350/400	250	200	200	100
Weight (kgs)	13.2	13.1	17.3	20.6	20.6	22.1
Work Range	Rmax 700mm					
CODE NO.	3404-410	3404-411	3404-412	3404-413	3404-413A	3404-413B

AIR TAPPING UNIT

Small Arm Type Air Tapping Unit

HIGH TORQUE HIGH EFFICIENCY EASY OPERATION



※Base not included

ACCESSORIES

- Air tapping spindle
- Parallel arm
- Table mounting column
- Air combination
- Choose any six safety clutch tapping adapters
- Radial jib, increases arm reach by 500mm
- Without stand plate
- Air pressure: 6~8 kgs/cm³
- VAT-08/12 series require: 5HP compressor
- VAT-16/20 series require: 10HP compressor

ORDER NO.	VAT-1408	VAT-1412	VAT-1416	VAT-1420	VAT-1422	VAT-1424
For Tap	M3~M8	M5~M12	M8~M16	M10~M20	M12~M22	M14~M24
	TC-312	TC-312	TC-820	TC-820	TC-820	TC820
Speed (rpm)	700	400	250	200	200	100
Weight (kgs)	18.2	18.2	24.6	25.6	25.6	27.1
Work Range	Rmax 1400mm					
	Rmin 200mm					
CODE NO.	3404-415	3404-416	3404-417	3404-418	3404-418A	3404-418B

※VAT-1424 can be replaced by VAT-1624