

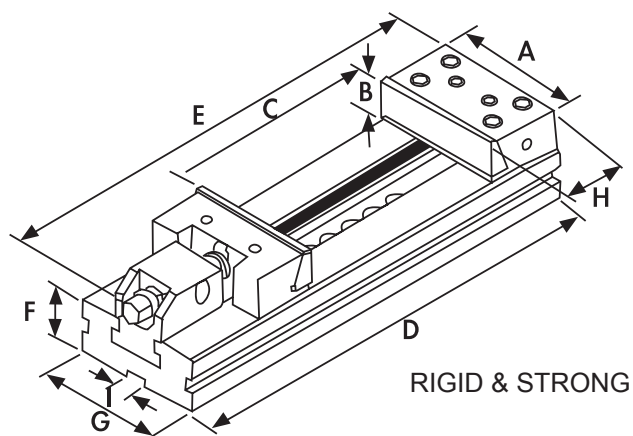


Modular Precision Machine Vise



SAME HEIGHT GUARANTEE

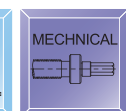
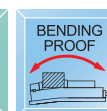
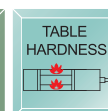
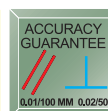
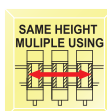
MACHINE VISE



RIGID & STRONG

Features

- High Accuracy 0.01/100 mm
- Unlimited Clamping Range
- High Quality Alloy Steel with HRC 59
- High Clamping Pressure
- EACH ONE IS SAME AS HEIGHT.
- CAN BE USED IN MULTIPLE STYLE.
- No Length of Height Limitation
- No Jaw Lift
- Low Profile
- All Vises are Matched parallelism $\pm 0.01/100$ mm
- Optional : Swivel base



ORDER NO.	VMP -4	VMP -5	VMP -6	VMP -6B	VMP -6C	VMP -7A	VMP -7B	VMP -7C	VMP -8A	VMP -8B	VMP -8C	VMP -8D	VMP -12C	VMP -12E
A	100	125	150	150	150	175	175	175	200	200	200	200	300	300
B	30	40	50	50	50	60	60	60	65	65	65	65	80	80
C OPEN	100	150	200	300	400	200	300	400	200	300	400	500	400	600
D	270	345	420	520	620	455	555	655	573	595	695	795	735	935
E	325	146	530	600	700	620	620	620	718	718	718	880	830	1030
F	35	40	50	50	50	58	58	58	70	70	70	70	78	78
G	75	96	125	125	125	145	145	145	170	170	170	170	195	195
H	78	78	90	89.4	89.4	97	97	97	114	114	114	113.4	120.4	120.4
I	16	16	16	16	16	16	16	16	16	16	16	16	16	16
Max. Clamp Force (kgf)	900	1300	2000	2000	2000	2000	2000	2000	2000	2000	2000	2000	2500	2500
KGS	9.2	16	28.5	34.8	38.1	43.7	48.3	53.5	66.3	73.2	81.3	87.2	125	143
CODE NO.	1002-190	1002-191	1002-192	1002-201	1002-202	1002-193	1002-194	1002-195	1002-196	1002-197	1002-198	1002-203	1002-204	1002-205