



**CATALOGUE / MODEL NUMBER  
IDENTIFICATION  
(for spares)**

**Use in conjunction with the Handbook**



---

**JANUARY 2003**

## INDEX

<b>MANUAL CHUCKS</b>	Catalogue numbers	Page
SCROLL ( 3, 4 & 6 jaw )	1008-10060 to 1940-65316 9210-00805 to 9789-00010 Lang & miscellaneous scroll Burnerd Pattern (Models 28 - 55)	1 - 11 12 - 20 21 - 21A 11/12 & 21/21A
SETRITE ( 3 & 6 jaw )	1219-00360 to 9789-00040	22
TUDOR ( 2 & 3 jaw )	1380-21721 to 9397-25000	23 - 29
INDEPENDENT ( 4 jaw )	1350-21601 to 1579-04480 9350-04001 to 9570-19501 Lang & miscellaneous independent Burnerd models 34 to 50	30 - 40 41 - 45 44a - 44c 40
<b>COMBINATION</b>	1600-32401 to 1610-44601	46
<b>FACEPLATE JAWS</b>	1660-91601 to 1710-00951	46
<b>VICES</b>	1420-12010 to 1430-08020	46
<b>POWER CHUCKS</b>	Catalogue numbers	
TOGGLE LEVER	1020-xxxxx to 1030-xxxxx	47
WEDGE TYPE (pre 1982)	1140-21707 to 1187-40040	48 - 56
SELF CONTAINED	1157-41710 to 9767-35020	57 - 58d
INTERNATIONAL (pre 1989)	1860-11710 to 1879-00060	59 - 62
INTERNATIONAL	9820-01310 to 9837-38010	62 - 68
CONSTANT GRIP	1770-11707 to 1779-00200	69 - 70
H.S.Q.C. (pre 1989)	1850-11707 to 1857-40150	71 - 72
HIGH SPEED QUICK CHANGE	9111-31723 to 9147-31010	73 - 83
FRONT-END HYDRAULIC	1739-02400 to 1749-03650	84
CYLINDERS	1892-10708 to 1917-90000	85
<b>MULTISIZE CHUCKS &amp; COLLETS</b>		86 - 88
<b>MISCELLANEOUS</b>		
CAMLOCK and DIN STUDS & NUTS		89
GRIPMETERS	1009-05220 to 1009-07360	89
<b>EXPLODED VIEWS</b>		
SELF CONTAINED CHUCK		90
MULTISIZE CHUCKS (KC, LC & PC)		91 - 92
INTERNATIONAL POWER CHUCK		93
FRONT-END HYDRAULIC CHUCK		93
HIGH SPEED QUICK CHANGE CHUCK		94
VICE		95
SELF CENTRING (3 JAW) CHUCK		96
INDEPENDENT (4 JAW) CHUCK		96

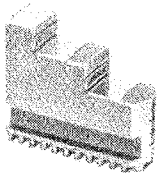
Dimensional & technical information is now published separately in 'The Handbook'.

# HOW TO IDENTIFY THAT SPARE PART

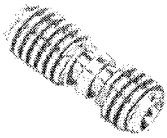


Obtain the chuck SERIAL NUMBER (stamped into the front face of the chuck)  
OR the CATALOGUE NUMBER (stamped in the disc on the chuck face).

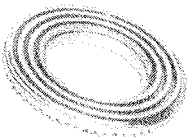
(If a serial number only is available, this will need to be identified by the  
Halifax sales office).



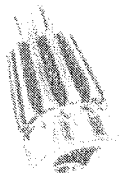
Determine the general type of chuck i.e. Manual, Power, Multisize etc.



From the catalogue number, use the index to locate the correct chuck.  
(If necessary, use the exploded views to find the part required).



If neither the serial number nor the catalogue number is available  
it may be possible to identify the part required from the dimensional details  
which can be found in the associated handbook.



Please note that while the catalogue numbers are comprehensive,  
they do not cover every chuck manufactured by us.

**WE CANNOT EMPHASIZE ENOUGH THE NEED FOR A SERIAL NO. OR CATALOGUE NO.  
TO IDENTIFY PARTS CORRECTLY.**

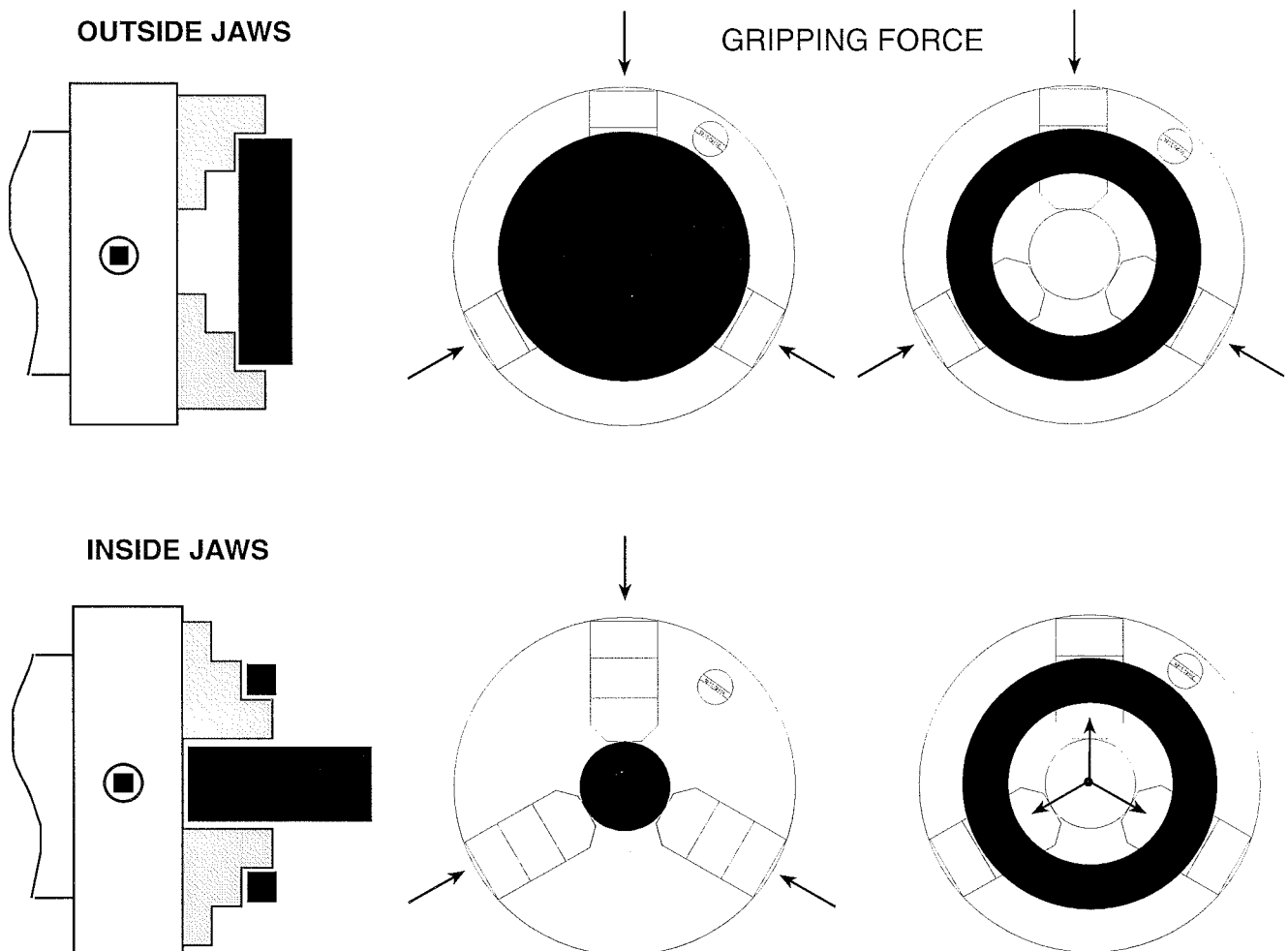
# INSIDE or OUTSIDE JAWS ?

THE most common misunderstanding in the chucking world is the terminology of inside and outside jaws for self centring chucks - a point which appears to have caused confusion since the turn of the century, and still does!

OUTSIDE jaws are designed ONLY to grip the OUTSIDE of components (usually of larger diameters).

INSIDE jaws are designed to grip the INSIDE diameter of a ring or cylinder but will also grip the OUTSIDE diameter of bar material which is, by far, the most common application. Very confusing !

To simplify :





## PBI CHUCK SERIAL NUMBERS and IDENTIFICATION

The serial numbers below will identify most chucks manufactured by the F. Pratt & F. Burnerd companies since 1937. Please contact the Halifax sales office for identification. Tel: 01422 366371 Fax: 01422 359379. Any other numbers (unless pre-1961 Burnerd, see below) will not be of Pratt Burnerd manufacture.

Serial number	Date of manufacture
<b>A1000 - H26600</b>	1962 - 2002 (F. Pratt & PBI)
<b>T 0001 - T 30000</b>	1995 - 2002 (Metric design)
<b>X 3093 - X 9500</b>	1993 - 2002 (Setrite & Int. only)
<b>Y 0001 - Y00400</b>	2002 - (Setrite, PBI)
<b>AA 001 - ZZ 999</b>	1944 - 1963 (F. Pratt)
<b>1000A - 9999Z</b>	1937 - 1944 (F. Pratt)
<b>BP61/1 - BP81/3742</b>	1961 - 1981 (F. Burnerd)

(BP numbers may have a suffix 'P', which will refer to completely different chucks. The 'P' is important!)

### 'T' Serial numbers & how to recognise:

#### Cat. no:

- 9210**- 3 jaw Super Precision (plain chuck diameter).
- 9580**- 3 jaw Standard Accuracy - 'v' groove in chuck dia.
- 9250**- 3 jaw Griptru (micro screws in chuck diameter).
- 9260**- 6 jaw Griptru (micro screws in chuck diameter).
- 9500**- 4 jaw Independent.

Other uncommon serial numbers are:

<b>QR1S - QR999S</b>	1958 (F. Burnerd)	<b>500 - 13202</b>	1962 (F. Burnerd)
<b>S1 - S1207</b>	1958 (F. Burnerd)	<b>0785-0799/J3</b>	1979} PRAGA -
<b>V6515 - V66824</b>	1957 - 1968 (F. Pratt)	<b>0193-0852/J4</b>	1979} no spares
<b>X5230 - X10794</b>	1957 (F. Pratt)	<b>0192-0933/J5</b>	1979} available.
<b>1PH - 391PH</b>	1956 (F. Pratt, magnetic)	<b>0869-0921/J6</b>	1979}

Serial numbers are, in the main, stamped into the front face of the chuck.

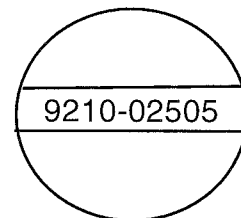
Cylinders have the number on the rear of the unit (which means you have to take it off!).

Collet chucks have a serial no. (i.e. C79/358) etched into the front cap.

Older chucks may have a model number in place of the serial number

i.e. 34M, 55D8, 30A etc. which can also be found in this manual.

Most chucks also have an identification disc (as diagram right) with the chuck catalogue number stamped in.



EITHER this number OR the serial number will identify the chuck positively.

Most pre-1961 3 jaw chucks manufactured by F. Burnerd had NUMERIC ONLY serial numbers for which records are unavailable. In general, spares for these chucks can be determined by size and are referenced under:

<b>3" - model 29</b>	<b>4" - model 30</b>	<b>5" - model 30A</b>	<b>6" - model 31</b>	<b>7.5" model 52</b>
<b>8" - model 51</b>	<b>9" - model 53</b>	<b>10.5" - model 54</b>	<b>12" - model 55</b>	<b>(see pages 11 - 12)</b>

Serial numbers can only identify chucks as they left the factory.

Subsequent modifications may have been implemented, invalidating the correct supply of spares.

**Numbers stamped on the chuck jaws or rear body of the chuck are of no significance in identifying the chuck type.**

**BRIEF PRODUCT HISTORY**

	Cat. nos.	From	To
<b>INDEPENDENT CHUCKS 4 jaw</b>			
Burnerd Ind. (models 39 to 50)	n/a	?	1960
Light Type (Pratt)	n/a	pre 1924	1960
Light Type 3"- 4" (Burnerd)	1520-	pre 1956	1994
Light Type 5" to 10" (Burnerd)	1540-	pre 1956	1994
Metric, original style	1500-	1976	1987
Metric, new style	9500-	1987	*
Iron, model 55 (Pratt)	1550-	1910 ?	1987
SG Iron, model 56 (Pratt)	1560-	pre 1929	1987
Steel, model 57 (Pratt)	1570-	pre 1924	1987
Steel H.D. model 1935 (Pratt)	1350-	1935	1987
Steel (460mm +)	9350-	1990 ?	*
<b>INDEPENDENT CHUCKS 3 jaw</b>			
Iron, model 56 (Pratt)	n/a	pre 1924	
<b>SELF CENTRING CHUCKS 3, 4 &amp; 6 jaw</b>			
Burnerd 3 & 4 jaw models 28 to 55Y		pre 1956	1968
Griptru 3 jaw	1250-	1968	1993
Griptru 6 jaw	1260-	1968	1993
Griptru 3 jaw	9250-	1993	*
Griptru 6 jaw	9260-	1993	*
Lever Scroll 3 jaw, old style	1460-	pre 1948	1994
Lever Scroll 3 jaw, new style	9460-	1997	*
Iron 4 jaw	1230-	1968?	1994
SP 4 jaw	1280-	1968?	1994
SP 4 jaw	9280-		1994
Iron 3 jaw, model 58	1580-	1915	1988
Steel 3 jaw, model 78	1780-	pre 1929	1986/87
Steel 3 jaw, Medium Duty	9780-	1994	*
Iron 3 jaw, DIN range	1210-	1968	1988
Standard Accuracy 3 jaw	9580-	1992	*
Super Precision 3 jaw, DIN.	1270-	1968	1988
Super Precision 3 jaw, DIN.	9270-	1987	1991/92
Super Precision 3 jaw, Metric	9210-	1990	*
Super Precision 6 jaw	9640-	1990 ?	1990 ?
Super Precision 6 jaw	9650-	1990 ?	1990 ?
Supercentric 3 j (250 & 315mm)	1312-	1978/79	1980
Heavy Duty, model 95, 3 jaw	1930-	pre 1929	1970
Heavy Duty, model 96, 2 jaw	1940-	pre 1929	1970
Setrite 3 & 6 jaw	1219-	1982 ?	1993
Setrite 3 & 6 jaw	9219-00	1993	2000
Setrite 3 & 6 jaw redesign	9219-01	2000	*
Drillpoint Grinding 6 jaw	1658-	1968 ?	1992
Universal 3 jaw, model 80	1800-	pre 1929	1975
<b>TUDOR CHUCKS</b>			
2 jaw, original, 6" - 29"	1990-	1930/35	1980
2 jaw 160mm - 400mm	1390-	1980	1994
2 jaw 160mm - 400mm	9390-	1987	1994
3 jaw, original, 6" - 29"	1980-	1930/35	1980
3 jaw 160mm - 400mm	1380-	1980	1994
3 jaw 160mm - 400mm	9380-	1987	1994
3 jaw (460mm +)	9380-	1990 ?	*

	Cat. nos.	From	To
<b>INDEXING UNITS</b>			
Indexing Units, 3 jaw	1217-	?	1991
Indexing Units, 3 jaw	9217-	1991	1994
<b>FACEPLATE JAWS</b>			
Single	1680-	pre 1924	1989
Double	1690-	pre 1924	1989
Light Type	1710-	pre 1924	1995 ?
<b>COMBINATION CHUCKS</b>			
3 jaw	1600-	pre 1924	1980
4 jaw	1610-	pre 1924	1980
<b>POWER CHUCKS</b>			
Toggle Lever	1030-	pre 1934	post 1979
Closed Centre Wedge Type	1160-	1969	1982
Open Centre Wedge Type	1170-	1970 ?	1982
High Speed Lightweight	1140-	1968	1978/82
Constant Grip	1770-	1982	1989
Front End Hydraulic	1749-	1989	*
High Speed QC 3 jaw	1850-	1985	1989
High Speed QC 3 jaw	9120-	1989	*
High Speed QC 3 jaw	9130-	1989	*
International Power 3 jaw	1870-	1982	1989
International Power 3 jaw	9820-	1989	*
Self Contained Power MK II	1740-	1974	1989
Self Contained Power MK III	9760-	1989	*
<b>MULTISIZE</b>			
DC (Drawbar operated)	6100-	?	1995
KC & LC multisize chucks		pre 1956	*
PC (Power operated)	3030-	1956	*
TC (Table mounted)		1966	1980?
EA, EC, ED, EE collets	3150-	pre 1956	*
E, EB collets	3150-	pre 1956	1993
<b>GRIPMETER</b>			
Gripmeter, dynamic MK I	1009-	1979/80	1991
Gripmeter, optocoupled	1009-	1991	1999
Gripmeter, RF	1009-	2000	*
<b>CYLINDERS</b>			
Pneumatic MK I	n/a	pre 1934	post 1968
Pneumatic MK II	1892-	pre 1968	1974 ?
Pneumatic MK III	1893-	1974 ?	post 1979
Hydraulic Open Centre	1910-	1970/74 ?	*
<b>VICES (Hylo)</b>	1420-	1974	1994
<b>MAGNETIC VICES</b>			
	n/a	?	*
<b>DICKSONS</b>			
	Toolposts	Jun. 2002	*

Some dates are approximated.

Certain sizes of specific ranges were discontinued well before the whole range was declared obsolete and there may be a considerable 'overlap' on some models.

\* Still under manufacture at Oct. 2002.

# Chuck catalogue numbers - basic interpretation.

# 1272-32005

## Digit 1 - Basic component

- ie 1 or 9 = Manual or Power chuck
  - 3 or 6 = Collet chuck or collet
  - 2 = Spares
  - 4 = Collet spares
- n.b When the first digit changes from 1 or 9,  
all other digits have a different interpretation.

## Digits 2 & 3 - Chuck type

- ie 16 = Closed Centre Wedge Type
- 21 = Iron Scroll 3 jaw (or metric Super Precision)
- 27 = Super Precision 3 jaw (original style)
- 55 = Iron Independent 4 jaw
- 78 = Steel Scroll 3 jaw
- 82 = International Power Chuck
- 98 = Tudor Scroll Chuck 3 jaw

## Digits 4 & 5 - Mount

- ie 0-0 = Recess
  - 0-2 = BS 5.25"
  - 1-2 = A2-4
  - 2-3 = D1-4
  - 3-2 = L0
  - 4-4 = DIN 6
- If the fourth digit is 7, it indicates the chuck is a modified  
standard; digits 5 to 9 then have a different interpretation.

## Digits 6 & 7 - Chuck diameter

- ie 08 = 80mm (3")
- 13 = 125mm (5")
- 20 = 200mm (8")
- 51 = 500mm (20")
- 76 = 760mm (30")

## Digits 8 & 9 - Jaws fitted to chuck

- ie 01 = Hard Reversible
- 05 = Inside & Outside
- 06 = Soft Blank
- 15 = Base & Hard Top (cross tenon)
- 21 = Base & Hard Top (serrated)

The variations of code numbers are comprehensive and the above numbers represent only a small sample of the full product range. Generally, the system has been very accurate but regrettably anomalies have been introduced in recent years. Old reference books may also use a check digit (ie 2210-25603-8) but this practice was discontinued many years ago.





Chuck no./ Model no.	Size	Type	Mount	Inside Jaws (3)	Outside Jaws (3)	Soft Jaws (3)	Base Jaws (3)	Hard Top Jaws (3)	Soft Top Jaw (ea)	Scroll	Pinion	Pinion Retainer	Key
1214-53205	315mm	3 jaw Iron	DIN 8	2210-32603	2210-32602	2210-32606	2210-32607	8210-32608	2210-32509	2210-32300	2210-32350	2310-20356	2218-32208
1214-63205	315mm	3 jaw Iron	DIN 11	2210-32603	2210-32602	2210-32606	2210-32607	8210-32608	2210-32509	2210-32300	2210-32350	2310-20356	2218-32208
<b>1217-00010</b>													
1217-13000	125mm	3 jaw Indexing Unit		2210-13603	2210-13602	2210-13606	2210-13607	8210-13608	2210-13509	2210-13300	2210-13350	2210-13356	2210-13395
1217-13010	125mm	Jones & Shipman		2210-13603	2210-13602	2210-13606	2210-13607	8210-13608	2210-13509	2210-13300	2210-13350	2210-13356	2218-13208
1217-13020	125mm	Large bore		2210-13603	2210-13602	2210-13606	2210-13607	8210-13608	2210-13509	2210-13300	2210-13350	2210-13356	2210-13395
1217-13025	125mm			2210-13603	2210-13602	2210-13606	2210-13607	8210-13608	2210-13509	2210-13300	2210-13350	2210-13356	2210-13395
1217-13030	125mm	Cincinnati		2210-13603	2210-13602	2210-13606	2210-13607	8210-13608	2210-13509	2210-13300	2210-13350	2210-13356	2210-13395
1217-17000	160mm	Spec. base jaws		2210-17603	2210-17602	2210-17606	7219-17003			2210-17300	2210-17350	2210-13356	2210-17395
1217-17010	160mm	Spec. adaptor		2210-17603	2210-17602	2210-17606	2210-17607	8210-17608	2210-17509	2210-17300	2210-17350	2210-13356	2210-17395
1217-17020	160mm	Spec. soft jaws		2210-17603	2210-17602		2210-17607	8210-17608	2210-17509	2210-17300	2210-17350	2210-13356	2210-17395
1217-20000	200mm	3 jaw Indexing Unit		2210-20603	2210-20602	2210-20606	2210-20607	8210-20608	2210-20509	2210-20300	2210-20350	2310-20356	2218-20208
1217-20010	200mm	Spec. body material		2210-20603	2210-20602	2210-20606	2210-20607	8210-20608	2210-20509	2210-20300	2210-20350	2310-20356	2218-20208
1217-20020	200mm	Large bore 58mm		2210-20603	2210-20602	2210-20606	2210-20607	8210-20608	2210-20509	2210-20300	2210-20350	2310-20356	2218-20208
1217-20030	200mm	Extended key		2210-20603	2210-20602	2210-20606	2210-20607	8210-20608	2210-20509	2210-20300	2210-20350	2310-20356	2218-20208
1217-20040	200mm	Modified body		2210-20603	2210-20602	2210-20606	2210-20607	8210-20608	2210-20509	2210-20300	2210-20350	2310-20356	2218-20208
1217-20060	200mm			2210-20603	2210-20602	2210-20606	2210-20607	8210-20608	2210-20509	2210-20300	2210-20350	2310-20356	2218-20208
1217-20070	200mm			2210-20603	2210-20602	2210-20606	2210-20607	8210-20608	2210-20509	2210-20300	2210-20350	2310-20356	2218-20208
1217-21000	200mm	Key extended by 3"		2210-20603	2210-20602	2210-20606	2210-20607	8210-20608	2210-20509	2210-20300	2210-20350	2310-20356	
1217-21010	200mm	A1-6 adaptor		2210-20603	2210-20602	2210-20606	2210-20607	8210-20608	2210-20509	2210-20300	2210-20350	2310-20356	2218-20208
1217-21020	200mm	Key extended to 8"		2210-20603	2210-20602	2210-20606	2210-20607	8210-20608	2210-20509	2210-20300	2210-20350	2310-20356	2217-21020
1217-21030	200mm	Special recess		2210-20603	2210-20602	2210-20606	2210-20607	8210-20608	2210-20509	2210-20300	2210-20350	2310-20356	2218-20208
1217-25000	250mm	Spec. adaptor		2210-25603	2210-25602	2210-25606	2210-25607	8210-25608	2210-25509	2210-25300	2210-25350	2310-20356	2218-25208
1217-25010	250mm	Spec. adaptor		2210-25603	2210-25602	2210-25606	2210-25607	8210-25608	2210-25509	2210-25300	2210-25350	2310-20356	2218-25208
1217-25020	250mm	Key extended to 14"		2210-25603	2210-25602	2210-25606	2210-25607	8210-25608	2210-25509	2210-25300	2210-25350	2310-20356	2217-25020
1217-25040	250mm	3 1/8" bore		2210-25603	2210-25602	2210-25606	2210-25607	8210-25608	2210-25509	2210-25300	2210-25350	2310-20356	2218-25208
1217-25050	250mm	Extended key		2210-25603	2210-25602	2210-25606	2210-25607	8210-25608	2210-25509	2210-25300	2210-25350	2310-20356	2217-25050
1217-32000	250mm	Extended key		2210-25603	2210-25602	2210-25606	2210-25607	8210-25608	2210-25509	2210-25300	2210-25350	2310-20356	
1217-32010	315mm	Spec. mounting		2210-32603	2210-32602	2210-32606	2210-32607	8210-32608	2210-32509	2210-32300	2210-32350	2310-20356	2218-32208
1217-32020	315mm	Spec. body & jaws		2210-32603	2210-32602	2217-32021	2210-32607	8210-32608	2210-32509	2210-32300	2210-32350	2310-20356	2218-32208
1217-32030	315mm	Extended key		2210-32603	2210-32602	2217-32021	2210-32607	8210-32608	2210-32509	2210-32300	2210-32350	2310-20356	2217-32030
1217-32040	315mm	Mod. Setrite 6 jaw					2260-32607		Special	2270-32330	2210-32350	2310-20356	2218-32208
1217-38000	15"	Mod. Setrite 3 jaw					2219-00404			2217-38000	2380-38350	2310-20356	2980-38395
1217-38010	15"	Mod. Setrite 6 jaw	See file details.										
1218-13080	125mm	3 jaw MC		2210-13603	2210-13602	2210-13606	2210-13607	8210-13608	2210-13509	2210-13300	2210-13350	2210-13356	2210-13395
1218-13110	125mm	3 jaw Marley		2210-13603	2210-13602	2210-13606	2210-13607	8210-13608	2210-13509	2210-13300	2218-13113	2210-13356	2210-13395
1218-13200	125mm	3 jaw Iron	D1-3	2210-13603	2210-13602	2210-13606	2210-13607	8210-13608	2210-13509	2210-13300	2218-13113	2210-13356	2210-13395
1218-13260	125mm	3 jaw Cincinnati		2210-13603	2210-13602	2210-13606	2210-13607	8210-13608	2210-13509	2210-13300	2210-13350	2210-13356	2210-13395
1218-13270	125mm	3 jaw Hercus		2210-13603	2210-13602	2210-13606	2210-13607	8210-13608	2210-13509	2210-13300	2210-13350	2210-13356	2210-13395
1219-	See SETRITE page												
1230-01305	125mm	4 jaw GS	Recess	2230-13603	2230-13602	2230-13606	2230-13607	2230-13608	2210-13509	2210-13300	2210-13350	2210-13356	2210-13395
1230-01705	160mm	4 jaw GS	Recess	2230-17603	2230-17602	2230-17606	2230-17607	2230-17608	2210-17509	2210-17300	2210-17350	2210-13356	2210-17395
1230-02005	200mm	4 jaw GS	Recess	2230-20603	2230-20602	2230-20606	2230-20607	2230-20608	2210-20509	2210-20300	2210-20350	2310-20356	2218-20208
1230-02505	250mm	4 jaw GS	Recess	2230-25603	2230-25602	2230-25606	2230-25607	2230-25608	2210-25509	2210-25300	2210-25350	2310-20356	2218-25208
1230-03205	315mm	4 jaw GS	Recess	2230-32603	2230-32602	2230-32606	2230-32607	2230-32608	2210-32509	2210-32300	2210-32350	2310-20356	2218-32208
1237-13000	125mm	Key extended to 6"		2230-13603	2230-13602	2230-13606	2230-13607	2230-13608	2210-13509	2210-13300	2210-13350	2210-13356	2217-13010
1237-20000	200mm	Spec. adaptor		2230-20603	2230-20602	2230-20606	2230-20607	2230-20608	2210-20509	2210-20300	2210-20350	2310-20356	2218-20208



Chuck no./ Model no.	Size	Type	Mount	Inside Jaws (3)	Outside Jaws (3)	Soft Jaws (3)	Base Jaws (3)	Hard Top Jaws (3)	Soft Top Jaw (ea)	Scroll	Pinion	Pinion Retainer	Key
1237-25000	250mm	Spec. jaws		7239-25003		2230-25606	2230-25607	2230-25608	2210-25509	2210-25300	2210-25350	2310-20356	2218-25208
1238-13180	125mm	4 jaw GS		2230-13603	2230-13602	2230-13606	2230-13607	2230-13608	2210-13509	2210-13300	2210-13350	2210-13356	2210-13395
1250-01305	125mm	3j Griptru	Recess	2210-13603	2210-13602	2210-13606	2210-13607	8210-13608	2210-13509	2210-13300	2210-13350	2210-13356	2210-13395
				( Micro-screw = 2630-14360)			(Micro-screw allen key = SSKEYL0.188)						
1250-01705	160mm	3j Griptru	Recess	2210-17603	2210-17602	2210-17606	2210-17607	8210-17608	2210-17509	2210-17300	2210-17350	2210-13356	2210-17395
				( Micro-screw = 2630-16360)			(Micro-screw allen key = SSKEYS0.219)						
1250-02005	200mm	3j Griptru	Recess	2210-20603	2210-20602	2210-20606	2210-20607	8210-20608	2210-20509	2210-20300	2210-20350	2310-20356	2218-20208
				( Micro-screw = 2250-20360)			(Micro-screw allen key = DIN911L-43778)						
1250-02505	250mm	3j Griptru	Recess	2210-25603	2210-25602	2210-25606	2210-25607	8210-25608	2210-25509	2210-25300	2210-25350	2310-20356	2218-25208
				( Micro-screw = 2630-27360)			(Micro-screw allen key = SSKEYL0.375)						
1250-03205	315mm	3j Griptru	Recess	2210-32603	2210-32602	2210-32606	2210-32607	8210-32608	2210-32509	2210-32300	2210-32350	2310-20356	2218-32208
				( Micro-screw = 2630-27360)			(Micro-screw allen key = SSKEYL0.375)						
1257-17000	160mm	Morse Taper adaptor		2210-17603	2210-17602	2210-17606	2210-17607	8210-17608	2210-17509	2210-17300	2210-17350	2210-13356	2210-17395
				( Micro-screw = 2630-16360)								Micro screw key = SSKEYS0.219	
1257-17010	125mm	Modified body		2210-13603	2210-13602	2210-13606	2210-13607	8210-13608	2210-13509	2210-13300	2210-13350	2210-13356	2210-13395
				( Micro-screw = 2630-14360)								Micro screw key = SSKEYL0.188	
1257-20000	200mm	58mm bore		2210-20603	2210-20602	2210-20606	2210-20607	8210-20608	2210-20509	2210-20300	2210-20350	2310-20356	2218-20208
				( Micro-screw = 2250-20360)								Micro screw key = DIN911L-43778	
1257-20010	200mm	A2-6 adaptor		2210-20603	2210-20602	2210-20606	2210-20607	8210-20608	2210-20509	2210-20300	2210-20350	2310-20356	2218-20208
				( Micro-screw = 2250-20360)								Micro screw key = DIN911L-43778	
1257-20020	200mm	Special backplate		2210-20603	2210-20602	2210-20606	2210-20607	8210-20608	2210-20509	2210-20300	2210-20350	2310-20356	2218-20208
				( Micro-screw = 2250-20360)								Micro screw key = DIN911L-43778	
1257-25000	250mm	Spec.jaws & mods.				2210-25606	2210-25607	7259-25000	2210-25509	2210-25300	2210-25350	2310-20356	2218-25208
						( Micro-screw = 2630-27360)						Micro screw key = SSKEYL0.375	
1257-25010	250mm	Spec.jaws & mods.				2210-25606	2210-25607	7259-25001	2210-25509	2210-25300	2210-25350	2310-20356	2218-25208
						( Micro-screw = 2630-27360)						Micro screw key = SSKEYL0.375	
1257-25020	250mm	Modified body		2210-25603	2210-25602	2210-25606	2210-25607	8210-25608	2210-25509	2210-25300	2210-25350	2310-20356	2218-25208
				( Micro-screw = 2630-27360)								Micro screw key = SSKEYL0.375	
1257-32000	315mm	Mod. to jaw face		2210-32603	2210-32602	2210-32606	2210-32607	8210-32608	2210-32509	2210-32300	2210-32350	2310-20356	2218-32208
				( Micro-screw = 2630-27360)								Micro screw key = SSKEYL0.375	
1257-32010	315mm	Key extended to 12"		2210-32603	2210-32602	2210-32606	2210-32607	8210-32608	2210-32509	2210-32300	2210-32350	2310-20356	Special
				( Micro-screw = 2630-27360)								Micro screw key = SSKEYL0.375	
1257-32020	315mm	4.117" bore		2210-32603	2210-32602	2210-32606	2210-32607	8210-32608	2210-32509	2210-32300	2210-32350	2310-20356	2218-32208
				( Micro-screw = 2630-27360)								Micro screw key = SSKEYL0.375	
1258-13180	125mm	3 jaw SVB		2210-13603	2210-13602	2210-13606	2210-13607	8210-13608	2210-13509	2210-13300	2210-13350	2210-13356	2210-13395
				(Micro-screw = 2630-14360)								Micro-screw key = SSKEYL0.188	
1260-01305	125mm	6j Griptru	Recess	2260-13603	2260-13602	2260-13606	2260-13607	2260-13608	2210-13509	2210-13300	2210-13350	2210-13356	2210-13395
				(Micro-screw = 2630-14360)								Micro-screw key = SSKEYL0.188	
1260-01705	160mm	6j Griptru	Recess	2260-17603	2260-17602	2260-17606	2260-17607	8260-17608	2210-17509	2210-17300	2210-17350	2210-13356	2210-17395
				(Micro-screw = 2630-16360)								Micro-screw key = SSKEYS0.219	
1260-02005	200mm	6j Griptru	Recess	2260-20603	2260-20602	2260-20606	2260-20607	2260-20608}	2210-20509	2210-20300	2210-20350	2310-20356	2218-20208
				(Micro-screw = 2250-20360)				8260-20608}				Micro-screw key = DIN911L-43778	
1260-02505	250mm	6j Griptru	Recess	2260-25603	2260-25602	2260-25606	2260-25607	2260-25608}	2210-25509	2210-25300	2210-25350	2310-20356	2218-25208
				(Micro-screw = 2630-27360)				8260-25608}				Micro screw key = SSKEYL0.375	
1260-03205	315mm	6j Griptru	Recess	2260-32603	2260-32602	2260-32606	2260-32607	8260-32608	2210-32509	2210-32300	2210-32350	2310-20356	2218-32208
				(Micro-screw = 2630-27360)								Micro screw key = SSKEYL0.375	



Chuck no./ Model no.	Size	Type	Mount	Inside Jaws (3)	Outside Jaws (3)	Soft Jaws (3)	Base Jaws (3)	Hard Top Jaws (3)	Soft Top Jaw (ea)	Scroll	Pinion	Pinion Retainer	Key
<b>1267-13000</b>	125mm	Key extended by 3"		2260-13603	2260-13602	2260-13606	2260-13607	2260-13608	2210-13509	2210-13300	2210-13350	2210-13356	2210-13395
<b>Note - duplicated numbers.</b>				(Micro-screw = 2630-14360)			(Allen key = SSKEYL0.188)						
<b>1267-13000</b>	125mm	Mod. body & jaws		2267-13001	2260-13602	2260-13606	2260-13607	2260-13608	2210-13509	2210-13300	2210-13350	2210-13356	2210-13395
				(Micro-screw = 2630-14360)			(Allen key = SSKEYL0.188)						
<b>1267-13010</b>	125mm	Special key		2260-13603	2260-13602	2260-13606	2260-13607	2260-13608	2210-13509	2210-13300	2210-13350	2210-13356	2267-13010
				(Micro-screw = 2630-14360)			(Allen key = SSKEYL0.188)						
<b>1267-13020</b>	125mm	Special jaws		2269-00342		2260-13606	2260-13607	2260-13608	2210-13509	2210-13300	2210-13350	2210-13356	2210-13395
				(Micro-screw = 2630-14360)			(Allen key = SSKEYL0.188)						
<b>1267-13030</b>	125mm	Morse Taper		2260-13603	2260-13602	2260-13606	2260-13607	2260-13608	2210-13509	2210-13300	2210-13350	2210-13356	2210-13395
				(Micro-screw = 2630-14360)			(Allen key = SSKEYL0.188)						
<b>1267-17000</b>	160mm	Special Mount		2260-17603	2260-17602	2260-17606	2260-17607	8260-17608	2210-17509	2210-17300	2210-17350	2210-13356	2210-17395
				(Micro-screw = 2630-16360)			(Allen key = SSKEYS0.219)						
<b>1267-17010</b>	160mm	Spec. inside jaws		2267-17010	2260-17602	2260-17606	2260-17607	8260-17608	2210-17509	2210-17300	2210-17350	2210-13356	2210-17395
				(Micro-screw = 2630-16360)			(Allen key = SSKEYS0.219)						
<b>1267-17020</b>	160mm	Modified 1269-00300		2267-17020	(Only one type of jaws supplied)				-	2210-17300	2210-17350	2210-13356	2210-17395
				(Micro-screw = 2630-16360)			(Allen key = SSKEYS0.219)						
<b>1267-20000</b>	200mm	A2-6 mount		2260-20603	2260-20602	2260-20606	2260-20607	2260-20608	2210-20509	2210-20300	2210-20350	2310-20356	2218-20208
				(Micro-screw = 2250-20360)			(Allen key = DIN911L-43778)						
<b>1269-00100</b>	250mm	6j Griptru	Z.Brierley	7269-25006	(Only one type of jaws supplied)				-	2210-25300	2210-25350	2310-20356	2218-25208
			(ZB 80)	(Micro-screw = 2630-27360)			(Allen key = SSKEYL0.375)						
<b>1269-00300</b>	160mm	6 jaw Griptru(mod)		7269-17003	(Only one type of jaws supplied)				-	2210-17300	2210-17350	2210-13356	2210-17395
				(Micro-screw = 2630-16360)			(Allen key = SSKEYS0.219)						
<b>1270-01005</b>	100mm	3 jaw SP	Recess	2580-10603	2580-10602	2580-10606	2580-10607	2580-10608	2580-10509	2580-10300	2580-10350	2580-08356	2580-10395
<b>1270-01305</b>	125mm	3 jaw SP	Recess	2210-13603	2210-13602	2210-13606	2210-13607	8210-13608	2210-13509	2210-13300	2210-13350	2210-13356	2210-13395
<b>1270-01705</b>	160mm	3 jaw SP	Recess	2210-17603	2210-17602	2210-17606	2210-17607	8210-17608	2210-17509	2210-17300	2210-17350	2210-13356	2210-17395
<b>1270-01715</b>	160mm	3j SP TJ	Recess	2210-17603	2210-17602	2210-17606	2210-17607	8210-17608	2210-17509	2210-17300	2210-17350	2210-13356	2210-17395
<b>1270-02005</b>	200mm	3 jaw SP	Recess	2210-20603	2210-20602	2210-20606	2210-20607	8210-20608	2210-20509	2210-20300	2210-20350	2310-20356	2218-20208
<b>1270-02505</b>	250mm	3 jaw SP	Recess	2210-25603	2210-25602	2210-25606	2210-25607	8210-25608	2210-25509	2210-25300	2210-25350	2310-20356	2218-25208
<b>1270-03205</b>	315mm	3 jaw SP	Recess	2210-32603	2210-32602	2210-32606	2210-32607	8210-32608	2210-32509	2210-32300	2210-32350	2310-20356	2218-32208
<b>1270-03215</b>	315mm	3j SP TJ	Recess	2210-32603	2210-32602	2210-32606	2210-32607	8210-32608	2210-32509	2210-32300	2210-32350	2310-20356	2218-32208
<b>1271-42505</b>	250mm	3 jaw SP	A1-6	2210-25603	2210-25602	2210-25606	2210-25607	8210-25608	2210-25509	2210-25300	2210-25350	2310-20356	2218-25208
<b>1271-43205</b>	315mm	3 jaw SP	A1-6	2210-32603	2210-32602	2210-32606	2210-32607	8210-32608	2210-32509	2210-32300	2210-32350	2310-20356	2218-32208
<b>1271-53205</b>	315mm	3 jaw SP	A1-8	2210-32603	2210-32602	2210-32606	2210-32607	8210-32608	2210-32509	2210-32300	2210-32350	2310-20356	2218-32208
<b>1272-21305</b>	125mm	3 jaw SP	D1-3	2210-13603	2210-13602	2210-13606	2210-13607	8210-13608	2210-13509	2210-13300	2210-13350	2210-13356	2210-13395
<b>1272-21705</b>	160mm	3 jaw SP	D1-3	2210-17603	2210-17602	2210-17606	2210-17607	8210-17608	2210-17509	2210-17300	2210-17350	2210-13356	2210-17395
<b>1272-31305</b>	125mm	3 jaw SP	D1-4	2210-13603	2210-13602	2210-13606	2210-13607	8210-13608	2210-13509	2210-13300	2210-13350	2210-13356	2210-13395
<b>1272-31705</b>	160mm	3 jaw SP	D1-4	2210-17603	2210-17602	2210-17606	2210-17607	8210-17608	2210-17509	2210-17300	2210-17350	2210-13356	2210-17395
<b>1272-32005</b>	200mm	3 jaw SP	D1-4	2210-20603	2210-20602	2210-20606	2210-20607	8210-20608	2210-20509	2210-20300	2210-20350	2310-20356	2218-20208
<b>1272-42005</b>	200mm	3 jaw SP	D1-5	2210-20603	2210-20602	2210-20606	2210-20607	8210-20608	2210-20509	2210-20300	2210-20350	2310-20356	2218-20208
<b>1272-42505</b>	250mm	3 jaw SP	D1-5	2210-25603	2210-25602	2210-25606	2210-25607	8210-25608	2210-25509	2210-25300	2210-25350	2310-20356	2218-25208
<b>1272-52005</b>	200mm	3 jaw SP	D1-6	2210-20603	2210-20602	2210-20606	2210-20607	8210-20608	2210-20509	2210-20300	2210-20350	2310-20356	2218-20208
<b>1272-52505</b>	250mm	3 jaw SP	D1-6	2210-25603	2210-25602	2210-25606	2210-25607	8210-25608	2210-25509	2210-25300	2210-25350	2310-20356	2218-25208
<b>1272-53205</b>	315mm	3 jaw SP	D1-6	2210-32603	2210-32602	2210-32606	2210-32607	8210-32608	2210-32509	2210-32300	2210-32350	2310-20356	2218-32208
<b>1272-62505</b>	250mm	3 jaw SP	D1-8	2210-25603	2210-25602	2210-25606	2210-25607	8210-25608	2210-25509	2210-25300	2210-25350	2310-20356	2218-25208
<b>1272-63205</b>	315mm	3 jaw SP	D1-8	2210-32603	2210-32602	2210-32606	2210-32607	8210-32608	2210-32509	2210-32300	2210-32350	2310-20356	2218-32208
<b>1272-73205</b>	315mm	3 jaw SP	D1-11	2210-32603	2210-32602	2210-32606	2210-32607	8210-32608	2210-32509	2210-32300	2210-32350	2310-20356	2218-32208
<b>1273-11305</b>	125mm	3 jaw SP	L00	2210-13603	2210-13602	2210-13606	2210-13607	8210-13608	2210-13509	2210-13300	2210-13350	2210-13356	2210-13395
<b>1273-11705</b>	160mm	3 jaw SP	L00	2210-17603	2210-17602	2210-17606	2210-17607	8210-17608	2210-17509	2210-17300	2210-17350	2210-13356	2210-17395
<b>1273-12005</b>	200mm	3 jaw SP	L00	2210-20603	2210-20602	2210-20606	2210-20607	8210-20608	2210-20509	2210-20300	2210-20350	2310-20356	2218-20208



Chuck no/ Model no.	Size	Type	Mount	Inside Jaws (3)	Outside Jaws (3)	Soft Jaws (3)	Base Jaws (3)	Hard Top Jaws (3)	Soft Top Jaw (ea)	Scroll	Pinion	Pinion Retainer	Key
1273-21705	160mm	3 jaw SP	L0	2210-17603	2210-17602	2210-17606	2210-17607	8210-17608	2210-17509	2210-17300	2210-17350	2210-13356	2210-17395
1273-22005	200mm	3 jaw SP	L0	2210-20603	2210-20602	2210-20606	2210-20607	8210-20608	2210-20509	2210-20300	2210-20350	2310-20356	2218-20208
1273-22505	250mm	3 jaw SP	L0	2210-25603	2210-25602	2210-25606	2210-25607	8210-25608	2210-25509	2210-25300	2210-25350	2310-20356	2218-25208
1273-32005	200mm	3 jaw SP	L1	2210-20603	2210-20602	2210-20606	2210-20607	8210-20608	2210-20509	2210-20300	2210-20350	2310-20356	2218-20208
1273-32505	250mm	3 jaw SP	L1	2210-25603	2210-25602	2210-25606	2210-25607	8210-25608	2210-25509	2210-25300	2210-25350	2310-20356	2218-25208
1274-21305	125mm	3 jaw SP	DIN-4	2210-13603	2210-13602	2210-13606	2210-13607	8210-13608	2210-13509	2210-13300	2210-13350	2210-13356	2210-13395
1274-32005	200mm	3 jaw SP	DIN-5	2210-20603	2210-20602	2210-20606	2210-20607	8210-20608	2210-20509	2210-20300	2210-20350	2310-20356	2218-20208
1274-42005	200mm	3 jaw SP	DIN-6	2210-20603	2210-20602	2210-20606	2210-20607	8210-20608	2210-20509	2210-20300	2210-20350	2310-20356	2218-20208
1274-42505	250mm	3 jaw SP	DIN-6	2210-25603	2210-25602	2210-25606	2210-25607	8210-25608	2210-25509	2210-25300	2210-25350	2310-20356	2218-25208
1274-43205	315mm	3 jaw SP	DIN-6	2210-32603	2210-32602	2210-32606	2210-32607	8210-32608	2210-32509	2210-32300	2210-32350	2310-20356	2218-32208
1274-52505	250mm	3 jaw SP	DIN-8	2210-25603	2210-25602	2210-25606	2210-25607	8210-25608	2210-25509	2210-25300	2210-25350	2310-20356	2218-25208
1274-53205	315mm	3 jaw SP	DIN-8	2210-32603	2210-32602	2210-32606	2210-32607	8210-32608	2210-32509	2210-32300	2210-32350	2310-20356	2218-32208
1277-13010	125mm	Jones & Shipman		2210-13603	2210-13602	2210-13606	2210-13607	8210-13608	2210-13509	2210-13300	2210-13350	2210-13356	2218-13208
1277-17000	160mm	See 1277-17020											
1277-17010	160mm	B2-3 adaptor		2210-17603	2210-17602	2210-17606	2210-17607	8210-17608	2210-17509	2210-17300	2210-17350	2210-13356	2210-17395
1277-17020	160mm	modified for Gowring/Octopus. Fitted with 1" higher than standard soft jaws only.											
1277-20000	200mm	(On indexing unit)		2210-20603	2210-20602	2210-20606	2210-20607	8210-20608	2210-20509	2210-20300	2210-20350	2310-20356	2218-20208
1277-21000	200mm	Spec. outside jaws		2210-20603	7219-20001	2210-20606	2210-20607	8210-20608	2210-20509	2210-20300	2210-20350	2310-20356	2218-20208
1277-21010	200mm	With grease nipple		2210-20603	2210-20602	2210-20606	2210-20607	8210-20608	2210-20509	2210-20300	2210-20350	2310-20356	2218-20208
1277-21020	200mm	Large bore + adaptor		2210-20603	2210-20602	2210-20606	2210-20607	8210-20608	2210-20509	2210-20300	2210-20350	2310-20356	2218-20208
1277-25000	250mm	Steel body		2210-25603	2210-25602	2210-25606	2210-25607	8210-25608	2210-25509	2210-25300	2210-25350	2310-20356	2218-25208
1277-25010	250mm	Steel body A1-6		2210-25603	2210-25602	2210-25606	2210-25607	8210-25608	2210-25509	2210-25300	2210-25350	2310-20356	2218-25208
1277-25015	250mm	Special mounting		2210-25603	2210-25602	2210-25606	2210-25607	8210-25608	2210-25509	2210-25300	2210-25350	2310-20356	2218-25208
1277-32000	315mm	Mod. 1272-63205		2210-32603	2210-32602	2210-32606	2210-32607	8210-32608	2210-32509	2210-32300	2210-32350	2310-20356	2218-32208
1278-10130	100mm	3 jaw Myford (Screw)		2580-10603	2580-10602	2580-10606	2580-10607	8210-10608	2580-10509	2580-10300	2580-10350	2580-08356	2580-10395
1278-10170	4"	3 jaw SVA	20W	2580-10603	2580-10602	2580-10606	2580-10607	8210-10608	2580-10509	2270-10330	2580-10350	2580-08356	2580-10395
1278-10180	4"	3 jaw SVB	25W	2580-10603	2580-10602	2580-10606	2580-10607	8210-10608	2580-10509	2270-10330	2580-10350	2580-08356	2580-10395
1278-13180	125mm	3 jaw SVB	25W	2210-13603	2210-13602	2210-13606	2210-13607	8210-13608	2210-13509	2210-13300	2210-13350	2210-13356	2210-13395
1279-00640	15"	3 jaw SP	D1-11	2580-38603	2580-38602	2580-38606	2580-38607	8210-40608	2580-38509	2980-38300	2980-38350	2980-31355	2980-38395
1279-01320	200mm	3 jaw SP	Recess	2210-20603	2210-20602	2210-20606	2210-20607	8210-20608	2210-20509	2210-20300	2210-20350	2310-20356	2218-20208
1279-01341	200mm	3 jaw TJ	Recess	2210-20603	2210-20602	2210-20606	2210-20607	8210-20608	2210-20509	2210-20300	2210-20350	2310-20356	2218-20208
1279-01360	200mm	3 jaw SP	A1-5	2210-20603	2210-20602	2210-20606	2210-20607	8210-20608	2210-20509	2210-20300	2210-20350	2310-20356	2218-20208
1279-01381	200mm	3 jaw TJ	A1-5	2210-20603	2210-20602	2210-20606	2210-20607	8210-20608	2210-20509	2210-20300	2210-20350	2310-20356	2218-20208
1279-01400	200mm	3 jaw SP	A1-6	2210-20603	2210-20602	2210-20606	2210-20607	8210-20608	2210-20509	2210-20300	2210-20350	2310-20356	2218-20208
1279-01440	250mm	3 jaw St.	Rec. A&B	2210-25603	2210-25602	2210-25606	2210-25607*	8210-25608	2210-25509	2210-25300	2210-25350	2310-20356	2218-25208
1279-01460	250mm	3 jaw St.	Rec. TJ	2210-25603	2210-25602	2210-25606	2210-25607*	8210-25608	2210-25509	2210-25300	2210-25350	2310-20356	2218-25208
1279-01461	250mm	3 jaw TJ	Recess	2210-25603	2210-25602	2210-25606	2210-25607*	8210-25608	2210-25509	2210-25300	2210-25350	2310-20356	2218-25208
1279-01520	315mm	3 jaw SP	Recess	2210-32603	2210-32602	2210-32606	2210-32607	8210-32608	2210-32509	2210-32300	2210-32350	2310-20356	2218-32208
1279-01541	315mm	3 jaw TJ	Recess	2210-32603	2210-32602	2210-32606	2210-32607	8210-32608	2210-32509	2210-32300	2210-32350	2310-20356	2218-32208
1280-01005	100mm	4 jaw SP	Recess	2590-10603	2590-10602	2590-10606	2590-10607	2590-10608	2580-10509	2580-10300	2580-10350	2580-08356	2580-10395
1280-01305	125mm	4 jaw SP	Recess	2230-13603	2230-13602	2230-13606	2230-13607	2230-13608	2210-13509	2210-13300	2210-13350	2210-13356	2210-13395
1280-01705	160mm	4 jaw SP	Recess	2230-17603	2230-17602	2230-17606	2230-17607	2230-17608	2210-17509	2210-17300	2210-17350	2210-13356	2210-17395
1280-02005	200mm	4 jaw SP	Recess	2230-20603	2230-20602	2230-20606	2230-20607	2230-20608	2210-20509	2210-20300	2210-20350	2310-20356	2218-20208
1280-02505	250mm	4 jaw SP	Recess	2230-25603	2230-25602	2230-25606	2230-25607	2230-25608	2210-25509	2210-25300	2210-25350	2310-20356	2218-25208
1280-03205	315mm	4 jaw SP	Recess	2230-32603	2230-32602	2230-32606	2230-32607	2230-32608	2210-32509	2210-32300	2210-32350	2310-20356	2218-32208
1287-25000	250mm	Modified jaws		2230-25603	2230-25602	2230-25606	2230-25607	2230-25608	2210-25509	2210-25300	2210-25350	2310-20356	2218-25208
1287-25010	250mm	D1-6 adaptor		2230-25603	2230-25602	2230-25606	2230-25607	2230-25608	2210-25509	2210-25300	2210-25350	2310-20356	2218-25208

\* Metric tapped holes.





Chuck no./ Model no.	Size	Type	Mount	Inside Jaws (3)	Outside Jaws (3)	Soft Jaws (3)	Base Jaws (3)	Hard Top Jaws (3)	Soft Top Jaw (ea)	Scroll	Pinion	Pinion Retainer	Key
1287-25020	250mm	Special jaws		2287-25021	2287-25020	2230-25606	2230-25607	2230-25608	2210-25509	2210-25300	2210-25350	2310-20356	2218-25208
1287-32000	315mm	Addn. soft top jaws		2230-32603	2230-32602	2230-32606	2230-32607	2230-32608	2210-32509	2210-32300	2210-32350	2310-20356	2218-32208
1287-32010	315mm	Spec.soft jaws + bore		2230-32603	2230-32602	7239-32001	2230-32607	2230-32608	2210-32509	2210-32300	2210-32350	2310-20356	2218-32208
1287-32020	315mm	Special soft jaws		2230-32603	2230-32602	7239-32001	2230-32607	2230-32608	2210-32509	2210-32300	2210-32350	2310-20356	2218-32208
129	3"	3 j Griptru	Recess	2580-08603	2580-08602	2580-08606	-	-	-	2580-08300	2580-08350	2580-08356	2630-08395
				(Micro-screw = 2630-08360)								Micro screw key = SSKEYL0.156	
129M	3"	3 j Griptru	Myford	2580-08603	2580-08602	2580-08606	-	-	-	2580-08300	2580-08350	2580-08356	2630-08395
				(Micro-screw = 2630-08360)								Micro screw key = SSKEYL0.156	
1308-10010	4" 3 j	Atlas 6611	1"-10	2308-10021	2308-10020	-	-	-	-	2308-10012	2308-10013	-	2308-10015
1308-10280	4" 3 j	Atlas		2308-10021	2308-10020	-	-	-	-	2308-10012	2308-10013	-	2308-10015
1308-14010	5" 3j	Atlas 6612	1.5"-8	2308-14021	2308-14020	-	-	-	-	2308-14012	2308-16013	-	2308-14015
1308-16010	6" 3j	Atlas 6613	1.5"-8	2308-16021	2308-16020	-	-	-	-	2308-16012	-	-	2308-14015
130	4"	3 j Griptru	Recess	2580-10603	2580-10602	2580-10606	2580-10607	8210-10608	2580-10509	2580-10300	-	2580-08356	2630-10395
				(Micro-screw = 2630-10360)								Micro screw key = SSKEYL0.188	
130A	5"	3 j Griptru	Recess	2210-13603	2210-13602	2210-13606	2210-13607	8210-13608	2210-13509	2580-14300	2580-14350	2580-14356	2630-10395
				(Micro-screw = 2630-14360)								Micro screw key = SSKEYL0.188	
130AZ	5"	6 j Griptru	Recess	2260-13603	2260-13602	2260-13606	2260-13607	2260-13608	2210-13509	2580-14300	2580-14350	2580-14356	2630-10395
				(Micro-screw = 2630-14360)								Micro screw key = SSKEYL0.188	
130M	4"	3 j Griptru	Myford	2580-10603	2580-10602	2580-10606	2580-10607	8210-10608	2580-10509	2580-10300	2580-10350	2580-08356	2630-10395
130MR	4"	3 j Griptru	Myford	2580-10603	2580-10602	2580-10606	2580-10607	8210-10608	2580-10509	2580-10300	2580-10350	2580-08356	2630-10395
131	6"	3 jaw Griptru BP		2210-17603	2210-17602	2210-17606	2210-17607	8210-17608	2210-17509	2580-16300	2580-16350	2580-16356	2210-17395
				(Micro-screw = 2630-16360)								Micro screw key = SSKEYS0.219	
131Z	6"	6 jaw Griptru BP		2260-17603	2260-17602	2260-17606	2260-17607	8260-17608	2210-17509	2580-16300	2580-16350	2580-16356	2210-17395
				(Micro-screw = 2630-16360)								Micro screw key = SSKEYS0.219	
1312-52505	250mm	3 j Supercentric D1-6		2210-25603	2210-25602	2210-25606	2210-25607	8210-25608	2210-25509	2310-25300	2310-25350	2310-20356	2500-32395
1312-53205	315mm	3 j Supercentric D1-6		2210-32603	2210-32602	2210-32606	2210-32607	8210-32608	2210-32509	2310-32300	2310-32350	2310-20356	2500-32395
1312-63205	315mm	3 j Supercentric D1-8		2210-32603	2210-32602	2210-32606	2210-32607	8210-32608	2210-32509	2310-32300	2310-32350	2310-20356	2500-32395
1312-73205	315mm	3 j Supercentric D-11		2210-32603	2210-32602	2210-32606	2210-32607	8210-32608	2210-32509	2310-32300	2310-32350	2310-20356	2500-32395
1460-00415	2 1/8"	3 jaw Lever Scroll		Spares not available.		Manufactured by Bani (later Reishauer Spannmittel) of Switzerland.							
1460-00615	2 3/4"	3 jaw Lever Scroll		Spares not available.		Manufactured by Bani (later Reishauer Spannmittel) of Switzerland.							
1460-00705	3"	3 jaw Lever Scroll		2460-07603	2460-07602	2460-07606	-	-	-	2460-07300	-	-	-
1460-01005	4"	3 jaw Lever Scroll		2460-10603	2460-10602	2460-10606	-	-	-	2460-10300	-	-	-
1468-65290	65mm	3 jaw LS	Cowell	No spares available.									
1469-00020	200mm	3 jaw Lever Scroll		-	-	-	2469-00024	2469-00025	-	2469-00021	-	-	-
151	8" BP	3 j Griptru	Recess	2580-19603	2580-19602	2580-19606	2580-19607	2580-19608	2580-19509	2580-21300	2580-21350	2580-16356	2980-26395
												Micro screw = 2630-21360 (obsolete). Micro screw key = ?	
151Z	8" BP	6 j Griptru	Recess	2640-19603	2640-19602	2640-19606	-	-	-	2580-21300	2580-21350	2580-16356	2980-26395
154	10.5"BP	3 j Griptru	Recess	2580-27603	2580-27602	2580-27606	2580-27607	2580-27608	2580-27509	2580-27300	2580-27350	2580-27356	2980-26395
												Micro screw = 2630-27360. Micro screw key = SSKEYL0.375	
154Z	10.5"BP	6 j Griptru	Recess	2640-27603	2640-27602	2640-27606	-	-	-	2580-27300	2580-27350	2580-27356	2980-26395
155	12" BP	3 j Griptru	Recess	2580-27603	2580-27602	2580-27606	2580-31607	2580-31608	2580-31509	2580-31300	2580-31350	-	2980-26395
												Micro screw = 2630-27360. Micro screw key = SSKEYL0.375	
155Z	12" BP	6 j Griptru	Recess	2640-27603	2640-27602	2640-27606	-	-	-	2580-31300	2580-31350	-	2980-26395



Chuck no./ Model no.	Size	Type	Mount	Inside Jaws (3)	Outside Jaws (3)	Soft Jaws (3)	Base Jaws (3)	Hard Top Jaws (3)	Soft Top Jaw (ea)	Scroll	Pinion	Pinion Retainer	Key	
1580-00805	3" BP	3 jaw Iron	Recess	2580-08603	2580-08602	2580-08606	n/a	n/a	n/a	2580-08300	2580-08350	2580-08356	2580-08395	
1580-01005	4" BP	3 jaw Iron	Recess	2580-10603	2580-10602	2580-10606	2580-10607	8210-10608	2580-10509	2580-10300	2580-10350	2580-08356	2580-10395	
1580-01405	5" BP	3 jaw Iron	Recess	2210-13603	2210-13602	2210-13606	2210-13607	8210-13608	2210-13509	2580-14300	2580-14350	2580-14356	2580-10395	
1580-02305	9" BP	3 jaw Iron	Model 53	2580-23603	2580-23602	2580-23606	2580-23607	2580-23608	Obsolete	2580-23300	2580-23350	2580-16356	2580-38395	
1580-03105	12" BP	3 jaw Iron	Model 55	2580-27603	2580-27602	2580-27606	2580-31607	2580-31608	Obsolete	2580-31300	2580-31350	2580-27356	2580-38395	
1580-03805	15"	3 jaw Iron	Recess	2580-38603	2580-38602	2580-38606	2580-38607	8210-40608	2580-38509	2580-38300	2580-38350	2980-31355	2580-38395	
1580-03815	15"	3 jaw TJ	Recess	2580-38603	2580-38602	2580-38606	2580-38607	8210-40608	2580-38509	2580-38300	2580-38350	2980-31355	2580-38395	
1580-04605	18"	3 jaw Iron	Recess	2580-46603	2580-46602	2580-46606	2580-46607	2980-38608	2980-38509	2580-46300	2580-46350	2980-31355	2980-38395	
1580-04615	18"	3 jaw TJ	Recess	2580-46603	2580-46602	2580-46606	2580-46607	2980-38608	2980-38509	2580-46300	2580-46350	2980-31355	2980-38395	
1580-05305	21"	3 jaw Iron	Recess	2580-46603	2580-46602	2580-46606	2580-46607	2980-38608	2980-38509	2580-53300	2580-53350	2980-31355	2980-38395	
1580-06105	24"	3 jaw Iron	Recess	2580-46603	2580-46602	2580-46606	2580-46607	2980-38608	2980-38509	2580-53300	2580-61350	2980-31355	2980-38395	
1580-06115	24"	3 jaw TJ	Recess	2580-46603	2580-46602	2580-46606	2580-46607	2980-38608	2980-38509	2580-53300	2580-61350	2980-31355	2980-38395	
1580-11005	4" BP	3 jaw Iron	Recess	2580-10603	2580-10602	2580-10606	2580-10607	8210-10608	2580-10509	2580-10300	2580-10350	2580-08356	2580-10395	
1581-43805	15"	3 jaw Iron	A1-6	2580-38603	2580-38602	2580-38606	2580-38607	8210-40608	2580-38509	2580-38300	2580-38350	2980-31355	2580-38395	
1581-53805	15"	3 jaw Iron	A1-8	2580-38603	2580-38602	2580-38606	2580-38607	8210-40608	2580-38509	2580-38300	2580-38350	2980-31355	2580-38395	
1581-55305	21"	3 jaw Iron	A1-8	2580-46603	2580-46602	2580-46606	2580-46607	2980-38608	2980-38509	2580-53300	2580-53350	2980-31355	2980-38395	
1582-63805	15"	3 jaw Iron	D1-8	2580-38603	2580-38602	2580-38606	2580-38607	8210-40608	2580-38509	2580-38300	2580-38350	2980-31355	2580-38395	
1582-64605	18"	3 jaw Iron	D1-8	2580-46603	2580-46602	2580-46606	2580-46607	2980-38608	2980-38509	2580-46300	2580-46350	2980-31355	2980-38395	
1582-73805	15"	3 jaw Iron	D1-11	2580-38603	2580-38602	2580-38606	2580-38607	8210-40608	2580-38509	2580-38300	2580-38350	2980-31355	2580-38395	
1582-74605	18"	3 jaw Iron	D1-11	2580-46603	2580-46602	2580-46606	2580-46607	2980-38608	3980-38509	2580-46300	2580-46350	2980-31355	2980-38395	
1583-43805	15"	3 jaw Iron	L2	2580-38603	2580-38602	2580-38606	2580-38607	8210-40608	2580-38509	2580-38300	2580-38350	2980-31355	2580-38395	
1584-53805	15"	3 jaw Iron	DIN 8	2580-38603	2580-38602	2580-38606	2580-38607	8210-40608	2580-38509	2580-38300	2580-38350	2980-31355	2580-38395	
1584-63805	15"	3 jaw Iron	DIN 11	2580-38603	2580-38602	2580-38606	2580-38607	8210-40608	2580-38509	2580-38300	2580-38350	2980-31355	2580-38395	
1584-64605	18"	3 jaw Iron	DIN 11	2580-46603	2580-46602	2580-46606	2580-46607	2980-38608	2980-38509	2580-46300	2580-46350	2980-31355	2980-38395	
1587-08017	80mm	Special i/s & os jaws		7589-08008	7589-08009	Other spares as 1580-00805.								
1587-08030	80mm	With special key		2580-08603	2580-08602	2580-08606	n/a	n/a	n/a	2580-08300	2580-08350	2580-08356	2587-08030	
1587-08040	80mm	Spares as 1580-00805. See also 9277-08000. Boxford mount.												
1587-10000	100mm	Spares as 1580-01005. Additional tapped holes.												
1587-10010	4"	3 jaw Iron	J & S	2580-10603	2580-10602	2580-10606	2580-10607	8210-10608	2580-10509	2580-10300	2580-10350	2580-08356	2587-10010/A	
1587-16000	6"	Spares as model 31? Long key.												
1587-21000	8"	Spares as model 51? Long key.												
1587-38000	15"	Spares as 1580-03805. 7.5" recess. Extra holes.												
1587-38010	15"	Spares as 1580-03815. TJ. Extra holes.												
1587-38020	15"	Spares as 1580-03805. 7.0" recess. Extra holes.												
1587-38030	15"	Spares as 1580-03805. 8.0" recess. Extra holes.												
1587-38040	15"	7.5" recess		2580-38603	2580-38602	2580-38606	2580-38607	8210-40608	2580-38509	2580-38300	2580-38350	2980-31355	2580-38395	
1587-38050	15"	Spec. parts. TJ.		-	-		2580-38607	8210-40608			2587-38050		2218-32208	
1587-38060	15"	Spec. hard top. Other parts as 1580-03805. 7" recess.							7589-38005/6					
1587-38070	15"	Special key.		2580-38603	2580-38602	2580-38606	2580-38607	8210-40608	2580-38509	2580-38300	2580-38350	2980-31355	2587-38070	
1587-38080	15"			2580-38603	2580-38602	2580-38606	2580-38607	8210-40608	2580-38509	2580-38300	2580-38350	2980-31355	2580-38395	
1587-38090	15"	A1-8		2580-38603	2580-38602	2580-38606	2580-38607	8210-40608	2580-38509	2580-38300	2580-38350	2980-31355	2580-38395	





Chuck no./ Model no.	Size	Type	Mount	Inside Jaws (3)	Outside Jaws (3)	Soft Jaws (3)	Base Jaws (3)	Hard Top Jaws (3)	Soft Top Jaw (ea)	Scroll	Pinion	Pinion Retainer	Key	
1637-01000	4"	3 j Griptru	Long Key	2580-10603	2580-10602	2580-10606	2630-10360	8210-10608	2580-10509	2580-10300	2580-10350	2580-08356	2637-01001	
1637-01010	4"	Spares as 1630-01005. 1 1/8" x 12TPI mount.												
1637-01020	4"	Spares as 1630-01005. Special mount 2637-01020.												
1638-08120	3"	3 j Griptru	Recess	2580-08603	2580-08602	2580-08606	2630-08360	-	-	2580-08300	2580-08350	2580-08356	2638-08129	
1638-10130	4"	3 j Grip(Myford 130M)		2580-10603	2580-10602	2580-10606	2630-10360	8210-10608	2580-10509	2580-10300	2580-10350	2580-08356	2580-10395	
1638-10140	4"	3 j Grip (Myf. 130MR)		2580-10603	2580-10602	2580-10606	2630-10360	8210-10608	2580-10509	2580-10300	2580-10350	2580-08356	2580-10395	
1638-10170	4"	3 j Griptru	SVA	2580-10603	2580-10602	2580-10606	2630-10360	8210-10608	2580-10509	2580-10300	2580-10350	2580-08356	2580-10395	
1658-09040	85mm	6 j Drillgrinder	(ZB 25)	2658-09047	(Only one type of jaws supplied)			-	-	2658-09042	2658-09043	2580-08356	2658-09049	
1658-11040	110mm	6 j Drillgrinder	(ZB 32)	2658-11047	(Only one type of jaws supplied)			-	-	2658-11042	2580-11350	2588-14065	2580-10395	
1658-13880	125mm	6 j Drillgrinder		2658-13882	(Only one type of jaws supplied)			-	-	2210-13300	2210-13350	2210-13356	2210-13395	
1658-17880	160mm	6 j Drillgrinder		2658-17882	(Only one type of jaws supplied)			-	-	2270-17330	2219-00353	2210-13356	2210-17395	
1658-22880	225mm	6 j Drillgrinder		2658-22884	(Only one type of jaws supplied)			-	-	2658-22881	2658-22882	2210-20356	2218-20208	
1658-26880	250mm	6 j Drillgrinder		2658-26884	(Only one type of jaws supplied)			-	-	2658-26881	2658-26882	2658-26883	2218-25208	
1780-01005	4" BP	3 j Steel	Recess	2580-10603	2580-10602	2580-10606	-	8210-10608	2580-10509	2580-10300	2580-10350	2580-08356	2580-10395	
1780-01405	5" BP	3 j Steel	Recess	2210-13603	2210-13602	2210-13606	-	8210-13608	2210-13509	2580-14300	2580-14350	2580-14356	2580-10395	
1780-01605	6" BP	3 j Steel	Recess	2210-17603	2210-17602	2210-17606	2210-17607	8210-17608	2210-17509	2580-16300	2580-16350	2580-16356	2580-16395	
1780-01905	7.5"	3 j Steel	Recess	2210-20603	2210-20602	2210-20606	2210-20607	8210-20608	2210-20509	2780-19300	2780-19350	2780-19359	2980-17395	
1780-02305	9"	3 j Steel	Recess	2780-23603	2780-23602	2780-23606	2780-23607	2780-23608	2780-23509	2780-23300	2780-23350	2780-23359	2580-38395	
1780-02705	10.5"	3 j Steel	Recess	2210-25603	2210-25602	2210-25606	2210-25607	8210-25608	2210-25609	2780-27300	2780-27350	2780-23359	2580-38395	
1780-03105	12"	3 j Steel	Recess	2780-31603	2780-31602	2780-31606	2780-31607	8210-32608	2210-32509	2780-31300	2780-31350	2980-17355	2580-38395	
1780-03115	12"	3 j St.TJ	Recess	2780-31603	2780-31602	2780-31606	2780-31607	8210-32608	2210-32509	2780-31300	2780-31350	2980-17355	2580-38395	
1780-03805	15"	3 j Steel	Recess	2580-38603	2580-38602	2580-38606	2580-38607	8210-40608	2580-38509	2580-38300	2580-38350	2980-31355	2580-38395	
1780-03815	15"	3 j St.TJ	Recess	2580-38603	2580-38602	2580-38606	2580-38607	8210-40608	2580-38509	2580-38300	2580-38350	2980-31355	2580-38395	
1780-04605	18"	3 j Steel	Recess	2580-46603	2580-46602	2580-46606	2580-46607	2980-38608	2980-38509	2580-46300	2580-46350	2980-31355	2980-38395	
1780-04615	18"	3 j St.TJ	Recess	2580-46603	2580-46602	2580-46606	2580-46607	2980-38608	2980-38509	2580-46300	2580-46350	2980-31355	2980-38395	
1780-05305	21"	3 j Steel	Recess	2580-46603	2580-46602	2580-46606	2580-46607	2980-38608	2980-38509	2580-43300	2580-53350	2980-31355	2980-38395	
1780-06105	24"	3 j Steel	Recess	2580-46603	2580-46602	2580-46606	2580-46607	2980-38608	2980-38509	2580-53300	2580-61350	2980-31355	2980-38395	
1780-06115	24"	3 j St.TJ	Recess	2580-46603	2580-46602	2580-46606	2580-46607	2980-38608	2980-38509	2580-53300	2580-61350	2980-31355	2980-38395	
1782-31405	5"	3 j Steel	D1-4	2210-13603	2210-13602	2210-13606	2210-13607	8210-13608	2210-13509	2580-14300	2580-14350	2580-14356	2580-10395	
1782-42605	10"	3 j Steel	D1-5	2780-23603	2780-23602	2780-23606	2780-23607	2780-23608	2780-23509	Obsolete	2988-26994	2980-17355	2988-26991	
1782-63805}	15"	3 j Steel	D1-8	2580-38603	2580-38602	2580-38606	2580-38607	8210-40608	2580-38509	2980-38300	2980-38350	2980-31356	2980-38395	
1782-63805}	15"	3 j Steel	D1-8										or	2380-38350 & 2310-20356
1782-73805}	15"	3 j Steel	D1-11	2580-38603	2580-38602	2580-38606	2580-38607	-	-	2980-38300	2980-38350	2980-31356	2980-38395	
1782-73805}	15"	3 j Steel	D1-11	2580-38603	2580-38602	2580-38606	2580-38607	-	-	or 2380-38350 & 2310-20356				
1782-73815	15"	3 j St. TJ	D1-11	2580-38603	2580-38602	2580-38606	2580-38607	8210-40608	2580-38509	" "	" "	" "	" "	
1782-74605}	18"	3 j Steel	D1-11	2580-46603	2580-46602	2580-46606	2580-46607	2980-38608	2980-38509	2980-46300	2980-46350	2980-46355	2980-38395	
1782-74605}	18"	3 j Steel	D1-11	2580-46603	2580-46602	2580-46606	2580-46607	2980-38608	2980-38509	or 2380-46350 & 2310-20356				
1782-76115	24"	3 j St. TJ	D1-11	2580-46603	2580-46602	2580-46606	2580-46607	2980-38608	2980-38509	2980-66300	2389-02483	2310-20356	2980-38395	
1787-53050	21"	3 j St. TJ	11" recess	(May be Pratt or Amestra design).			2580-46607	2980-38608	2980-38509	2789-02492	2580-53350	2980-31356	2980-38395	
1787-19000	7.5" 3j	3j TJ Metric					2787-19000	2787-19002						
1787-19010	7.5" 3j	Spares generally as 1780-01905. Special jaws 2787-19010 fitted.												
1787-23000	9" 3jaw	Special adaptor.		2780-23603	2780-23602	2780-23606	2780-23607	2780-23608	2780-23509	2780-23300	2780-23350	2780-23359	2580-38395	
1787-23010	9" 3jaw	Spares as 1780-02305. Fitted with Lang adaptor 7780-27005.												
1787-23020	9" 3jaw	Modified recess.		2780-23603	2780-23602	2780-23606	2780-23607	2780-23608	2780-23509	2780-23300	2780-23350	2780-23359	2580-38395	
1787-23030	9" 3jaw	Additional holes.		2780-23603	2780-23602	2780-23606	2780-23607	2780-23608	2780-23509	2780-23300	2780-23350	2780-23359	2580-38395	
1787-23040	9" 3jaw	Additional holes.		2780-23603	2780-23602	2780-23606	2780-23607	2780-23608	2780-23509	2780-23300	2780-23350	2780-23359	2580-38395	
1787-23050	9" 3jaw	Additional holes.		2780-23603	2780-23602	2780-23606	2780-23607	2780-23608	2780-23509	2780-23300	2780-23350	2780-23359	2580-38395	
1787-25000	10" 3j	Modified pinion. No details of source chuck.										2988-26994	2988-26991	



Chuck no./ Model no.	Size	Type	Mount	Inside Jaws (3)	Outside Jaws (3)	Soft Jaws (3)	Base Jaws (3)	Hard Top Jaws (3)	Soft Top Jaw (ea)	Scroll	Pinion	Pinion Retainer	Key	
1787-26000	10" 3j	Bore increased to 3.125"												
1787-27000	10.5"	Modified recess		2210-25603	2210-25602	2210-25606	2210-25607	8210-25608	2210-25609	2780-27300	2780-27350	2780-23359	2580-38395	
1787-27010	10.5"	Spares generally as 1780-02705. D1-6 adaptor.					2210-25606	2210-25607	8210-25608	2780-23509	2780-27300	2780-27350	2780-23359	2580-38395
1787-27020	10.5"	3 j Steel	DIN 6	2210-25603	2210-25602	2210-25606	2210-25607	8210-25608	2210-25609	2780-27300	2780-27350	2780-23359	2580-38395	
1787-27030	10.5"	3 j Steel	Recess	2210-25603	2210-25602	2210-25606	2210-25607	8210-25608	2210-25609	2780-27300	2780-27350	2780-23359	Long Key	
1787-27040	10.5"	3 j Steel	Lang FL2A	2210-25603	2210-25602	2210-25606	2210-25607	8210-25608	2210-25609	2780-27300	2780-27350	2780-23359	2580-38395	
1787-27050	10.5"	Larger bore			2210-25603	2210-25602	2210-25606	2210-25607	8210-25608	2210-25609	2787-27052	2780-27350	2780-23359	2580-38395
1787-27060	10.5"	Modified recess		2210-25603	2210-25602	2210-25606	2210-25607	8210-25608	2210-25609	2780-27300	2780-27350	2780-23359	2580-38395	
1787-31000	12"	Modified recess		2780-31603	2780-31602	2780-31606	2780-31607	8210-32608	2210-32509	2780-31300	2780-31350	2980-17355	2580-38395	
1787-31010	12"	Modified recess		2780-31603	2780-31602	2780-31606	2780-31607	8210-32608	2210-32509	2780-31300	2780-31350	2980-17355	2580-38395	
1787-31020	12"	3 j Steel	DIN 8	2780-31603	2780-31602	2780-31606	2780-31607	8210-32608	2210-32509	2780-31300	2780-31350	2980-17355	2580-38395	
1787-31030	12"	3 j Steel	DIN 6	2780-31603	2780-31602	2780-31606	2780-31607	8210-32608	2210-32509	2780-31300	2780-31350	2980-17355	2580-38395	
1787-31040	12"	Additional holes			2780-31603	2780-31602	2780-31606	2780-31607	8210-32608	2210-32509	2780-31300	2780-31350	2980-17355	2580-38395
1787-31050	12"	Additional holes			2780-31603	2780-31602	2780-31606	2780-31607	8210-32608	2210-32509	2780-31300	2780-31350	2980-17355	2580-38395
1787-31060	12"	Spares as 1780-03105. Additional holes. BS7.5" recess .						2780-31607	8210-32608	2210-32509	2780-31300	2780-31350	2980-17355	2580-38395
1787-31070	12"	3 j Steel	8" recess	2780-31603	2780-31602	2780-31606	2780-31607	8210-32608	2210-32509	2780-31300	2780-31350	2980-17355	2580-38395	
1787-31075	12" 3j	Spares generally as 1780-03105. Two-piece jaws fitted. A2-8						2780-31607	8210-32608	2210-32509	2780-31300	2780-31350	2980-17355	2580-38395
1787-31080	12" 3j	Spares generally as 1780-03105. Two-piece jaws fitted. B1-8						2780-31607	8210-32608	2210-32509	2780-31300	2780-31350	2980-17355	2580-38395
1787-31085	12" 3j	Spares generally as 1780-03105. Jaws to common tooling height.												
1787-38000	15" 3j	Spares generally as 1780-03805. Ground scroll fitted.						2580-38607	8210-40608	2580-38509	2380-38300			
1787-38010	15" 3j	7" bore.						2787-38013	Special					
1787-38020	15" 3j	Balanced scroll.									2980-38300			
1787-38030	15" 3j	3 j Steel	DIN 8	2580-38603	2580-38602	2580-38606	2580-38607	8210-40608	2580-38509	2580-38300	2580-38350	2980-31355	2580-38395	
1787-38040	15" 3j	Spares generally as 1780-03805. A2-6 mount. Additional holes.												
1787-38050	15" 3j	3 j Steel	4" bore	2580-38603	2580-38602	2580-38606	2580-38607	8210-40608	2580-38509		2580-38350	2980-31355	2580-38395	
1787-38060	15" 3j	3 j Steel	4.75" bore	2580-38603	2580-38602	2580-38606	2580-38607	8210-40608	2580-38509	2787-38062	2580-38350	2980-31355	2580-38395	
1787-38070	15" 3j	3 j Steel	4.75" bore	2580-38603	2580-38602	2580-38606	2580-38607	8210-40608	2580-38509		2580-38350	2980-31355	2580-38395	
1787-38080	15" 3j	Bore 105mm. Special base jaws. DIN 11 mount						E2838-36						
1787-38090	15" 3j	Spares as 1780-03815. Bore 4.0" TJ					2580-38606	2580-38607	8210-40608	2580-38509		2580-38350	2980-31355	2580-38395
1787-38095	15" 3j	Spares as 1780-03815. L2 mount. Long key.					2580-38606	2580-38607	8210-40608	2580-38509	2580-38300	2580-38350	2980-31355	2787-38095
1787-38100	15" 3j	Spares as 1780-03815. Bore 4.0" .TJ . L2 mount					2580-38606	2580-38607	8210-40608	2580-38509		2580-38350	2980-31355	2580-38395
1787-38105	15" 3j	Spares as 1780-03815. Bore 4.0" .TJ . L2 mount					2580-38606	2580-38607	8210-40608	2580-38509		2580-38350	2980-31355	2580-38395
1787-38110	15" 3j	Spares as 1780-03805. Special 10" mount.					2580-38606	2580-38607	8210-40608	2580-38509		2580-38350	2980-31355	2580-38395
1787-38115	15" 3j	Spares as 1782-73805. Fitted with TJ.					2580-38606	2580-38607	8210-40608	2580-38509		2580-38350	2980-31355	2580-38395
1787-46000	18" 6j	Lang FL2A mount.		7589-46000	7589-46001					2580-46300	2580-46350	2980-31355	2980-38395	
1787-46010	18" 3j	DIN 8		2580-46603	2580-46602	2580-46606	2580-46607	2980-38608	2980-38509	2580-46300	2580-46350	2980-31355	2980-38395	
1787-46020	18" 3j	D1-8 TJ		2580-46603	2580-46602	2580-46606	2580-46607	7789-46000	2980-38509	2580-46300	2580-46350	2980-31355	2980-38395	
1787-46030	18" 3j	Bore 145mm			2580-46603	2580-46602	2580-46606	2580-46607	2980-38608	2980-38509	2580-46300	2580-46350	2980-31355	2980-38395
1787-46040	18" 3j	Spares as 1780-04605. Bore 5.25".					2580-46602	2580-46606	2980-38608	2980-38509		2580-46350	2980-31355	2980-38395
1787-46050	18" 3j	Spares as 1780-04605. Bore 145mm. TJ.						2580-46607	2980-38608	2980-38509		2580-46350	2980-31355	2980-38395
1787-46060	18" 3j	Spares as 1780-04605. A1-11 mount. Spec. mounting bolts.						2580-46607	2980-38608	2980-38509	2580-46300	2580-46350	2980-31355	2980-38395
1787-46065	18" 3j	Long Key			2580-46603	2580-46602	2580-46606	2580-46607	2980-38608	2980-38509	2580-46300	2580-46350	2980-31355	2787-46045
1787-46070	18" 3j	Spares as 1780-04605. DIN 15 mount. TJ. Bore 130mm.						2580-46607	2980-38608	2980-38509		2580-46350	2980-31355	2980-38395
1787-46075	18" 3j	Spares as 1780-04605. TJ. DIN 11 mount.						2580-46607	2980-38608	2980-38509	2580-46300	2580-46350	2980-31355	2980-38395
1787-46080	18" 3j	Spares as 1780-04605. Bore 130mm.						2580-46607	2980-38608	2980-38509		2580-46350	2980-31355	2980-38395
1787-46085	18" 3j	D1-11		2580-46603	2580-46602	2580-46606	2580-46607	2980-38608	2980-38509	2580-46300	2580-46350	2980-31355	2980-38395	
1787-46095	18" 3j	D1-11 TJ		2580-46603	2580-46602	2580-46606	2580-46607	2980-38608	2980-38509	2580-46300	2580-46350	2980-31355	2980-38395	
1787-53000	21" 3j	3 j Steel	DIN 8	2580-46603	2580-46602	2580-46606	2580-46607	2980-38608	2980-38509	2580-43300	2580-53350	2980-31355	2980-38395	
1787-53010	21" 3j	3 j Steel	A1-11	2580-46603	2580-46602	2580-46606	2580-46607	2980-38608	2980-38509	2580-43300	2580-53350	2980-31355	2980-38395	



Chuck no./ Model no.	Size	Type	Mount	Inside Jaws (3)	Outside Jaws (3)	Soft Jaws (3)	Base Jaws (3)	Hard Top Jaws (3)	Soft Top Jaw (ea)	Scroll	Pinion	Pinion Retainer	Key	
1787-53020	21" 3j	3 j Steel	A1-15	2580-46603	2580-46602	2580-46606	2580-46607	2980-38608	2980-38509	2580-43300	2580-53350	2980-31355	2980-38395	
1787-53030	21" 3j	3 j Steel	DIN-15	2580-46603	2580-46602	2580-46606	2580-46607	2980-38608	2980-38509	2580-43300	2580-53350	2980-31355	2980-38395	
1787-53040	21" 3j	3 j Steel	9.5" recess.	2580-46603	2580-46602	2580-46606	2580-46607	2980-38608	2980-38509	2580-43300	2580-53350	2980-31355	2980-38395	
1787-53060	21" 3j	3 j Steel	A2-11	2580-46603	2580-46602	2580-46606	2580-46607	2980-38608	2980-38509	2580-43300	2580-53350	2980-31355	2980-38395	
1787-61000	24" 3j	Spares as 1780-06105. Bore 5.5". Recess 9.5".												
1787-61010	24" 3j	3 j Steel	DIN 11	2580-46603	2580-46602	2580-46606	2580-46607	2980-38608	2980-38509	2580-53300	2580-61350	2980-31355	2980-38395	
1787-61020	24" 3j	3 j Steel		2580-46603	2580-46602	2580-46606	2580-46607	2980-38608	2980-38509	2580-53300	2580-61350	2980-31355	2980-38395	
1787-61030	24" 3j	3 j Steel	A1-15	2580-46603	2580-46602	2580-46606	2580-46607	2980-38608	2980-38509	2580-53300	2580-61350	2980-31355	2980-38395	
1787-61040	24" 3j	3 j Steel	A1-11	2580-46603	2580-46602	2580-46606	2580-46607	2980-38608	2980-38509	2580-53300	2580-61350	2980-31355	2980-38395	
1787-61050	24" 3j	As 1789-02460 with 10.25" bore, 13" recess.												
1787-61060	24" 3j	Spares as 1780-06115. T.J. A2-20 mount.												
<b>Duplicate record</b>														
1787-61060	24" 3j	3 j Steel	D1-11	2580-46603	2580-46602	2580-46606	2580-46607	2980-38608	2980-38509	2580-53300	2580-61350	2980-31355	2980-38395	
1787-61070	24" 3j	Spares as 1780-06105. DIN 15 mount. T.J. Bore 140mm.												
1787-61080	24" 3j	Spares as 1780-06105. DIN 15 mount. T.J. Bore 140mm.												
1787-63000	26" 3j	No record of original chuck. 18.5" recess T.J. Mat. list A16862.												
1787-91000	36" 3j	Based on 1782-79125. T.J. Special base jaws.						2787-91000						
1787-92000	36" 3j	Everything special about this chuck!												
1788-22990	8.25"	3 j Steel	D1-6	2780-22603	2780-22602	2780-23606	2780-23607	2980-19608	2780-22509	2780-22304	2980-26350	2780-19359	2980-26395	
1788-22990	8.25"	3 j Steel	D1-6	2780-23603	2780-23602					(obsolete)	(obsolete)			
1788-24950	9.5"	3 j Steel	Lang FL2	2780-31603	2780-31602	2780-31606	* Note that 9.5", 10.75" & 12" Lang chucks manufactured by Pratt had a			2780-23300	obsolete	2980-17355	2580-38395	
1788-24951	9.5"	3 j Steel	Lang FL2	2780-31603	2780-31602	2780-31606	15/32" jaw tenon.			2780-23300	obsolete	2980-17355	2580-38395	
1788-24952	9.5"	3 j Steel	Lang FL2	2780-31603	2780-31602	2780-31606				2780-23300	obsolete	2980-17355	2580-38395	
1788-26990	10"	3 j Steel	D1-6	2780-23603	2780-23602	2780-23606	2780-23607	2780-23608	2780-23509	Obsolete	2988-26994	2980-17355	2988-26991	
1788-26992	10"	3 j Steel	D1-6 T.J.	2780-23603	2780-23602	2780-23606	2780-23607	2780-23608	2780-23509					
1788-27220	10.5"	3 j Steel	Mitchell	7789-27000	7789-27001					2780-27300	2780-27350	2780-23359	2580-38395	
1788-27950	10.75"	3 j Steel	Lang FL2	2780-31603	2780-31602	2780-31606	* Note that 9.5", 10.75" & 12" Lang chucks manufactured by Pratt had a			2780-27300	obsolete	2980-17355	2580-38395	
1788-27951	10.75"	3 j Steel	Lang FL2	2780-31603	2780-31602	2780-31606	15/32" jaw tenon.			2780-27300	obsolete	2980-17355	2580-38395	
1788-27952	10.75"	3 j Steel	Lang FL2	2780-31603	2780-31602	2780-31606				2780-27300	obsolete	2980-17355	2580-38395	
1788-27953	10.75"	3 j Steel	Lang FL3	2780-31603	2780-31602	2780-31606				2780-27300	obsolete	2980-17355	2580-38395	
1788-27954	10.75"	3 j Steel	Lang FL3	2780-31603	2780-31602	2780-31606				2780-27300	obsolete	2980-17355	2580-38395	
1788-31990	12" *	3 j Steel	D1-8	2780-31603	2780-31602	2780-31606	2780-31607	8210-32608	2210-32509	2980-31300	obsolete *		2580-38395	
1788-31991	12" *	3 j Steel	D1-6	2780-31603	2780-31602	2780-31606	2780-31607	8210-32608	2210-32509	2980-31300	obsolete *	2980-31355	2580-38395	
* NOTE - During the 1960's some batches of 1788-31990/31991 chucks were manufactured with HEXAGONAL punched pinions. These are no longer available.														
1788-32950	12"	3 j Steel	Lang FL2	2780-31603	2780-31602	2780-31606	2780-31607	8210-32608	2210-32509	2780-31300	2780-31350	2980-17355	2580-38395	
1788-32951	12"	3 j Steel	Lang FL3	2780-31603	2780-31602	2780-31606	2780-31607	8210-32608	2210-32509	2780-31300	2780-31350	2980-17355	2580-38395	
1788-32952	12"	3 j Steel	Lang FL4	2780-31603	2780-31602	2780-31606	2780-31607	8210-32608	2210-32509	2788-35956	2780-31350	2980-17355	2580-38395	
1788-32953	12"	3 j Steel	Lang FL4	2780-31603	2780-31602	2780-31606	2780-31607	8210-32608	2210-32509	2788-35956	2780-31350	2980-17355	2580-38395	
1788-38220	15"	3 j Steel	Mitchell	2580-38603	2580-38602	2580-38606	2580-38607	8210-40608	2580-38509	2580-38300	2580-38350	2980-31355	2580-38395	
1788-38950	15"	3 j Steel	Lang FL3	2580-38603	2580-38602	2580-38606	2580-38607	8210-40608	2580-38509	2788-38952	2580-38350	2980-31355	2788-38953	
1788-38951	15"	3 j Steel	Lang FL4	2580-38603	2580-38602	2580-38606	2580-38607	8210-40608	2580-38509	2788-38956	2580-38350	2980-31355	2788-38953	
1788-38952	15"	3 j Steel	Lang FL5	2580-38603	2580-38602	2580-38606	2580-38607	8210-40608	2580-38509	2788-38956	2580-38350	2980-31355	2788-38953	
1788-38953	15"	3 j Steel	Lang FL5	2580-38603	2580-38602	2580-38606	2580-38607	8210-40608	2580-38509	2788-38956	2580-38350	2980-31355	2788-38953	
1788-38990	15"	3 j Steel	D1-11	2580-38603	2580-38602	2580-38606	2580-38607	8210-40608	2580-38509	2980-38300	2980-38350	2980-31356	2980-38395	
1788-38992	15"	3 j Steel	D1-8	2580-38603	2580-38602	2580-38606	2580-38607	8210-40608	2580-38509	2980-38300	2980-38350	2980-31355	2980-38395	
1788-46990	18"	3 j Steel	D1-11	2580-46603	2580-46602	2580-46606	2580-46607	2980-38608	2980-38509	2980-46300	2980-46350	2980-46355	2980-38395	
1789-02490	21"	3 j Steel		2580-46603	2580-46602	2580-46606	2580-46607	2980-38608	2980-38509	2789-02492	2580-53350	2980-31356	2980-38395	
178A	(Pratt)	3 j Steel	Size of chuck required to identify spares. Use chuck codes 1780-- when size known (except 5" & 6", spares obsolete).											



Chuck no/ Model no.	Size	Type	Mount	Inside Jaws (3)	Outside Jaws (3)	Soft Jaws (3)	Base Jaws (3)	Hard Top Jaws (3)	Soft Top Jaw (ea)	Scroll	Pinion	Pinion Retainer	Key
1790-01005	4" (BP)	4 j Steel	Recess	2590-10603	2590-10602	2590-10606	2590-10607	2590-10608	2580-10509	2580-10300	2580-10350	2580-08356	2580-10395
1790-01405	5" (BP)	4 j Steel	Recess	2230-13603	2230-13602	2230-13606	2230-13607	2230-13608	2210-13509	2580-14300	2580-14350	2580-14356	2580-10395
1790-01605	6" (BP)	4 j Steel	Recess	2230-17603	2230-17602	2230-17606	2230-17607	2230-17608	2210-17509	2580-16300	2580-16350	2580-16356	2580-16395
1790-01905}	7.5"	4 j Steel	Recess	2230-20603	2230-20602	2230-20606	2790-19607}	2790-19608}	2980-19509	2780-19300	2780-19350	2780-19359	2980-17395
1790-01905}	7.5"	4 j Steel	Recess				2230-20607}	2230-20608}					
1790-02305	9"	4 j Steel	Recess	2790-23603	2790-23602	2790-23606	2790-23607	2790-23608	2780-23509	2780-23300	2780-23350	2780-23359	2580-38395
1790-02705	10.5"	4 j Steel	Recess	2230-25603	2230-25602	2230-25606	2790-27607	2790-27608	2780-23509	2780-27300	2780-27350	2780-23359	2580-38395
1790-03105	12"	4 j Steel	Recess	2790-31603	2790-31602	2790-31606	2790-31607	2970-31608	2980-31509	2780-31300	2780-31350	2980-17355	2580-38395
1790-03805	15"	4 j Steel	Recess	2590-38603	2590-38602	2590-38606	2590-38607			2580-38300	2580-38350	2980-31355	2580-38395
1790-04605	18"	4 j Steel	Recess	2590-46603	2590-46602	2590-46606	2590-46607			2580-46300	2580-46350	2980-31355	2980-38395
1790-06105	24"	4 j Steel	Recess	2590-46603	2590-46602	2590-46606	2590-46607			2580-53300	2580-61350	2980-31355	2980-38395
1797-23000	9"	Special mount. See Material list B18180											
1797-27000	10.5"	Spares as 1790-02705. 5 5/8" recess.											
1797-38000	15"	Spares as 1790-03805. 7" recess. Special mount.											
1797-46000	18"	Spares as 1790-04605. Special scroll. 6.125" bore. 2797-46002											
1797-61000	24"	Spares as 1790-06105. 9.5" recess. Special mount.											
1800-92102	8"	Spindle End chuck.		Spares unavailable.									
1800-92502	9.75"	Spindle End chuck.		Spares unavailable.									
1930-32405	9.5"	3 j H.Duty	Recess	Obsolete	Obsolete	Obsolete	Obsolete	2780-23608	2780-23509	2980-24300	2980-24350		2580-38395
1930-33105	12"	3 j H.Duty	Recess	Obsolete	Obsolete	Obsolete	Obsolete	Obsolete	2980-31509	2980-31300	Obsolete	2980-17355	2580-38395
1930-43805	15"	3 j H.Duty	Recess	Obsolete	Obsolete	Obsolete	Obsolete	2980-38608	2980-38509	2980-38300	2980-38350	2980-31355	2980-38395
1930-44605	18"	3 j H.Duty	Recess	Obsolete	Obsolete	Obsolete	Obsolete	Obsolete	Obsolete	2980-46300	2980-46350	2980-46355	2980-38395
1930-65305	21"	3 j H.Duty	Recess	Obsolete	Obsolete	Obsolete	Obsolete	Obsolete	Obsolete	2980-53300	2980-46350	2980-46355	2980-38395
1940-32416	9.5"	2 j H.Duty	Recess	Obsolete	Obsolete	Obsolete	Obsolete	Obsolete	2780-23509	2980-24300	2980-24350		2580-38395
1940-33116	12"	2 j H.Duty	Recess	Obsolete	Obsolete	Obsolete	Obsolete	Obsolete	2980-31509	2980-31300	Obsolete	2980-17355	2580-38395
1940-43815	15"	2 j H.Duty	Recess	Obsolete	Obsolete	Obsolete	Obsolete	Obsolete	2980-38509	2980-38300	2980-38350	2980-31355	2980-38395
1940-44616	18"	2 j H.Duty	Recess	Obsolete	Obsolete	Obsolete	Obsolete	Obsolete	Obsolete	2980-46300	2980-46350	2980-46355	2980-38395
1940-65316	21"	2 j H.Duty	Recess	Obsolete	Obsolete	Obsolete	Obsolete	Obsolete	Obsolete	2980-53300	2980-46350	2980-46355	2980-38395
258D		3 jaw Iron	Camlock	Size of chuck required to identify spares. Use chuck codes 1780- when size known (except 5" & 6" - spares obsolete)									
278D		3 j Steel	Camlock	Size of chuck required. Use chuck codes 1780- when size known (except 5" & 6" Pratt - spares obsolete; 10" - parts as 1780-02305; 8 1/4" - use parts as 1788-22990) (In the main of Pratt design but may, on the smaller sizes, be Burnerd design in which case jaws are still available).									
28	2.75"	3 jaw L.S.	Recess	Obsolete	Obsolete	Obsolete	Obsolete	Obsolete	Obsolete	Obsolete	Obsolete		
2838/AA	15"	3 jaw	Mitchell	2580-38603	2580-38602	2580-38606	-	-		2580-38300	2580-38350	2980-31355	2580-38395
29	3"	3 jaw BP	Recess	2580-08603	2580-08602	2580-08606	-	-	-	2580-08300	2580-08350	2580-08356	2580-08395
29MDR	3"	3 jaw BP	Myford	2580-08603	2580-08602	2580-08606	-	-	-	2580-08300	2580-08350	2580-08356	2580-08395
29Y	3"	4 jaw BP	Recess	2590-08603	2590-08602	2590-08606	-	-	-	2580-08300	2580-08350	2580-08356	2580-08395
30 *	4"	3 jaw BP	Recess	2580-10603	2580-10602	2580-10606	2580-10607	8210-10608	2580-10509	2580-10300	2580-10350*	2580-08356	2580-10395
30A	5"	3 jaw BP	Recess	2210-13603	2210-13602	2210-13606	2210-13607	8210-13608	2210-13509	2580-14300	2580-14350	2580-14356	2580-10395
30AD3	5"	3 jaw BP	D1-3	2210-13603	2210-13602	2210-13606	2210-13607	8210-13608	2210-13509	2580-14300	2580-14350	2580-14356	2580-10395
30AHC	5"	3 j Hardinge (Taper)		2588-14071	2588-14070	2588-14066	(Drive Pin 2588-14069)			2588-14062	2588-14063	2588-14065	2580-10395
30AHCX	5"	3 j Hardinge (Screw)		2588-14071	2588-14070	2588-14066				2588-14062	2588-14063	2588-14065	2580-10395
30AL0	5"	3 jaw BP	L0	2210-13603	2210-13602	2210-13606	2210-13607	8210-13608	2210-13509	2580-14300	2580-14350	2580-14356	2580-10395
30AL00	5"	3 jaw BP	L00	2210-13603	2210-13602	2210-13606	2210-13607	8210-13608	2210-13509	2580-14300	2580-14350	2580-14356	2580-10395
30AMAR	5"	3 jaw BP	Marley	2210-13603	2210-13602	2210-13606	2210-13607	8210-13608	2210-13509	2580-14300	2580-14350	2580-14356	2580-10395
30AY	5"	4 jaw BP	Recess	2230-13603	2230-13602	2230-13606	-	-	-	2580-14300	2580-14350	2580-14356	2580-10395
30M/30MC	4"	3 jaw BP	Myford	2580-10603	2580-10602	2580-10606	2580-10607	8210-10608	2580-10509	2580-10300	2580-10350	2580-08356	2580-10395
30MEC	4"	3 jaw BP	Myford	2580-10603	2580-10602	2580-10606	2580-10607	8210-10608	2580-10509	2580-10300	2580-10350	2580-08356	2580-10395
30MR	4"	3 jaw BP	Myford	2580-10603	2580-10602	2580-10606	2580-10607	8210-10608	2580-10509	2580-10300	2580-10350	2580-08356	2580-10395

\* Older models (probably 1940-1950) of the Burnerd 4" model 30 were fitted with a different design pinion, details of which are no longer available.



Chuck no./ Model no.	Size	Type	Mount	Inside Jaws (3)	Outside Jaws (3)	Soft Jaws (3)	Base Jaws (3)	Hard Top Jaws (3)	Soft Top Jaw (ea)	Scroll	Pinion	Pinion Retainer	Key
30MX	4"	3 jaw BP	Myford	2580-10603	2580-10602	2580-10606	2580-10607	8210-10608	2580-10509	2580-10300	2580-10350	2580-08356	2580-10395
30Y	4"	4 jaw BP	Recess	2590-10603	2590-10602	2590-10606	2590-10607	2590-10608	2580-10509	2580-10300	2580-10350	2580-08356	2580-10395
31	6"	3 jaw BP	Recess	2210-17603	2210-17602	2210-17606	2210-17607	8210-17608	2210-17509	2580-16300	2580-16350	2580-16356	2580-16395
31D3	6"	3 jaw BP	D1-3	2210-17603	2210-17602	2210-17606	2210-17607	8210-17608	2210-17509	2580-16300	2580-16350	2580-16356	2580-16395
31D4	6"	3 jaw BP	D1-4	2210-17603	2210-17602	2210-17606	2210-17607	8210-17608	2210-17509	2580-16300	2580-16350	2580-16356	2580-16395
31L0	6"	3 jaw BP	L0	2210-17603	2210-17602	2210-17606	2210-17607	8210-17608	2210-17509	2580-16300	2580-16350	2580-16356	2580-16395
31L00	6"	3 jaw BP	L00	2210-17603	2210-17602	2210-17606	2210-17607	8210-17608	2210-17509	2580-16300	2580-16350	2580-16356	2580-16395
3191/AB	12"	3 jaw BP	Mitchell	2780-31603	2780-31602	2780-31606	2780-31607	8210-32608	2210-32509	2780-31300	2780-31350	2980-17355	2580-38395
31Y	6"	4 jaw BP	Recess	2230-17603	2230-17602	2230-17606	2230-17607	2230-17608	2210-17509	2580-16300	2580-16350	2580-16356	2580-16395
32	2.5"	3 jaw Lever Scroll.		Spares unavailable									
33	3"	3 jaw Lever Scroll.		2460-07603	2460-07602	2460-07606	-	-	-	2460-07300	-	-	-
33A	4"	3 jaw Lever Scroll.		2460-10603	2460-10602	2460-10606	2460-10607	2460-10608	2460-10509	2460-10300	-	-	-
358D	Size of chuck required to identify spares (May be of Pratt or Burnerd design). Width of jaw or chuck serial no. required to identify.												
358L	Size of chuck required to identify spares (May be of Pratt or Burnerd design). Width of jaw or chuck serial no. required to identify.												
3554/AD	10.5"	3 jaw	Mitchell	7789-27000	7789-27001					2780-27300	2780-27350	2780-23359	2580-38395
3664/D	10.5"	3 jaw	Mitchell	7789-27000	7789-27001					2780-27300	2780-27350	2780-23359	2580-38395
378D	Size of chuck required to identify spares. Use chuck codes 1780--- when size known. For size 10" see page 21b '10" 78 Pratt'.												
378L	Size of chuck required to identify spares. Use chuck codes 1780--- when size known. For size 10" see page 21b '10" 78 Pratt'.												
48	2 7/16"	3 jaw Lever Scroll		Obsolete	Obsolete	Obsolete	Obsolete	Obsolete	Obsolete	Obsolete	Obsolete	Obsolete	Obsolete
51	8"	3 jaw BP	Recess	2580-19603	2580-19602	2580-19606	2580-19607	2580-19608	2580-19509	2580-21300	2580-21350	2580-16356	2980-26395
51Y	8"	4 jaw BP	Recess	2590-19603	2590-19602	2590-19606	2590-19607	2590-19608	2580-19509	2580-21300	2580-21350	2580-16356	2980-26395
52	7.5"	3 jaw BP	Recess	2580-19603	2580-19602	2580-19606	2580-19607	2580-19608	2580-19509	2580-19300	2580-19350	2580-16356	2980-17395
52A5	7.5"	3 jaw BP	A1-5	2580-19603	2580-19602	2580-19606	2580-19607	2580-19608	2580-19509	2580-19300	2580-19350	2580-16356	2980-17395
52D5	7.5"	3 jaw BP	D1-5	2580-19603	2580-19602	2580-19606	2580-19607	2580-19608	2580-19509	2580-19300	2580-19350	2580-16356	2980-17395
52L0	7.5"	3 jaw BP	L0	2580-19603	2580-19602	2580-19606	2580-19607	2580-19608	2580-19509	2580-19300	2580-19350	2580-16356	2980-17395
52L00	7.5"	3 jaw BP	L00	2580-19603	2580-19602	2580-19606	2580-19607	2580-19608	2580-19509	2580-19300	2580-19350	2580-16356	2980-17395
52Y	7.5"	4 jaw BP	Recess	2590-19603	2590-19602	2590-19606	2590-19607	2590-19608	Obsolete	2580-19300	2580-19350	2580-16356	2980-17395
53	9"	3 jaw BP	Recess	2580-23603	2580-23602	2580-23606	2580-23607	2580-23608	Obsolete	2580-23300	2580-23350	2580-16356	2580-38395
53D6	9"	3 jaw BP	D1-6	2580-23603	2580-23602	2580-23606	2580-23607	2580-23608	Obsolete	2580-23300	2580-23350	2580-16356	2580-38395
53Y	9"	4 jaw BP	Recess	2590-23603	2590-23602	2590-23606	2590-23607	2590-23608	Obsolete	2580-23300	2580-23350	2580-16356	2580-38395
54	10.5"	3 jaw BP	Recess	2580-27603	2580-27602	2580-27606	2580-27607	2580-27608	Obsolete	2580-27300	2580-27350	2580-27356	2580-38395
54A6	10.5"	3 jaw BP	A1-6	2580-27603	2580-27602	2580-27606	2580-27607	2580-27608	Obsolete	2580-27300	2580-27350	2580-27356	2580-38395
54L1	10.5"	3 jaw BP	L1	2580-27603	2580-27602	2580-27606	2580-27607	2580-27608	Obsolete	2580-27300	2580-27350	2580-27356	2580-38395
54Y	10.5"	4 jaw BP	Recess	2590-27603	2590-27602	2590-27606	2590-27607	2590-27608	Obsolete	2580-27300	2580-27350	2580-27356	2580-38395
55	12"	3 jaw BP	Recess	2580-27603	2580-27602	2580-27606	2580-31607	2580-31608	Obsolete	2580-31300	2580-31350	2580-27356	2580-38395
55D6	12"	3 jaw BP	D1-6	2580-27603	2580-27602	2580-27606	2580-31607	2580-31608	Obsolete	2580-31300	2580-31350	2580-27356	2580-38395
55D8	12"	3 jaw BP	D1-8	2580-27603	2580-27602	2580-27606	2580-31607	2580-31608	Obsolete	2580-31300	2580-31350	2580-27356	2580-38395
55L2	12"	3 jaw BP	L2	2580-27603	2580-27602	2580-27606	2580-31607	2580-31608	Obsolete	2580-31300	2580-31350	2580-27356	2580-38395
55Y	12"	4 jaw BP	Recess	2590-27603	2590-27602	2590-27606	2590-31607	2590-31608	Obsolete	2580-31300	2580-31350	2580-27356	2580-38395
6-3	6" 3 jaw	Hardinge tapered		(Drive pin = 2008-16065)		2210-17606	2210-17607	8210-17608	2210-17509	2580-16300	2008-16163	?	2580-16395
6-3D	6" 3 jaw	Hardinge threaded		2210-17603	2210-17602	2210-17606	2210-17607	8210-17608	2210-17509	2580-16300	2008-16163	?	2580-16395
9210-00805	80mm	3 jaw SP	Recess	8210-08603	8210-08602	8210-08606	n/a	n/a	n/a	8210-08300G	2580-08350	2580-08356	2580-08395
9210-01005	100mm	3 jaw SP	Recess	8210-10603	8210-10602	8210-10606	8210-10607	8210-10608	2580-10509	8210-10300G	2580-10350	2580-08356	2580-10395
9210-01015	100mm	3 j SP TJ	Recess	8210-10603	8210-10602	8210-10606	8210-10607	8210-10608	2580-10509	8210-10300G	2580-10350	2580-08356	2580-10395
9210-01305	125mm	3 jaw SP	Recess	8210-13603	8210-13602	8210-13606	8210-13607	8210-13608	2210-13509	8210-13300G	2210-13350	2210-13356	2210-13395
9210-01315	125mm	3 j SP TJ	Recess	8210-13603	8210-13602	8210-13606	8210-13607	8210-13608	2210-13509	8210-13300G	2210-13350	2210-13356	2210-13395
9210-01705	160mm	3 jaw SP	Recess	8210-17603	8210-17602	8210-17606	8210-17607	8210-17608	2210-17509	8210-17300G	2210-17350	2210-13356	2210-17395
9210-01715	160mm	3 j SP TJ	Recess	8210-17603	8210-17602	8210-17606	8210-17607	8210-17608	2210-17509	8210-17300G	2210-17350	2210-13356	2210-17395









Chuck no./ Model no.	Size	Type	Mount	Inside Jaws (3)	Outside Jaws (3)	Soft Jaws (3)	Base Jaws (3)	Hard Top Jaws (3)	Soft Top Jaw (ea)	Scroll	Pinion	Pinion Retainer	Key
9214-21705	160mm	3 jaw SP	DIN4	8210-17603	8210-17602	8210-17606	8210-17607	8210-17608	2210-17509	8210-17300G	2210-17350	2210-13356	2210-17395
9214-21715	160mm	3 j SP TJ	DIN4	8210-17603	8210-17602	8210-17606	8210-17607	8210-17608	2210-17509	8210-17300G	2210-17350	2210-13356	2210-17395
9214-22005	200mm	3 jaw SP	DIN4	8210-20603	8210-20602	8210-20606	8210-20607	8210-20608	2210-20509	8210-20300G	2210-20350	2310-20356	2218-20208
9214-22015	200mm	3 j SP TJ	DIN4	8210-20603	8210-20602	8210-20606	8210-20607	8210-20608	2210-20509	8210-20300G	2210-20350	2310-20356	2218-20208
9214-31705	160mm	3 jaw SP	DIN5	8210-17603	8210-17602	8210-17606	8210-17607	8210-17608	2210-17509	8210-17300G	2210-17350	2210-13356	2210-17395
9214-31715	160mm	3 j SP TJ	DIN5	8210-17603	8210-17602	8210-17606	8210-17607	8210-17608	2210-17509	8210-17300G	2210-17350	2210-13356	2210-17395
9214-32005	200mm	3 jaw SP	DIN5	8210-20603	8210-20602	8210-20606	8210-20607	8210-20608	2210-20509	8210-20300G	2210-20350	2310-20356	2218-20208
9214-32015	200mm	3 j SP TJ	DIN5	8210-20603	8210-20602	8210-20606	8210-20607	8210-20608	2210-20509	8210-20300G	2210-20350	2310-20356	2218-20208
9214-32505	250mm	3 jaw SP	DIN5	8210-25603	8210-25602	8210-25606	8210-25607	8210-25608	2210-25509	8210-25300G	2210-25350	2310-20356	2218-25208
9214-32515	250mm	3 j SP TJ	DIN5	8210-25603	8210-25602	8210-25606	8210-25607	8210-25608	2210-25509	8210-25300G	2210-25350	2310-20356	2218-25208
9214-41705	160mm	3 jaw SP	DIN6	8210-17603	8210-17602	8210-17606	8210-17607	8210-17608	2210-17509	8210-17300G	2210-17350	2210-13356	2210-17395
9214-41715	160mm	3 j SP TJ	DIN6	8210-17603	8210-17602	8210-17606	8210-17607	8210-17608	2210-17509	8210-17300G	2210-17350	2210-13356	2210-17395
9214-42005	200mm	3 jaw SP	DIN6	8210-20603	8210-20602	8210-20606	8210-20607	8210-20608	2210-20509	8210-20300G	2210-20350	2310-20356	2218-20208
9214-42015	200mm	3 j SP TJ	DIN6	8210-20603	8210-20602	8210-20606	8210-20607	8210-20608	2210-20509	8210-20300G	2210-20350	2310-20356	2218-20208
9214-42505	250mm	3 jaw SP	DIN6	8210-25603	8210-25602	8210-25606	8210-20607	8210-20608	2210-20509	8210-25300G	2210-25350	2310-20356	2218-25208
9214-42515	250mm	3 j SP TJ	DIN6	8210-25603	8210-25602	8210-25606	8210-20607	8210-20608	2210-20509	8210-25300G	2210-25350	2310-20356	2218-25208
9214-43205	315mm	3 jaw SP	DIN6	8210-32603	8210-32602	8210-32606	8210-32607	8210-32608	2210-32509	8210-32300G	2210-32350	2310-20356	2218-32208
9214-43215	315mm	3 j SP TJ	DIN 6	8210-32603	8210-32602	8210-32606	8210-32607	8210-32608	2210-32509	8210-32300G	2210-32350	2310-20356	2218-32208
9214-52505	250mm	3 jaw SP	DIN 8	8210-25603	8210-25602	8210-25606	8210-25607	8210-25608	2210-25509	8210-25300G	2210-25350	2310-20356	2218-25208
9214-52515	250mm	3 j SP TJ	DIN 8	8210-25603	8210-25602	8210-25606	8210-25607	8210-25608	2210-25509	8210-25300G	2210-25350	2310-20356	2218-25208
9214-53205	315mm	3 jaw SP	DIN 8	8210-32603	8210-32602	8210-32606	8210-32607	8210-32608	2210-32509	8210-32300G	2210-32350	2310-20356	2218-32208
9214-53215	315mm	3 j SP TJ	DIN 8	8210-32603	8210-32602	8210-32606	8210-32607	8210-32608	2210-32509	8210-32300G	2210-32350	2310-20356	2218-32208
9214-54005	400mm	3 jaw SP	DIN 8	8210-40603	8210-40602	8210-40606	8210-40607	8210-40608	2580-38509	8210-40300G	8270-40350	2310-20356	8271-40395
9214-54015	400mm	3 j SP TJ	DIN 8	8210-40603	8210-40602	8210-40606	8210-40607	8210-40608	2580-38509	8210-40300G	8270-40350	2310-20356	8271-40395
9214-63205	315mm	3 jaw SP	DIN 11	8210-32603	8210-32602	8210-32606	8210-32607	8210-32608	2210-32509	8210-32300G	2210-32350	2310-20356	2218-32208
9214-63215	315mm	3 j SP TJ	DIN 11	8210-32603	8210-32602	8210-32606	8210-32607	8210-32608	2210-32509	8210-32300G	2210-32350	2310-20356	2218-32208
9214-64005	400mm	3 jaw SP	DIN 11	8210-40603	8210-40602	8210-40606	8210-40607	8210-40608	2580-38509	8210-40300G	8270-40350	2310-20356	8271-40395
9214-64015	400mm	3 j SP TJ	DIN 11	8210-40603	8210-40602	8210-40606	8210-40607	8210-40608	2580-38509	8210-40300G	8270-40350	2310-20356	8271-40395
9214-74005	400mm	3 jaw SP	DIN 15	8210-40603	8210-40602	8210-40606	8210-40607	8210-40608	2580-38509	8210-40300G	8270-40350	2310-20356	8271-40395
9216-74005	400mm	3 jaw SP		8210-40603	8210-40602	8210-40606	8210-40607	8210-40608	2580-38509	8210-40300G	8270-40350	2310-20356	8271-40395
9216-74015	400mm	3 j SP TJ		8210-40603	8210-40602	8210-40606	8210-40607	8210-40608	2580-38509	8210-40300G	8270-40350	2310-20356	8271-40395
9217-10000	100mm	3 jaw SP	J & S	8210-10603	8210-10602	8210-10606	8210-10607	8210-10608	2580-10509	8210-10300G	2580-10350	2580-08356	2587-10010/A
9217-10020	100mm	Morse Taper 4		8210-10603	8210-10602	8210-10606	8210-10607	8210-10608	2580-10509	8210-10300G	2580-10350	2580-08356	2580-10395
9217-13000	125mm	Metric Index Unit		8210-13603	8210-13602	8210-13606	8210-13607	8210-13608	2210-13509	8210-13300G	2210-13350	2210-13356	2210-13395
9217-13010	125mm	Modified body		8210-13603	8210-13602	8210-13606	8210-13607	8210-13608	2210-13509	8210-13300G	2210-13350	2210-13356	2210-13395
9217-13020	125mm	3 jaw SP	J & S	8210-13603	8210-13602	8210-13606	8210-13607	8210-13608	2210-13509	8210-13300G	2210-13350	2210-13356	2218-13208
9217-13030	125mm	Hercus adaptor		8210-13603	8210-13602	8210-13606	8210-13607	8210-13608	2210-13509	8210-13300G	2210-13350	2210-13356	2218-13208
9217-13040	125mm	Special backplate		8210-13603	8210-13602	8210-13606	8210-13607	8210-13608	2210-13509	8210-13300G	2210-13350	2210-13356	2218-13208
9217-16000	160mm	1.5" x 8tpi adaptor		8210-17603	8210-17602	8210-17606	8210-17607	8210-17608	2210-17509	8210-17300G	2210-17350	2210-13356	2210-17395
9217-20000	200mm	Metric Index Unit		8210-20603	8210-20602	8210-20606	8210-20607	8210-20608	2210-20509	8210-20300G	2210-20350	2310-20356	2218-20208
9217-20010	200mm	For dividing head		8210-20603	8210-20602	8210-20606	8210-20607	8210-20608	2210-20509	8210-20300G	2210-20350	2310-20356	2218-20208
9217-20020	200mm	Special backplate		8210-20603	8210-20602	8210-20606	8210-20607	8210-20608	2210-20509	8210-20300G	2210-20350	2310-20356	2218-20208
9217-20030	200mm	Special backplate		8210-20603	8210-20602	8210-20606	8210-20607	8210-20608	2210-20509	8210-20300G	2210-20350	2310-20356	2218-20208
9217-20040	200mm	Special backplate		8210-20603	8210-20602	8210-20606	8210-20607	8210-20608	2210-20509	8210-20300G	2210-20350	2310-20356	2218-20208
9217-20050	200mm	Special backplate		8210-20603	8210-20602	8210-20606	8210-20607	8210-20608	2210-20509	8210-20300G	2210-20350	2310-20356	2218-20208



Chuck no/ Model no.	Size	Type	Mount	Inside Jaws (set)	Outside Jaws (set)	Soft Jaws (set)	Base Jaws (set)	Hard Top Jaws (set)	Soft Top Jaw (ea)	Scroll	Pinion	Pinion Retainer	Key
9217-20060	200mm	Special long key		8210-20603	8210-20602	8210-20606	8210-20607	8210-20608	2210-20509	8210-20300	2210-20350	2310-20356	8217-20060
9217-20070	200mm	D1-4, long crosspiece		8210-20603	8210-20602	8210-20606	8210-20607	8210-20608	2210-20509	8210-20300	2210-20350	2310-20356	
9217-25000	250mm	Langs adaptor		8210-25603	8210-25602	8210-25606	8210-25607	8210-25608	2210-25509	8210-25300	2210-25350	2310-20356	2218-25208
9217-26010	250mm	80mm bore TJ		-	-	-	8210-25607	8210-25608	2210-25509	8210-25300	2210-25350	2310-20356	2218-25208
9217-32000	315mm	113mm bore		8210-32603	8210-32602	8210-32606	8210-32607	8210-32608	2210-32509	8210-32300	2210-32350	2310-20356	2218-32208
9217-32010	315mm	Lang FL2A adaptor		8210-32603	8210-32602	8210-32606	8210-32607	8210-32608	2210-32509	8210-32300	2210-32350	2310-20356	2218-32208
9217-32015	315mm	105mm bore D1-11		8210-32603	8210-32602	8210-32606	8210-32607	8210-32608	2210-32509	8210-32300	2210-32350	2310-20356	2218-32208
9217-40000	400mm	A2-11 mount		8210-40603	8210-40602	8210-40606	8210-40607	8210-40608	2580-38509	8210-40300	8270-40350	2310-20356	8271-40395
9217-40010	400mm	Griptru adaptor		8210-40603	8210-40602	8210-40606	8210-40607	8210-40608	2580-38509	8210-40300	8270-40350	2310-20356	8271-40395
9219-	See SETRITE page 22												
9250-	Micro adjusting screws & allen keys are as original Griptru range 1250- on page 3.												
9250-00805	80mm	3 j Griptru	Recess	8210-08603	8210-08602	8210-08606	-	-	-	8210-08300	2580-08350	2580-08356	2580-08395
9250-01005	100mm	3 j Griptru	Recess	8210-10603	8210-10602	8210-10606	8210-10607	8210-10608	2580-10509	8210-10300	2580-10350	2580-08356	2580-10395
9250-01305	125mm	3 j Griptru	Recess	8210-13603	8210-13602	8210-13606	8210-13607	8210-13608	2210-13509	8210-13300	2210-13350	2210-13356	2210-13395
9250-01705	160mm	3 j Griptru	Recess	8210-17603	8210-17602	8210-17606	8210-17607	8210-17608	2210-17509	8210-17300	2210-17350	2210-13356	2210-17395
9250-02005	200mm	3 j Griptru	Recess	8210-20603	8210-20602	8210-20606	8210-20607	8210-20608	2210-20509	8210-20300	2210-20350	2310-20356	2218-20208
9250-02505	250mm	3 j Griptru	Recess	8210-25603	8210-25602	8210-25606	8210-25607	8210-25608	2210-25509	8210-25300	2210-25350	2310-20356	2218-25208
9250-03205	315mm	3 j Griptru	Recess	8210-32603	8210-32602	8210-32606	8210-32607	8210-32608	2210-32509	8210-32300	2210-32350	2310-20356	2218-32208
9252-21305	125mm	3 j Griptru	D1-3	8210-13603	8210-13602	8210-13606	8210-13607	8210-13608	2210-13509	8210-13300	2210-13350	2210-13356	2210-13395
9252-31705	160mm	3 j Griptru	D1-4	8210-17603	8210-17602	8210-17606	8210-17607	8210-17608	2210-17509	8210-17300	2210-17350	2210-13356	2210-17395
9252-32005	200mm	3 j Griptru	D1-4	8210-20603	8210-20602	8210-20606	8210-20607	8210-20608	2210-20509	8210-20300	2210-20350	2310-20356	2218-20208
9252-52505	250mm	3 j Griptru	D1-6	8210-25603	8210-25602	8210-25606	8210-25607	8210-25608	2210-25509	8210-25300	2210-25350	2310-20356	2218-25208
9252-63205	315mm	3 j Griptru	D1-8	8210-32603	8210-32602	8210-32606	8210-32607	8210-32608	2210-32509	8210-32300G	2210-32350	2310-20356	2218-32208
9257-10000	100mm	3 j Griptru		8210-10603	8210-10602	8210-10606	8210-10607	8210-10608	2580-10509	8210-10300G	2580-10350	2580-08356	2587-10010/A
9257-17000	160mm	3 j Griptru	No.5 MT	8210-17603	8210-17602	8210-17606	8210-17607	8210-17608	2210-17509	8210-17300G	2210-17350	2210-13356	2210-17395
9257-17001	160mm	3 j Griptru	A2-6	8210-17603	8210-17602	8210-17606	8210-17607	8210-17608	2210-17509	8210-17300G	2210-17350	2210-13356	2210-17395
9257-25000	250mm	3 j Griptru	A2-8	8210-25603	8210-25602	8210-25606	8210-25607	8210-25608	2210-25509	8210-25300G	2210-25350	2310-20356	2218-25208
9257-32000	315mm	3 j Griptru	A2-8	8210-32603	8210-32602	8210-32606	8210-32607	8210-32608	2210-32509	8210-32300G	2210-32350	2310-20356	2218-32208
9257-32010	315mm	3 j Griptru	A2-11	8210-32603	8210-32602	8210-32606	8210-32607	8210-32608	2210-32509	8210-32300G	2210-32350	2310-20356	2218-32208
9260-	Micro adjusting screws & allen keys are as original Griptru range 1260- on page 3.												
9260-01305	125mm	6 j Griptru	Recess	8260-13603	8260-13602	8260-13606	-	2260-13608	2210-13509	8210-13300G	2210-13350	2210-13356	2210-13395
9260-01705	160mm	6 j Griptru	Recess	8260-17603	8260-17602	8260-17606	8260-17607	8260-17608	2210-17509	8210-17300G	2210-17350	2210-13356	2210-17395
9260-02005	200mm	6 j Griptru	Recess	8260-20603	8260-20602	8260-20606	8260-20607	2260-20608	2210-20509	8210-20300G	2210-20350	2310-20356	2218-20208
9260-02505	250mm	6 j Griptru	Recess	8260-25603	8260-25602	8260-25606	8260-25607	2260-25608	2210-25509	8210-25300G	2210-25350	2310-20356	2218-25208
9260-03205	315mm	6 j Griptru	Recess	8260-32603	8260-32602	8260-32606	8260-32607	8260-32608	2210-32509	8210-32300G	2210-32350	2310-20356	2218-32208
9262-31305	125mm	6 j Griptru	D1-4	8260-13603	8260-13602	8260-13606	-	2260-13608	2210-13509	8210-13300G	2210-13350	2210-13356	2210-13395
9262-31705	160mm	6 j Griptru	D1-4	8260-17603	8260-17602	8260-17606	8260-17607	8260-17608	2210-17509	8210-17300G	2210-17350	2210-13356	2210-17395
9262-32005	200mm	6 j Griptru	D1-4	8260-20603	8260-20602	8260-20606	8260-20607	2260-20608	2210-20509	8210-20300G	2210-20350	2310-20356	2218-20208
9262-52505	250mm	6 j Griptru	D1-6	8260-25603	8260-25602	8260-25606	8260-25607	2260-25608	2210-25509	8210-25300G	2210-25350	2310-20356	2218-25208
9262-62505	250mm	6 j Griptru	D1-8	8260-25603	8260-25602	8260-25606	8260-25607	2260-25608	2210-25509	8210-25300G	2210-25350	2310-20356	2218-25208
9262-63205	315mm	6 j Griptru	D1-8	8260-32603	8260-32602	8260-32606	8260-32607	8260-32608	2210-32509	8210-32300G	2210-32350	2310-20356	2218-32208
9267-17000	160mm	6 j Griptru	A2-4	8260-17603	8260-17602	8260-17606	8260-17607	8260-17608	2210-17509	8210-17300G	2210-17350	2210-13356	2210-17395
9267-17001	160mm	6 j Griptru	A2-5	8260-17603	8260-17602	8260-17606	8260-17607	8260-17608	2210-17509	8210-17300G	2210-17350	2210-13356	2210-17395
9267-03200	315mm	As 9260-03205 except no jaws supplied.											
9267-03210	315mm	As 9260-03205 except soft jaws only supplied.											
9267-03220	315mm	6 j Griptru	A2-8	8260-32603	8260-32602	8260-32606	8260-32607	8260-32608	2210-32509	8210-32300G	2210-32350	2310-20356	2218-32208
9270-00805	80mm	3 jaw SP	Recess	2580-08603	2580-08602	2580-08606	-	-	-	2580-08300	2580-08350	2580-08356	2580-08395
9270-01005	100mm	3 jaw SP	Recess	2580-10603	2580-10602	2580-10606	2580-10607	8210-10608	2580-10509	2580-10300	2580-10350	2580-08356	2580-10395



Chuck no./ Model no.	Size	Type	Mount	Inside Jaws (3)	Outside Jaws (3)	Soft Jaws (3)	Base Jaws (3)	Hard Top Jaws (3)	Soft Top Jaw (ea)	Scroll	Pinion	Pinion Retainer	Key
9270-01015	100mm	3 j SP TJ	Recess	2580-10603	2580-10602	2580-10606	2580-10607	8210-10608	2580-10509	2580-10300	2580-10350	2580-08356	2580-10395
9270-01305	125mm	3 jaw SP	Recess	2210-13603	2210-13602	2210-13606	2210-13607	8210-13608	2210-13509	2210-13300	2210-13350	2210-13356	2210-13395
9270-01315	125mm	3 j SP TJ	Recess	2210-13603	2210-13602	2210-13606	2210-13607	8210-13608	2210-13509	2210-13300	2210-13350	2210-13356	2210-13395
9270-01705	160mm	3 jaw SP	Recess	2210-17603	2210-17602	2210-17606	2210-17607	8210-17608	2210-17509	2210-17300	2210-17350	2210-13356	2210-17395
9270-01715	160mm	3 j SP TJ	Recess	2210-17603	2210-17602	2210-17606	2210-17607	8210-17608	2210-17509	2210-17300	2210-17350	2210-13356	2210-17395
9270-02005	200mm	3 jaw SP	Recess	2210-20603	2210-20602	2210-20606	2210-20607	8210-20608	2210-20509	2210-20300	2210-20350	2310-20356	2218-20208
9270-02015	200mm	3 j SP TJ	Recess	2210-20603	2210-20602	2210-20606	2210-20607	8210-20608	2210-20509	2210-20300	2210-20350	2310-20356	2218-20208
9270-02505	250mm	3 jaw SP	Recess	2210-25603	2210-25602	2210-25606	2210-25607	8210-25608	2210-25509	2210-25300	2210-25350	2310-20356	2218-25208
9270-02515	250mm	3 j SP TJ	Recess	2210-25603	2210-25602	2210-25606	2210-25607	8210-25608	2210-25509	2210-25300	2210-25350	2310-20356	2218-25208
9270-03205	315mm	3 jaw SP	Recess	2210-32603	2210-32602	2210-32606	2210-32607	8210-32608	2210-32509	2210-32300	2210-32350	2310-20356	2218-32208
9270-03215	315mm	3 j SP TJ	Recess	2210-32603	2210-32602	2210-32606	2210-32607	8210-32608	2210-32509	2210-32300	2210-32350	2310-20356	2218-32208
9270-03805	380mm	3 j Steel	Recess										
9270-04005	400mm	3 jaw SP	Recess	2580-38603	2580-38602	2580-38606	2580-38607	8210-40608	2580-38509	8270-40300	8270-40350	2310-20356	8271-40395
9270-04015	400mm	3 j SP TJ	Recess	2580-38603	2580-38602	2580-38606	2580-38607	8210-40608	2580-38509	8270-40300	8270-40350	2310-20356	8271-40395
9270-04605	460mm	3 j Steel	Recess	2580-46603	2580-46602	2580-46606				2980-46300	2380-46350	2310-20356	2980-38395
9270-05305	535mm	3 j Steel	Recess	2580-46603	2580-46602	2580-46606							
9270-21705	160mm	3 jaw SP	BS 5.25"	2210-17603	2210-17602	2210-17606	2210-17607	8210-17608	2210-17509	2210-17300	2210-17350	2210-13356	2210-17395
9270-22005	200mm	3 jaw SP	BS 5.25"	2210-20603	2210-20602	2210-20606	2210-20607	8210-20608	2210-20509	2210-20300	2210-20350	2310-20356	2218-20208
9270-32505	250mm	3 jaw SP	BS 7.5"	2210-25603	2210-25602	2210-25606	2210-25607	8210-25608	2210-25509	2210-25300	2210-25350	2310-20356	2218-25208
9270-33205	315mm	3 jaw SP	BS 7.5"	2210-32603	2210-32602	2210-32606	2210-32607	8210-32608	2210-32509	2210-32300	2210-32350	2310-20356	2218-32208
9270-43805	380mm	3 j Steel	BS 10"										
9270-44005	400mm	3 jaw SP	BS 10"	2580-38603	2580-38602	2580-38606	2580-38607	8210-40608	2580-38509	8270-40300	8270-40350	2310-20356	8271-40395
9271-11005	100mm	3 jaw SP	A2-3	2580-10603	2580-10602	2580-10606	2580-10607	8210-10608	2580-10509	2580-10300	2580-10350	2580-08356	2580-10395
9271-11305	125mm	3 jaw SP	A2-3	2210-13603	2210-13602	2210-13606	2210-13607	8210-13608	2210-13509	2210-13300	2210-13350	2210-13356	2210-13395
9271-11705	160mm	3 jaw SP	A2-3	2210-17603	2210-17602	2210-17606	2210-17607	8210-17608	2210-17509	2210-17300	2210-17350	2210-13356	2210-17395
9271-21305	125mm	3 jaw SP	A2-4	2210-13603	2210-13602	2210-13606	2210-13607	8210-13608	2210-13509	2210-13300	2210-13350	2210-13356	2210-13395
9271-21705	160mm	3 jaw SP	A2-4	2210-17603	2210-17602	2210-17606	2210-17607	8210-17608	2210-17509	2210-17300	2210-17350	2210-13356	2210-17395
9271-22005	200mm	3 jaw SP	A2-4	2210-20603	2210-20602	2210-20606	2210-20607	8210-20608	2210-20509	2210-20300	2210-20350	2310-20356	2218-20208
9271-31705	160mm	3 jaw SP	A2-5	2210-17603	2210-17602	2210-17606	2210-17607	8210-17608	2210-17509	2210-17300	2210-17350	2210-13356	2210-17395
9271-32005	200mm	3 jaw SP	A2-5	2210-20603	2210-20602	2210-20606	2210-20607	8210-20608	2210-20509	2210-20300	2210-20350	2310-20356	2218-20208
9271-32505	250mm	3 jaw SP	A2-5	2210-25603	2210-25602	2210-25606	2210-25607	8210-25608	2210-25509	2210-25300	2210-25350	2310-20356	2218-25208
9271-42005	200mm	3 jaw SP	A2-6	2210-20603	2210-20602	2210-20606	2210-20607	8210-20608	2210-20509	2210-20300	2210-20350	2310-20356	2218-20208
9271-42505	250mm	3 jaw SP	A2-6	2210-25603	2210-25602	2210-25606	2210-25607	8210-25608	2210-25509	2210-25300	2210-25350	2310-20356	2218-25208
9271-43205	315mm	3 jaw SP	A2-6	2210-32603	2210-32602	2210-32606	2210-32607	8210-32608	2210-32509	2210-32300	2210-32350	2310-20356	2218-32208
9271-52505	250mm	3 jaw SP	A2-8	2210-25603	2210-25602	2210-25606	2210-25607	8210-25608	2210-25509	2210-25300	2210-25350	2310-20356	2218-25208
9271-53205	315mm	3 jaw SP	A2-8	2210-32603	2210-32602	2210-32606	2210-32607	8210-32608	2210-32509	2210-32300	2210-32350	2310-20356	2218-32208
9271-54005	400mm	3 jaw SP	A2-8	2580-38603	2580-38602	2580-38606	2580-38607	8210-40608	2580-38509	8270-40300	8270-40350	2310-20356	8271-40395
9271-63205	315mm	3 jaw SP	A2-11	2210-32603	2210-32602	2210-32606	2210-32607	8210-32608	2210-32509	2210-32300	2210-32350	2310-20356	2218-32208
9271-64005	400mm	3 jaw SP	A2-11	2580-38603	2580-38602	2580-38606	2580-38607	8210-40608	2580-38509	8270-40300	8270-40350	2310-20356	8271-40395
9271-64605	460mm	3 j Steel	A2-11	2580-46603	2580-46602	2580-46606	2580-46607	2980-38608	2980-38509				
9271-65305	535mm	3 j Steel	A2-11	2580-46603	2580-46602	2580-46606	2580-46607	2980-38608	2980-38509	2389-02442	2380-46350	2310-20356	2980-38395
9271-76305	635mm	3 j Steel	A2-15										
9272-21005	100mm	3 jaw SP	D1-3	2580-10603	2580-10602	2580-10606	2580-10607	8210-10608	2580-10509	2580-10300	2580-10350	2580-08356	2580-10395
9272-21305	125mm	3 jaw SP	D1-3	2210-13603	2210-13602	2210-13606	2210-13607	8210-13608	2210-13509	2210-13300	2210-13350	2210-13356	2210-13395
9272-21705	160mm	3 jaw SP	D1-3	2210-17603	2210-17602	2210-17606	2210-17607	8210-17608	2210-17509	2210-17300	2210-17350	2210-13356	2210-17395
9272-31305	125mm	3 jaw SP	D1-4	2210-13603	2210-13602	2210-13606	2210-13607	8210-13608	2210-13509	2210-13300	2210-13350	2210-13356	2210-13395
9272-31705	160mm	3 jaw SP	D1-4	2210-17603	2210-17602	2210-17606	2210-17607	8210-17608	2210-17509	2210-17300	2210-17350	2210-13356	2210-17395
9272-32005	200mm	3 jaw SP	D1-4	2210-20603	2210-20602	2210-20606	2210-20607	8210-20608	2210-20509	2210-20300	2210-20350	2310-20356	2218-20208



Chuck no./ Model no.	Size	Type	Mount	Inside Jaws (3)	Outside Jaws (3)	Soft Jaws (3)	Base Jaws (3)	Hard Top Jaws (3)	Soft Top Jaw (ea)	Scroll	Pinion	Pinion Retainer	Key	
9272-41705	160mm	3 jaw SP	D1-5	2210-17603	2210-17602	2210-17606	2210-17607	8210-17608	2210-17509	2210-17300	2210-17350	2210-13356	2210-17395	
9272-42005	200mm	3 jaw SP	D1-5	2210-20603	2210-20602	2210-20606	2210-20607	8210-20608	2210-20509	2210-20300	2210-20350	2310-20356	2218-20208	
9272-42505	250mm	3 jaw SP	D1-5	2210-25603	2210-25602	2210-25606	2210-25607	8210-25608	2210-25509	2210-25300	2210-25350	2310-20356	2218-25208	
9272-52005	200mm	3 jaw SP	D1-6	2210-20603	2210-20602	2210-20606	2210-20607	8210-20608	2210-20509	2210-20300	2210-20350	2310-20356	2218-20208	
9272-52505	250mm	3 jaw SP	D1-6	2210-25603	2210-25602	2210-25606	2210-25607	8210-25608	2210-25509	2210-25300	2210-25350	2310-20356	2218-25208	
9272-53205	315mm	3 jaw SP	D1-6	2210-32603	2210-32602	2210-32606	2210-32607	8210-32608	2210-32509	2210-32300	2210-32350	2310-20356	2218-32208	
9272-62505	250mm	3 jaw SP	D1-8	2210-25603	2210-25602	2210-25606	2210-25607	8210-25608	2210-25509	2210-25300	2210-25350	2310-20356	2218-25208	
9272-63205	315mm	3 jaw SP	D1-8	2210-32603	2210-32602	2210-32606	2210-32607	8210-32608	2210-32509	2210-32300	2210-32350	2310-20356	2218-32208	
9272-63805	380mm	3 j Steel	D1-8											
9272-64005	400mm	3 jaw SP	D1-8	2580-38603	2580-38602	2580-38606	2580-38607	8210-40608	2580-38509	8270-40300	8270-40350	2310-20356	8271-40395	
9272-64605	460mm	3 j Steel	D1-8	2580-46603	2580-46602	2580-46606				2980-46300	2380-46350	2310-20356	2980-38395	
9272-73205	315mm	3 jaw SP	D1-11	2210-32603	2210-32602	2210-32606	2210-32607	8210-32608	2210-32509	2210-32300	2210-32350	2310-20356	2218-32208	
9272-74005	400mm	3 jaw SP	D1-11	2580-38603	2580-38602	2580-38606	2580-38607	8210-40608	2580-38509	8270-40300	8270-40350	2310-20356	8271-40395	
9272-75305	535mm	3 j Steel	D1-11	2580-46603	2580-46602	2580-46606								
9274-32005	200mm	3 jaw SP	DIN 5	2210-20603	2210-20602	2210-20606	2210-20607	8210-20608	2210-20509	2210-20300	2210-20350	2310-20356	2218-20208	
9274-42505	250mm	3 jaw SP	DIN 6	2210-25603	2210-25602	2210-25606	2210-25607	8210-25608	2210-25509	2210-25300	2210-25350	2310-20356	2218-25208	
9274-53205	315mm	3 jaw SP	DIN 8	2210-32603	2210-32602	2210-32606	2210-32607	8210-32608	2210-32509	2210-32300	2210-32350	2310-20356	2218-32208	
9277-08000	80mm	Boxford mount		2580-08603	2580-08602	2580-08606				2580-08300	2580-08350	2580-08356	2580-08395	
9277-10000	100mm	Extended key (J & S)		2580-10603	2580-10602	2580-10606	2580-10607	8210-10608	2580-10509	2580-10300	2580-10350	2580-08356	2587-10010/A	
9277-10005	100mm	Spec. inside jaws		8277-10005	2580-10602	2580-10606	2580-10607	8210-10608	2580-10509	2580-10300	2580-10350	2580-08356	2580-10395	
9277-13000	125mm	Spec. adaptor		2210-13603	2210-13602	2210-13606	2210-13607	8210-13608	2210-13509	2210-13300	2210-13350	2210-13356	2210-13395	
9277-13010	125mm	3 jaw SP	J & S	2210-13603	2210-13602	2210-13606	2210-13607	8210-13608	2210-13509	2210-13300	2210-13350	2210-13356	2210-13395	
9277-13005	125mm	Spec. adaptor		2210-13603	2210-13602	2210-13606	2210-13607	8210-13608	2210-13509	2210-13300	2210-13350	2210-13356	2210-13395	
9277-13015	125mm	Hardinge adaptor		2210-13603	2210-13602	2210-13606	2210-13607	8210-13608	2210-13509	2210-13300	2210-13350	2210-13356	2210-13395	
9277-13020	125mm	Hardinge adaptor		2210-13603	2210-13602	2210-13606	2210-13607	8210-13608	2210-13509	2210-13300	2210-13350	2210-13356	2210-13395	
9277-13025	125mm	Hardinge adaptor		2210-13603	2210-13602	2210-13606	2210-13607	8210-13608	2210-13509	2210-13300	2210-13350	2210-13356	2210-13395	
9277-13030	125mm	Cincinnati adaptor		2210-13603	2210-13602	2210-13606	2210-13607	8210-13608	2210-13509	2210-13300	2210-13350	2210-13356	2210-13395	
9277-13035	125mm	No jaws supplied		2210-13603	2210-13602	2210-13606	2210-13607	8210-13608	2210-13509	2210-13300	2210-13350	2210-13356	2210-13395	
9277-17010	160mm	As standard chuck		2210-17603	2210-17602	2210-17606	2210-17607	8210-17608	2210-17509	2210-17300	2210-17350	2210-13356	2210-17395	
9277-20000	200mm	Bore 56mm		2210-20603	2210-20602	2210-20606	2210-20607	8210-20608	2210-20509	2210-20300	2210-20350	2310-20356	2218-20208	
9277-25000	250mm	Modify to 2 jaw op.				8277-25001	2210-25607	8210-25608	2210-25509	2210-25300	2210-25350	2310-20356	2218-25208	
9277-25010	250mm	DIN 6 mount		2210-25603	2210-25602	2210-25606	2210-25607	8210-25608	2210-25509	2210-25300	2210-25350	2310-20356	2218-25208	
9277-32000	315mm	DSG Fastlock mount		2210-32603	2210-32602	2210-32606	2210-32607	8210-32608	2210-32509	2210-32300	2210-32350	2310-20356	2218-32208	
9277-32010	315mm	3 jaw SP	Recess	8277-32011	8277-32012	8277-32013	8277-32014	} Jaws can be modified } from standard jaws } 2210-32602, } 2210-32603 } 2210-32606 and } 2210-32607.			2210-32300	2210-32350	2310-20356	2218-32208
9277-32020	315mm	3 jaw SP	D1-6	8277-32011	8277-32012	8277-32013	8277-32014				2210-32300	2210-32350	2310-20356	2218-32208
9277-32030	315mm	3 jaw SP	D1-8	8277-32011	8277-32012	8277-32013					2210-32300	2210-32350	2310-20356	2218-32208
9277-32040	315mm	3 jaw SP	D1-11	8277-32011	8277-32012	8277-32013					2210-32300	2210-32350	2310-20356	2218-32208
9277-32050	315mm	3 jaw SP	DIN 8	8277-32011	8277-32012	8277-32013					2210-32300	2210-32350	2310-20356	2218-32208
9277-32060	315mm	3 jaw SP	DIN 6 }	8277-32011	8277-32012	8277-32013								
<b>Note - duplicated reference }</b>														
9277-32060	315mm	Bore 123.44mm }		2210-32603	2210-32602	2210-32606	2210-32607	8210-32608	2210-32509	2210-32300	2210-32350	2310-20356	2218-32208	
9277-40000	400mm	Special Key		2580-38603	2580-38602	2580-38606	2580-38607	8210-40608	2580-38509	8270-40300	8270-40350	2310-20356	8277-40000	
9277-53000	535mm	D1-11 mount		2580-46603	2580-46602	2580-46606								
9277-53005	535mm	160mm bore		2580-46603	2580-46602	2580-46606								
9280-01005	100mm	4 jaw SP	Recess	2590-10603	2590-10602	2590-10606	2590-10607	2590-10608	2580-10509	2580-10300	2580-10350	2580-08356	2580-10395	
9280-01305	125mm	4 jaw SP	Recess	2230-13603	2230-13602	2230-13606	2230-13607	2230-13608	2210-13509	2210-13300	2210-13350	2210-13356	2210-13395	



Chuck no/ Model no.	Size	Type	Mount	Inside Jaws (3)	Outside Jaws (3)	Soft Jaws (3)	Base Jaws (3)	Hard Top Jaws (3)	Soft Top Jaw (ea)	Scroll	Pinion	Pinion Retainer	Key
9280-01705	160mm	4 jaw SP	Recess	2230-17603	2230-17602	2230-17606	2230-17607	2230-17608	2210-17509	2210-17300	2210-17350	2210-13356	2210-17395
9280-02005	200mm	4 jaw SP	Recess	2230-20603	2230-20602	2230-20606	2230-20607	2230-20608	2210-20509	2210-20300	2210-20350	2310-20356	2218-20208
9280-02505	250mm	4 jaw SP	Recess	2230-25603	2230-25602	2230-25606	2230-25607	2230-25608	2210-25509	2210-25300	2210-25350	2310-20356	2218-25208
9280-03205	315mm	4 jaw SP	Recess	2230-32603	2230-32602	2230-32606	2230-32607	2230-32608	2210-32509	2210-32300	2210-32350	2310-20356	2218-32208
9280-04005	400mm	4 jaw SP	Recess	2590-38603	2590-38602	2590-38606	2590-38607	2590-38608	2580-38509	8270-40300	8270-40350	2310-20356	8271-40395
9370-02023	8.25"	3 jaw Universal (1993)	USA (60° serrated base jaws)				8370-20523	(single code)	-	2210-20300	2219-00372	2310-20356	2218-20208
9370-02523	10"	3 jaw Universal (1993)	USA (60° serrated base jaws)				8370-26523	(single code)	-	2219-00381	2210-25350	2310-20356	2218-25208
9370-03123	12"	3 jaw Universal (1993)	USA (60° serrated base jaws)				8370-31523	(single code)	-	2210-32300	2210-32350	2310-20356	2218-32208
9460-00705	70mm	L.Scroll	Recess	8210-08603	8210-08602	8210-08606	-	-	-	-	-	-	-
9460-01005	100mm	L.Scroll	Recess	8210-10603	8210-10602	8210-10606	-	-	-	-	-	-	-
95	See code numbers 1930-												
	Standard Accuracy chucks (code nos. 958x-xxxx below) can be identified by a 'v' groove machined in the chuck outside diameter.												
9580-00805	80mm	3 j S.Acc.	Recess	8210-08603	8210-08602	8210-08606	Not supplied	Not supplied	Not supplied	8580-08300	8580-08350	8580-08356	8580-08395
9580-01005	100mm	3 j S.Acc.	Recess	8210-10603	8210-10602	8210-10606	8210-10607	8210-10608	2580-10609	8580-10300	8580-10350	8580-08356	8580-10395
9580-01305	125mm	3 j S.Acc.	Recess	8210-13603	8210-13602	8210-13606	8210-13607	8210-13608	2210-13609	8580-13300	8580-13350	8580-13356	8580-13395
9580-01315	125mm	3 jaw TJ	Recess	8210-13603	8210-13602	8210-13606	8210-13607	8210-13608	2210-13609	8580-13300	8580-13350	8580-13356	8580-13395
9580-01705	160mm	3 j S.Acc.	Recess	8210-17603	8210-17602	8210-17606	8210-17607	8210-17608	2210-17509	8580-17300	8580-17350	8580-13356	8580-17395
9580-01715	160mm	3 jaw TJ	Recess	8210-17603	8210-17602	8210-17606	8210-17607	8210-17608	2210-17509	8580-17300	8580-17350	8580-13356	8580-17395
9580-02005	200mm	3 j S.Acc.	Recess	8210-20603	8210-20602	8210-20606	8210-20607	8210-20608	2210-20509	8580-20300	8580-20350	8580-13356	8580-20395
9580-02015	200mm	3 jaw TJ	Recess	8210-20603	8210-20602	8210-20606	8210-20607	8210-20608	2210-20509	8580-20300	8580-20350	8580-13356	8580-20395
9580-02505	250mm	3 j S.Acc.	Recess	8210-25603	8210-25602	8210-25606	8210-25607	8210-25608	2210-25509	8580-25300	8580-25350	8580-25356	8580-25395
9580-02515	250mm	3 jaw TJ	Recess	8210-25603	8210-25602	8210-25606	8210-25607	8210-25608	2210-25509	8580-25300	8580-25350	8580-25356	8580-25395
9580-03205	315mm	3 j S.Acc.	Recess	8210-32603	8210-32602	8210-32606	8210-32607	8210-32608	2210-32509	8580-32300	8580-32350	8580-32356	8580-32395
9580-03215	315mm	3 jaw TJ	Recess	8210-32603	8210-32602	8210-32606	8210-32607	8210-32608	2210-32509	8580-32300	8580-32350	8580-32356	8580-32395
9580-04005	400mm	3 j S.Acc.	Recess	8210-40603	8210-40602	8210-40606	8210-40607	8210-40608	2580-38509	8580-40300	8580-40350	8580-40356	8580-40395
9580-04015	400mm	3 jaw TJ	Recess	8210-40603	8210-40602	8210-40606	8210-40607	8210-40608	2580-38509	8580-40300	8580-40350	8580-40356	8580-40395
9580-05105	500mm	3 j S.Acc.	Recess	8580-50603	8580-50602	8580-50606							8580-40395
9581-11005	100mm	3 j S.Acc.	A2-3	8210-10603	8210-10602	8210-10606	8210-10607	8210-10608	2580-10609	8580-10300	8580-10350	8580-08356	8580-10395
9581-11305	125mm	3 j S.Acc.	A2-3	8210-13603	8210-13602	8210-13606	8210-13607	8210-13608	2210-13609	8580-13300	8580-13350	8580-13356	8580-13395
9581-11705	160mm	3 j S.Acc.	A2-3	8210-17603	8210-17602	8210-17606	8210-17607	8210-17608	2210-17509	8580-17300	8580-17350	8580-13356	8580-17395
9581-21305	125mm	3 j S.Acc.	A2-4	8210-13603	8210-13602	8210-13606	8210-13607	8210-13608	2210-13609	8580-13300	8580-13350	8580-13356	8580-13395
9581-21705	160mm	3 j S.Acc.	A2-4	8210-17603	8210-17602	8210-17606	8210-17607	8210-17608	2210-17509	8580-17300	8580-17350	8580-13356	8580-17395
9581-22005	200mm	3 j S.Acc.	A2-4	8210-20603	8210-20602	8210-20606	8210-20607	8210-20608	2210-20509	8580-20300	8580-20350	8580-13356	8580-20395
9581-31705	160mm	3 j S.Acc.	A2-5	8210-17603	8210-17602	8210-17606	8210-17607	8210-17608	2210-17509	8580-17300	8580-17350	8580-13356	8580-17395
9581-32005	200mm	3 j S.Acc.	A2-5	8210-20603	8210-20602	8210-20606	8210-20607	8210-20608	2210-20509	8580-20300	8580-20350	8580-13356	8580-20395
9581-32505	250mm	3 j S.Acc.	A2-5	8210-25603	8210-25602	8210-25606	8210-25607	8210-25608	2210-25509	8580-25300	8580-25350	8580-25356	8580-25395
9581-42005	200mm	3 j S.Acc.	A2-6	8210-20603	8210-20602	8210-20606	8210-20607	8210-20608	2210-20509	8580-20300	8580-20350	8580-13356	8580-20395
9581-42505	250mm	3 j S.Acc.	A2-6	8210-25603	8210-25602	8210-25606	8210-25607	8210-25608	2210-25509	8580-25300	8580-25350	8580-25356	8580-25395
9581-43205	315mm	3 j S.Acc.	A2-6	8210-32603	8210-32602	8210-32606	8210-32607	8210-32608	2210-32509	8580-32300	8580-32350	8580-32356	8580-32395
9581-52505	250mm	3 j S.Acc.	A2-8	8210-25603	8210-25602	8210-25606	8210-25607	8210-25608	2210-25509	8580-25300	8580-25350	8580-25356	8580-25395
9581-53205	315mm	3 j S.Acc.	A2-8	8210-32603	8210-32602	8210-32606	8210-32607	8210-32608	2210-32509	8580-32300	8580-32350	8580-32356	8580-32395
9581-54005	400mm	3 j S.Acc.	A2-8	8210-40603	8210-40602	8210-40606	8210-40607	8210-40608	2580-38509	8580-40300	8580-40350	8580-40356	8580-40395
9581-63205	315mm	3 j S.Acc.	A2-11	8210-32603	8210-32602	8210-32606	8210-32607	8210-32608	2210-32509	8580-32300	8580-32350	8580-32356	8580-32395
9581-64005	400mm	3 j S.Acc.	A2-11	8210-40603	8210-40602	8210-40606	8210-40607	8210-40608	2580-38509	8580-40300	8580-40350	8580-40356	8580-40395
9582-21005	100mm	3 j S.Acc.	D1-3	8210-10603	8210-10602	8210-10606	8210-10607	8210-10608	2580-10609	8580-10300	8580-10350	8580-08356	8580-10395
9582-21305	125mm	3 j S.Acc.	D1-3	8210-13603	8210-13602	8210-13606	8210-13607	8210-13608	2210-13609	8580-13300	8580-13350	8580-13356	8580-13395
9582-21705	160mm	3 j S.Acc.	D1-3	8210-17603	8210-17602	8210-17606	8210-17607	8210-17608	2210-17509	8580-17300	8580-17350	8580-13356	8580-17395



Chuck no/ Model no.	Size	Type	Mount	Inside Jaws (set)	Outside Jaws (set)	Soft Jaws (set)	Base Jaws (set)	Hard Top Jaws (set)	Soft Top Jaw (ea)	Scroll	Pinion	Pinion Retainer	Key
9582-31305	125mm	3 j S.Acc.	D1-4	8210-13603	8210-13602	8210-13606	8210-13607	8210-13608	2210-13609	8580-13300	8580-13350	8580-13356	8580-13395
9582-31705	160mm	3 j S.Acc.	D1-4	8210-17603	8210-17602	8210-17606	8210-17607	8210-17608	2210-17509	8580-17300	8580-17350	8580-13356	8580-17395
9582-32005	200mm	3 j S.Acc.	D1-4	8210-20603	8210-20602	8210-20606	8210-20607	8210-20608	2210-20509	8580-20300	8580-20350	8580-13356	8580-20395
9582-41705	160mm	3 j S.Acc.	D1-5	8210-17603	8210-17602	8210-17606	8210-17607	8210-17608	2210-17509	8580-17300	8580-17350	8580-13356	8580-17395
9582-42005	200mm	3 j S.Acc.	D1-5	8210-20603	8210-20602	8210-20606	8210-20607	8210-20608	2210-20509	8580-20300	8580-20350	8580-13356	8580-20395
9582-42505	250mm	3 j S.Acc.	D1-5	8210-25603	8210-25602	8210-25606	8210-25607	8210-25608	2210-25509	8580-25300	8580-25350	8580-25356	8580-25395
9582-52005	200mm	3 j S.Acc.	D1-6	8210-20603	8210-20602	8210-20606	8210-20607	8210-20608	2210-20509	8580-20300	8580-20350	8580-13356	8580-20395
9582-52505	250mm	3 j S.Acc.	D1-6	8210-25603	8210-25602	8210-25606	8210-25607	8210-25608	2210-25509	8580-25300	8580-25350	8580-25356	8580-25395
9582-53205	315mm	3 j S.Acc.	D1-6	8210-32603	8210-32602	8210-32606	8210-32607	8210-32608	2210-32509	8580-32300	8580-32350	8580-32356	8580-32395
9582-62005	200mm	3 j S.Acc.	D1-8	8210-20603	8210-20602	8210-20606	8210-20607	8210-20608	2210-20509	8580-20300	8580-20350	8580-13356	8580-20395
9582-62505	250mm	3 j S.Acc.	D1-8	8210-25603	8210-25602	8210-25606	8210-25607	8210-25608	2210-25509	8580-25300	8580-25350	8580-25356	8580-25395
9582-63205	315mm	3 j S.Acc.	D1-8	8210-32603	8210-32602	8210-32606	8210-32607	8210-32608	2210-32509	8580-32300	8580-32350	8580-32356	8580-32395
9582-64005	400mm	3 j S.Acc.	D1-8	8210-40603	8210-40602	8210-40606	8210-40607	8210-40608	2580-38509	8580-40300	8580-40350	8580-40356	8580-40395
9582-73205	315mm	3 j S.Acc.	D1-11	8210-32603	8210-32602	8210-32606	8210-32607	8210-32608	2210-32509	8580-32300	8580-32350	8580-32356	8580-32395
9582-74005	400mm	3 j S.Acc.	D1-11	8210-40603	8210-40602	8210-40606	8210-40607	8210-40608	2580-38509	8580-40300	8580-40350	8580-40356	8580-40395
9584-11305	125mm	3 j S.Acc.	DIN 3	8210-13603	8210-13602	8210-13606	8210-13607	8210-13608	2210-13609	8580-13300	8580-13350	8580-13356	8580-13395
9584-11705	160mm	3 j S.Acc.	DIN 3	8210-17603	8210-17602	8210-17606	8210-17607	8210-17608	2210-17509	8580-17300	8580-17350	8580-13356	8580-17395
9584-21705	160mm	3 j S.Acc.	DIN 4	8210-17603	8210-17602	8210-17606	8210-17607	8210-17608	2210-17509	8580-17300	8580-17350	8580-13356	8580-17395
9584-22005	200mm	3 j S.Acc.	DIN 4	8210-20603	8210-20602	8210-20606	8210-20607	8210-20608	2210-20509	8580-20300	8580-20350	8580-13356	8580-20395
9584-31705	160mm	3 j S.Acc.	DIN 5	8210-17603	8210-17602	8210-17606	8210-17607	8210-17608	2210-17509	8580-17300	8580-17350	8580-13356	8580-17395
9584-32005	200mm	3 j S.Acc.	DIN 5	8210-20603	8210-20602	8210-20606	8210-20607	8210-20608	2210-20509	8580-20300	8580-20350	8580-13356	8580-20395
9584-32505	250mm	3 j S.Acc.	DIN 5	8210-25603	8210-25602	8210-25606	8210-25607	8210-25608	2210-25509	8580-25300	8580-25350	8580-25356	8580-25395
9584-42005	200mm	3 j S.Acc.	DIN 6	8210-20603	8210-20602	8210-20606	8210-20607	8210-20608	2210-20509	8580-20300	8580-20350	8580-13356	8580-20395
9584-42505	250mm	3 j S.Acc.	DIN 6	8210-25603	8210-25602	8210-25606	8210-25607	8210-25608	2210-25509	8580-25300	8580-25350	8580-25356	8580-25395
9584-43205	315mm	3 j S.Acc.	DIN 6	8210-32603	8210-32602	8210-32606	8210-32607	8210-32608	2210-32509	8580-32300	8580-32350	8580-32356	8580-32395
9584-52505	250mm	3 j S.Acc.	DIN 8	8210-25603	8210-25602	8210-25606	8210-25607	8210-25608	2210-25509	8580-25300	8580-25350	8580-25356	8580-25395
9584-53205	315mm	3 j S.Acc.	DIN 8	8210-32603	8210-32602	8210-32606	8210-32607	8210-32608	2210-32509	8580-32300	8580-32350	8580-32356	8580-32395
9584-54005	400mm	3 j S.Acc.	DIN 8	8210-40603	8210-40602	8210-40606	Not supplied	Not supplied	Not supplied	8580-40300	8580-40350	8580-40356	8580-40395
9584-63205	315mm	3 j S.Acc.	DIN 11	8210-32603	8210-32602	8210-32606	8210-32607	8210-32608	2210-32509	8580-32300	8580-32350	8580-32356	8580-32395
9584-64005	400mm	3 j S.Acc.	DIN 11	8210-40603	8210-40602	8210-40606	Not supplied	Not supplied	Not supplied	8580-40300	8580-40350	8580-40356	8580-40395
9587-08001	80mm	Special	Boxford mount.	Spares as 9580-00805?									
9587-08002	80mm	3 j S.Acc.	Boxford	8210-08603	8210-08602	8210-08606	Not supplied	Not supplied	Not supplied	8580-08300	8580-08350	8580-08356	140mm long
9587-20000	200mm	Spares as 9580-02005. (standard chuck except soft jaws only).											
9587-20001	200mm	Spares as 9580-02005. 6" recess.											
96	See code numbers 1940-												
9630-	While cat. numbers 9630-00805 and 9630-01005 were referenced in the 1993 catalogue, this numbering sequence was never used. The correct numbers should be 9250-00805 and 9250-01005.												
9640-01305	125mm	6 jaw SP Metric		8260-13603	8260-13602	8260-13606	8260-13607	8260-13608	2210-13509	8210-13300G	2210-13350	2210-13356	2210-13395
9640-01705	160mm	6 jaw SP Metric		8260-17603	8260-17602	8260-17606	8260-17607	8260-17608	2210-17509	8210-17300G	2210-17350	2210-13356	2210-17395
9640-02005	200mm	6 jaw SP Metric		8260-20603	8260-20602	8260-20606	8260-20607	8260-20608	2210-20509	8210-20300G	2210-20350	2310-20356	2218-20208
9640-02505	250mm	6 jaw SP Metric		8260-25603	8260-25602	8260-25606	8260-25607	8260-25608	2210-25509	8210-25300G	2210-25350	2310-20356	2218-25208
9640-03205	315mm	6 jaw SP Metric		8260-32603	8260-32602	8260-32606	8260-32607	8260-32608	2210-32509	8210-32300G	2210-32350	2310-20356	2218-32208
9640-04005	400mm	6 jaw SP Metric	Details unknown.										
9650-01305	125mm	6 jaw	Recess	2260-13603	2260-13602	2260-13606	2260-13607	2260-13608	2210-13509	2210-13300	2210-13350	2210-13356	2210-13395
9650-01705	160mm	6 jaw	Recess	2260-17603	2260-17602	2260-17606	2260-17607	8260-17608	2210-17509	2210-17300	2210-17350	2210-13356	2210-17395
9650-02005	200mm	6 jaw	Recess	2260-20603	2260-20602	2260-20606	-	-	-	2210-20300	2210-20350	2310-20356	2218-20208
9650-02505	250mm	6 jaw	Recess	2260-25603	2260-25602	2260-25606	-	-	-	2210-25300	2210-25350	2310-20356	2218-25208
9650-03205	315mm	6 jaw	Recess	2260-32603	2260-32602	2260-32606	-	-	-	2210-32300	2210-32350	2310-20356	2218-32208
9650-04005	400mm	6 jaw	Recess	{2589-50204	2589-50205}	8650-40606	-	-	-	8270-40300	8270-40350	2310-20356	8271-40395





Chuck no./ Model no.	Size	Type	Mount	Inside Jaws (set)	Outside Jaws (set)	Soft Jaws (set)	Base Jaws (3)	Hard Top Jaws (3)	Soft Top Jaw (ea)	Scroll	Pinion	Pinion Retainer	Key	
9657-40010	400mm	As 9650-04005 except TJ.					8657-40011		2580-38509					
9780-04705	460mm	3 j Steel	Recess	2580-46603	2580-46602	2580-46606	2580-46607	2980-38608	2980-38509	8270-47300	2580-46350	2980-31355	2980-38395	
9780-04715	460mm	3 j St. TJ	Recess	2580-46603	2580-46602	2580-46606	2580-46607	2980-38608	2980-38509	8270-47300	2580-46350	2980-31355	2980-38395	
9780-05305	535mm	3 j Steel	Recess	2580-46603	2580-46602	2580-46606	2580-46607	2980-38608	2980-38509	8270-53300	2580-53350	2980-31355	2980-38395	
9780-05315	535mm	3 j St. TJ	Recess	2580-46603	2580-46602	2580-46606	2580-46607	2980-38608	2980-38509	8270-53300	2580-53350	2980-31355	2980-38395	
9780-06105	610mm	3 j Steel	Recess	2580-46603	2580-46602	2580-46606	2580-46607	2980-38608	2980-38509	8270-53300	2580-61350	2980-31355	2980-38395	
9780-06115	610mm	3 j St. TJ	Recess	2580-46603	2580-46602	2580-46606	2580-46607	2980-38608	2980-38509	8270-53300	2580-61350	2980-31355	2980-38395	
9782-64705	460mm	3 j Steel	D1-8	2580-46603	2580-46602	2580-46606	2580-46607	2980-38608	2980-38509	8270-47300	2580-46350	2980-31355	2980-38395	
9782-74715	460mm	3 j St. TJ	D1-11	2580-46603	2580-46602	2580-46606	2580-46607	2980-38608	2980-38509	8270-47300	2580-46350	2980-31355	2980-38395	
9782-75315	535mm	3 j St. TJ	Recess	2580-46603	2580-46602	2580-46606	2580-46607	2980-38608	2980-38509	8270-53300	2580-53350	2980-31355	2980-38395	
9784-54705	460mm	3 j Steel	DIN 8	2580-46603	2580-46602	2580-46606	2580-46607	2980-38608	2980-38509	8270-47300	2580-46350	2980-31355	2980-38395	
9784-66105	610mm	3 j Steel	DIN 11	2580-46603	2580-46602	2580-46606	2580-46607	2980-38608	2980-38509	8270-53300	2580-61350	2980-31355	2980-38395	
9787-47000	460mm	Spares as 9780-04605. 9.5" recess.												
9787-47010	460mm	Spares as 9780-04605. A2-11 mount. TJ.						2580-46607	2980-38608	2980-38509				
9787-47015	460mm	Spares as 9780-04605. 155mm bore. A2-15 mount												
9787-47020	460mm	Spares as 9780-04605. 155mm bore. 330mm recess.												
9787-53000	535mm	TJ Steel	A2-11	2580-46603	2580-46602	2580-46606	2580-46607	2980-38608	2980-38509	2789-02492	2580-53350	2980-31355	2980-38395	
9787-53010	535mm	3 j Steel		2580-46603	2580-46602	2580-46606	2580-46607	2980-38608	2980-38509	2789-02492	2580-53350	2980-31355	2980-38395	
9787-53020	535mm	3 j Steel	DIN 11	2580-46603	2580-46602	2580-46606	2580-46607	2980-38608	2980-38509	2789-02492	2580-53350	2980-31355	2980-38395	
9787-53030	535mm	3 j Steel	D1-11 TJ	2580-46603	2580-46602	2580-46606	2580-46607	2980-38608	2980-38509	8270-53300	2580-53350	2980-31355	2980-38395	
9787-61000	610mm	TJ Steel	D1-11	2580-46603	2580-46602	2580-46606	2580-46607	2980-38608	2980-38509	8270-53300	2580-61350	2980-31355	2980-38395	
9787-61010	610mm	Spares as 9780-06105. A2-11 mount. Bore 125mm.												
9787-61015	610mm	3 j Steel	A2-15	2580-46603	2580-46602	2580-46606	2580-46607	2980-38608	2980-38509	8270-53300	2580-61350	2980-31355	2980-38395	
9787-61020	610mm	3 j Steel	D1-11	2580-46603	2580-46602	2580-46606	2580-46607	2980-38608	2980-38509	8270-53300	2580-61350	2980-31355	2980-38395	
9789-00010	535mm	TJ Steel	Recess	2580-46603	2580-46602	2580-46606	2580-46607	2980-38608	2980-38509	2789-02492	2580-53350	2980-31355	2980-38395	
B5995/2	12"	3 jaw GS	Mitchell	2780-31603	2780-31602	2780-31606	2780-31607	8210-32608	2210-32509	2780-31300	2780-31350	2980-17355	2588-27224	
C0302	12"	3 jaw GS	Lang FL2	2780-31603	2780-31602	2780-31606	2780-31607	8210-32608	2210-32509	2780-31300	2780-31350	2980-17355	2788-32952	
C0322	15"	3 jaw GS	Lang FL3	2580-38603	2580-38602	2580-38606	2580-38607	8210-40608	2580-38509	2788-38952	2580-38350	2980-17355	2788-24953	
C0324	9"	3 jaw GS	Lang FL2	2780-23603	2780-23602	2780-23606	2780-23607	2780-23608	2780-23509	2780-23300	2788-24952	2980-17355	2788-24953	
C0325	10.5"	3 jaw GS	Lang FL2	2210-25603	2210-25602	2210-25606	2210-25607	8210-25608	2210-25509	2780-27300	2788-27952	2980-17355	2788-27953	
C0326	10.5"	3 jaw GS	Lang FL3	2210-25603	2210-25602	2210-25606	2210-25607	8210-25608	2210-25509	2780-27300	2788-27952	2980-17355	2788-27953	
C0327	12"	3 jaw GS	Lang FL3	2780-31603	2780-31602	2780-31606	2780-31607	8210-32608	2210-32509	2780-31300	2780-31350	2980-17355	2788-32952	
C0328	12"	3 jaw GS	Lang FL4	2780-31603	2780-31602	2780-31606	2780-31607	8210-32608	2210-32509	2788-35956	2780-31350	2980-17355	2788-32952	
C0329	15"	3 jaw GS	Lang FL4	2580-38603	2580-38602	2580-38606	2580-38607	8210-40608	2580-38509	2788-38952	2580-38350	2980-17355	2788-38953	
Mitchell Drg.6022/1 (10.5")				2580-27603	2580-27602	2580-27606	2580-27607	2580-27608	Obsolete	2580-27300	2580-27350	2580-27356	2580-38395	
Mitchell Drg.B5995/2				2780-31603	2780-31602	2780-31606	2780-31607	8210-32608	2210-32509	2780-31300	2780-31350	2980-17355	2588-27224	
N29	3"	3 jaw BP	Recess	2580-08603	2580-08602	2580-08606	-	-	-	2580-08300	2580-08350	2580-08356	2580-08395	
N30	4"	3 jaw BP	Recess	2580-10603	2580-10602	2580-10606	2580-10607	8210-10608	2580-10509	2580-10300	2580-10350	2580-14356	2580-10395	
N30A	5"	3 jaw BP	Recess	2210-13603	2210-13602	2210-13606	2210-13607	8210-13608	2210-13509	2580-14300	2580-14350	2580-14356	2580-10395	
N30M	4"	3 jaw BP	Myford	2580-10603	2580-10602	2580-10606	2580-10607	8210-10608	2580-10509	2580-10300	2580-10350	2580-14356	2580-10395	
N31	6"	3 jaw BP	Recess	2210-17603	2210-17602	2210-17606	2210-17607	8210-17608	2210-17509	2580-16300	2580-16350	2580-16356	2580-16395	
N31L00	6"	3 jaw BP	L00	2210-17603	2210-17602	2210-17606	2210-17607	8210-17608	2210-17509	2580-16300	2580-16350	2580-16356	2580-16395	
N31L0	6"	3 jaw BP	L0	2210-17603	2210-17602	2210-17606	2210-17607	8210-17608	2210-17509	2580-16300	2580-16350	2580-16356	2580-16395	



Chuck no./ Model no.	Size	Type	Mount	Inside Jaws (3)	Outside Jaws (3)	Soft Jaws (3)	Base Jaws (3)	Hard Top Jaws (3)	Soft Top Jaw (ea)	Scroll	Pinion	Pinion Retainer	Key
N51	8"	3 jaw BP	Recess	2580-19603	2580-19602	2580-19606	2580-19607	2580-19608	2580-19509	2580-21300	2580-21350	2580-16356	2980-26395
N51Y	8"	4 jaw BP	Recess	2590-19603	2590-19602	2590-19606	2590-19607	2590-19608	2580-19509	2580-21300	2580-21350	2580-16356	2980-26395
N52	7.5"	3 jaw BP	Recess	2580-19603	2580-19602	2580-19606	2580-19607	2580-19608	2580-19509	2580-19300	2580-19350	2580-16356	2980-17395
N52L0	7.5"	3 jaw BP	L0	2580-19603	2580-19602	2580-19606	2580-19607	2580-19608	2580-19509	2580-19300	2580-19350	2580-16356	2980-17395
N53	9"	3 jaw BP	Recess	2580-23603	2580-23602	2580-23606	2580-23607	2580-23608	Obsolete	2580-23300	2580-23350	2580-16356	2580-38395
N53Y	9"	4 jaw BP	Recess	2590-23603	2590-23602	2590-23606	2590-23607	2590-23608	Obsolete	2580-23300	2580-23350	2580-16356	2580-38395
N54	10.5"	3 jaw BP	Recess	2580-27603	2580-27602	2580-27606	2580-27607	2580-27608	Obsolete	2580-27300	2580-27350	2580-27356	2580-38395
N54Y	10.5"	4 jaw BP	Recess	2590-27603	2590-27602	2590-27606	2590-27607	2590-27608	Obsolete	2580-27300	2580-27350	2580-27356	2580-38395
N55	12"	3 jaw BP	Recess	2580-27603	2580-27602	2580-27606	2580-31607	2580-31608	Obsolete	2580-31300	2580-31350	2580-27356	2580-38395
N55Y	12"	4 jaw BP	Recess	2590-27603	2590-27602	2590-27606	2590-31607	2590-31608	Obsolete	2580-31300	2580-31350	2580-27356	2580-38395
N129	3"	3 jaw BP	Griptru	2580-08603	2580-08602	2580-08606	-	-	-	2580-08300	2580-08350	2580-08356	2580-08395
N129	3"	3 jaw BP	Griptru	(Micro-adjusting screw =		2630-08360	)			(Micro-screw key =	SSKEYL0.156		
N130	4"	3 jaw BP	Griptru	2580-10603	2580-10602	2580-10606	2580-10607	8210-10608	2580-10509	2580-10300	2580-10350	2580-14356	2580-10395
N130	4"	3 jaw BP	Griptru	(Micro-adjusting screw =		2630-10360	)			(Micro-screw key =	SSKEYL0.188		
N154	10.5"	3 jaw BP	Griptru	2580-27603	2580-27602	2580-27606	2580-27607	2580-27608	Obsolete	2580-27300	2580-27350	2580-27356	2580-38395
N154	10.5"	3 jaw BP	Griptru	(Micro-adjusting screw =		2630-27360	)			(Micro-screw key =	SSKEY L0.375		
N154Z	10.5"	6 jaw BP	Griptru	2640-27603	2640-27602	2640-27606	2640-27607			2580-27300	2580-27350	2580-27356	2580-38395
N154Z	10.5"	6 jaw BP	Griptru	(Micro-adjusting screw =		2630-27360	)			(Micro-screw key =	SSKEY L0.375		
N155	12"	3 jaw BP	Griptru	2580-27603	2580-27602	2580-27606	2580-31607	2580-31608	Obsolete	2580-31300	2580-31350	2580-27356	2580-38395
N155	12"	3 jaw BP	Griptru	(Micro-adjusting screw =		2630-27360	)			(Micro-screw key =	SSKEY L0.375		
N155Z	12"	6 jaw BP	Griptru	2640-27603	2640-27602	2640-27606				2580-31300	2580-31350	2580-27356	2580-38395
N155Z	12"	6 jaw BP	Griptru	(Micro-adjusting screw =		2630-27360	)			(Micro-screw key =	SSKEY L0.375		
SG55	12"	3 jaw BP	Recess	2580-27603	2580-27602	2580-27606	2580-31607	2580-31608	Obsolete	2580-31300	2580-31350	2580-27356	2580-38395
SG55D8	12"	3 jaw BP	D1-8	2580-27603	2580-27602	2580-27606	2580-31607	2580-31608	Obsolete	2580-31300	2580-31350	2580-27356	2580-38395

Note - above Burnerd model numbers may be followed by the chuck mount, or indication of two-piece jaws being fitted, ie N155L1, N55D8 or SG55D8TJ etc. In these instances spares are the same as for the recess mount chuck.

**MISCELLANEOUS and OLD TYPE SCROLL CHUCKS**

(Used in the main to identify old serial number records having only a chuck description).

Some of the models below may also be included in the main records, as catalogue numbers were introduced.

Size / model Drawing no.	Type	Mount	Inside Jaws (3)	Outside Jaws (3)	Soft Jaws (3)	Base Jaws (3)	Hard Top Jaws (3)	Soft Top Jaw (ea)	Scroll	Pinion	Pinion Retainer	Key
3" 46 (Burnerd) Lever Scr.		Recess	2460-07603	2460-07602	2460-07606	-	-	-	2460-07300	-	-	-
3" 58 (Pratt)	3 jaw Iron	Recess	Obsolete	Obsolete	Obsolete	Obsolete	Obsolete	Obsolete	Obsolete	Obsolete	Obsolete	Obsolete
3" 58 (Burnerd)	3 jaw Iron	Recess	2580-08603	2580-08602	2580-08606	n/a	n/a	n/a	2580-08300	2580-08350	2580-08356	2580-08395
3 1/8" 3 jaw knurled ring, model 46 (Pratt)				No spares available.		Do not confuse this with the 3" Burnerd model 46 above.						
4" 46 (Burnerd) Lever Scr.		Recess	2460-10603	2460-10602	2460-10606	-	-	-	2460-10300	-	-	-
4" 58 (Pratt)	3 jaw Iron	Recess	Obsolete	Obsolete	Obsolete	Obsolete	Obsolete	Obsolete	Obsolete	Obsolete	Obsolete	2580-16395
4" 58 (Burnerd)	3 jaw Iron	Recess	2580-10603	2580-10602	2580-10606	2580-10607	8210-10608	2580-10509	2580-10300	2580-10350	2580-08356	2580-10395
4" 78 (Burnerd)	3 jaw St.	Recess	2580-10603	2580-10602	2580-10606	-	8210-10608	2580-10509	2580-10300	2580-10350	2580-08356	2580-10395
4" 59 (Burnerd)	4 jaw Iron	Recess	2590-10603	2590-10602	2590-10606	2590-10607	2590-10608	2580-10509	2580-10300	2580-10350	2580-08356	2580-10395
4" 79 (Burnerd)	4 jaw St.	Recess	2590-10603	2590-10602	2590-10606	2590-10607	2590-10608	2580-10509	2580-10300	2580-10350	2580-08356	2580-10395
4 1/8" 3 jaw knurled ring, model 46 (Pratt)				No spares available.		Do not confuse this with the 4" Burnerd model 46 above.						
5" 58 (Pratt)	3 jaw Iron	Recess	Obsolete	Obsolete	Obsolete	Obsolete	Obsolete	Obsolete	Obsolete	Obsolete	Obsolete	Obsolete
5" 58 (Burnerd)	3 jaw Iron	Recess	2210-13603	2210-13602	2210-13606	2210-13607	8210-13608	2210-13509	2580-14300	2580-14350	2580-14356	2580-10395
5" 78 (Burnerd)	3 jaw St.	Recess	2210-13603	2210-13602	2210-13606	-	8210-13608	2210-13509	2580-14300	2580-14350	2580-14356	2580-10395
5" 79 (Burnerd)	4 jaw St.	Recess	2230-13603	2230-13602	2230-13606	2230-13607	2230-13608	2210-13509	2580-14300	2580-14350	2580-14356	2580-10395



Size / model Drawing no.	Type	Mount	Inside Jaws (3)	Outside Jaws (3)	Soft Jaws (3)	Base Jaws (3)	Hard Top Jaws (3)	Soft Top Jaw (ea)	Scroll	Pinion	Pinion Retainer	Key
-----------------------------	------	-------	--------------------	---------------------	------------------	------------------	----------------------	----------------------	--------	--------	--------------------	-----

**MISCELLANEOUS and OLD TYPE SCROLL CHUCKS**

continued

(Used in the main to identify old serial number records)

6" 58 (Pratt)	3 jaw Iron	Recess	Obsolete	Obsolete	Obsolete	Obsolete	Obsolete	Obsolete	Obsolete	Obsolete	Obsolete	Obsolete
6" 78 (Pratt)	3 jaw St.	Recess	Obsolete	Obsolete	Obsolete	Obsolete	Obsolete	Obsolete	Obsolete	Obsolete	Obsolete	Obsolete
6" 58 (Burnerd)	3 jaw Iron	Recess	2210-17603	2210-17602	2210-17606	2210-17607	8210-17608	2210-17509	2580-16300	2580-16350	2580-16356	2580-16395
6" 78 (Burnerd)	3 jaw St.	Recess	2210-17603	2210-17602	2210-17606	2210-17607	8210-17608	2210-17509	2580-16300	2580-16350	2580-16356	2580-16395
6" 79 (Burnerd)	4 jaw St.	Recess	2230-17603	2230-17602	2230-17606	2230-17607	2230-17608	2210-17509	2580-16300	2580-16350	2580-16356	2580-16395
7.5" 58 (Pratt)	3 jaw Iron	Recess	2210-20603	2210-20602	2210-20606	2210-20607	8210-20608	2210-20509	2780-19300	2780-19350	2780-19359	2980-17395
7.5" 78 (Pratt)	3 jaw St.	Recess	2210-20603	2210-20602	2210-20606	2210-20607	8210-20608	2210-20509	2780-19300	2780-19350	2780-19359	2980-17395
7.5" 58 (Burnerd)	3 jaw Iron	Recess	2580-19603	2580-19602	2580-19606	2580-19607	2580-19608	2580-19509	2580-19300	2580-19350	2580-16356	2980-17395
8" 58 (Burnerd)	3 jaw Iron	Recess	2580-19603	2580-19602	2580-19606	2580-19607	2580-19608	2580-19509	2580-21300	2580-21350	2580-16356	2980-26395
8.25" 78 (Pratt)	3 jaw St.	Recess	2780-23603	2780-23602	2780-23606	2780-23607	2980-19608	2780-22509	2780-22304	2980-26350	2780-19359	2980-26395
8.25" 3 jaw steel, drg. 4551	D1-5		2780-22603}	2780-22602}	2780-23606	2780-23607	2980-19608	2780-22509	2780-22304	2980-26350	2780-19359	2980-26395
			2780-23603}	2780-23602}					(obsolete)	(obsolete)		
9" 58 (Pratt)	3 jaw Iron	Recess	2780-23603	2780-23602	2780-23606	2780-23607	2780-23608	2780-23509	2780-23300	2780-23350	2780-23359	2580-38395
9" 78 (Pratt)	3 jaw St.	Recess	2780-23603	2780-23602	2780-23606	2780-23607	2780-23608	2780-23509	2780-23300	2780-23350	2780-23359	2580-38395
9" 58 (Burnerd)	3 jaw Iron	Recess	2580-23603	2580-23602	2580-23606	2580-23607	2580-23608	Obsolete	2580-23300	2580-23350	2580-16356	2580-38395
9" 3 jaw steel Langs FL2			2780-23603	2780-23602	2780-23606	2780-23607	2780-23608	2780-23509	2780-23300	2788-24952	2980-17355	2788-24953
10" 3 jaw st. (Pratt) 378D	Camlock		2780-23603	2780-23602	2780-23606	2780-23607	2780-23608	2780-23509	2780-23300	?	2980-17355	2788-24953
10" 3 jaw st. (Pratt) 378L	'L' type		2780-23603	2780-23602	2780-23606	2780-23607	2780-23608	2780-23509	2780-23300	?	2980-17355	2788-24953
10.5" 58 (Pratt)	3 jaw Iron	Recess	2210-25603	2210-25602	2210-25606	2210-25607	8210-25608	2210-25609	2780-27300	2780-27350	2780-23359	2580-38395
10.5" 78 (Pratt)	3 jaw St.	Recess	2210-25603	2210-25602	2210-25606	2210-25607	8210-25608	2210-25609	2780-27300	2780-27350	2780-23359	2580-38395
10.5" 58 (Burnerd)	3 jaw Iron	Recess	2580-27603	2580-27602	2580-27606	2580-27607	2580-27608	Obsolete	2580-27300	2580-27350	2580-27356	2580-38395
10.5" 3 jaw steel Langs FL2			2210-25603	2210-25602	2210-25606	2210-25607	8210-25608	2210-25509	2780-27300	2788-27952	2980-17355	2788-27953
10.5" 3 jaw steel Langs FL3			2210-25603	2210-25602	2210-25606	2210-25607	8210-25608	2210-25509	2780-27300	2788-27952	2980-17355	2788-27953
12" 58 (Pratt)	3 jaw Iron	Recess	2780-31603	2780-31602	2780-31606	2780-31607	8210-32608	2210-32509	2780-31300	2780-31350	2980-17355	2580-38395
12" 78 (Pratt)	3 jaw St.	Recess	2780-31603	2780-31602	2780-31606	2780-31607	8210-32608	2210-32509	2780-31300	2780-31350	2980-17355	2580-38395
12" 58 (Burnerd)	3 jaw Iron	Recess	2580-27603	2580-27602	2580-27606	2580-31607	2580-31608	Obsolete	2580-31300	2580-31350	2580-27356	2580-38395
12" 3 jaw Iron Drg. 7325/1 (Telle)			2780-31603	2780-31602	2780-31606	2780-31607	8210-32608	2210-32509	2780-31300	2780-31350	2980-17355	2580-38395
12" 4 jaw Iron Scr. Drg. 7947 (Telle)			2790-31603	2790-31602	2790-31606	2790-31607		2210-32509	2780-31300	2780-31350	2980-17355	2580-38395
15" 3 jaw Steel (Swifts) drg. 5383			2580-38603	2580-38602	2580-38606	2580-38607	8210-40608	2580-38509	2580-38300	2580-38350	2980-31355	2580-38395
15" 58 (Pratt)	3 jaw Iron	Recess	2580-38603	2580-38602	2580-38606	2580-38607	8210-40608	2580-38509	2580-38300	2580-38350	2980-31355	2580-38395
15" 78 (Pratt)	3 jaw St.	Recess	2580-38603	2580-38602	2580-38606	2580-38607	8210-40608	2580-38509	2580-38300	2580-38350	2980-31355	2580-38395
18" 58 (Pratt)	3 jaw Iron	Recess	2580-46603	2580-46602	2580-46606	2580-46607	2980-38608	2980-38509	2580-46300	2580-46350	2980-31355	2980-38395
18" 78 (Pratt)	3 jaw St.	Recess	2580-46603	2580-46602	2580-46606	2580-46607	2980-38608	2980-38509	2580-46300	2580-46350	2980-31355	2980-38395
21" 58 (Pratt)	3 jaw Iron	Recess	2580-46603	2580-46602	2580-46606	2580-46607	2980-38608	2980-38509	2580-43300	2580-53350	2980-31355	2980-38395
21" 78 (Pratt)	3 jaw St.	Recess	2580-46603	2580-46602	2580-46606	2580-46607	2980-38608	2980-38509	2580-43300	2580-53350	2980-31355	2980-38395
24" 58 (Pratt)	3 jaw Iron	Recess	2580-46603	2580-46602	2580-46606	2580-46607	2980-38608	2980-38509	2580-53300	2580-61350	2980-31355	2980-38395
24" 78 (Pratt)	3 jaw St.	Recess	2580-46603	2580-46602	2580-46606	2580-46607	2980-38608	2980-38509	2580-53300	2580-61350	2980-31355	2980-38395

**Note re mounting bolt variations:**

Recess mount chucks were allocated, for example, a cat. no of 1210-02005.

Digits 4 & 5 of this number are 0-0, indicating the chuck was adaptor recess mount and supplied with rear bolts only.

Many chucks, however, manufactured during the 1960's, 1970's & 1980's were supplied to the customer with variations of mounting bolts and hence different chuck catalogue numbers were used:

**1210-02005 Chuck supplied with rear bolts only.**

**1210-12005 Chuck supplied with unc through bolts only.**

**1210-92005 Chuck supplied with metric through bolts only.**

In all the above examples the chucks are identical, and spares for each chuck are the same. This applies to all recess mount chucks.



Chuck no.	Size	Jaws fitted	Adjusting Button	Setrite adjusting Screw	Base Jaws (set)	Hard Top Jaws (set)	Soft Top Jaw (ea)	Scroll	Pinion *	Pinion Retainer	Key
<b>Original</b>											
1219-00360	6" 3 jaw	Base & Hard top	2219-00364	CP0.375UNF1.000	2210-17607	8210-17608	2210-17509	2210-17300	2210-17350	2210-13356	2210-17395
1219-00365	6" 6 jaw	Base & Hard top	2219-00364	CP0.375UNF1.000	2260-17607	8260-17608	2210-17509	2210-17300	2210-17350	2210-13356	2210-17395
1219-00370	8" 3 jaw	Base & Hard top	2219-00364	CP0.375UNF1.000	2210-20607	8210-20608	2210-20509	2210-20300	2219-00372	2310-20356	2218-20208
1219-00375	8" 6 jaw	Base & Hard top	2219-00364	CP0.375UNF1.000	2260-20607	8260-20608	2210-20509	2210-20300	2219-00372	2310-20356	2218-20208
1219-00380	10" 3 jaw	Base & Hard top	2219-00383	CP0.375UNF1.000	2210-25607	8210-25608	2210-25509	2219-00381	2210-25350	2310-20356	2218-25208
1219-00385	10" 6 jaw	Base & Hard top	2219-00383	CP0.375UNF1.000	2260-25607	8260-25608	2210-25509	2219-00381	2210-25350	2310-20356	2218-25208
1219-00390	12" 3 jaw	Base & Hard top	2219-00383	CP0.500UNF1.000	2210-32607	8210-32608	2210-32509	2210-32300	2210-32350	2310-20356	2218-32208
1219-00395	12" 6 jaw	Base & Hard top	2219-00383	CP0.500UNF1.000	2260-32607	8260-32608	2210-32509	2210-32300	2210-32350	2310-20356	2218-32208
1219-00400	15" 3 jaw	Base & Hard top	2219-00383	CP0.625UNF1.000	2219-00404	2980-38608	2980-38509	2219-00403	2380-38350	2310-20356	2980-38395
1219-00405	15" 6 jaw	Base & Hard top	2219-00383	CP0.625UNF1.000	2219-00407	2260-38608	2980-38509	2219-00403	2380-38350	2310-20356	2980-38395

**1993 ? Non-PBI spares (†) for Setrite chucks manufactured from 1993 to 1999 not available from Feb. 2001.**

9219-00360	6" 3 jaw	Base & Hard top	2219-00364	CP0.375UNF1.000	8219-00362 †	8210-17608	2210-17509	8219-00363 †	2210-17350	2210-13356	2210-17395
9219-00365	6" 6 jaw	Base & Hard top	2219-00364	CP0.375UNF1.000	8219-00366 †	8260-17608	2210-17509	8219-00363 †	2210-17350	2210-13356	2210-17395
9219-00370	8" 3 jaw	Base & Hard top	2219-00364	CP0.375UNF1.000	8219-00372 †	8210-20608	2210-20509	8219-00373 †	2219-00372	2310-20356	2218-20208
9219-00375	8" 6 jaw	Base & Hard top	2219-00364	CP0.375UNF1.000	8219-00376 †	8260-20608	2210-20509	8219-00373 †	2219-00372	2310-20356	2218-20208
9219-00380	10" 3 jaw	Base & Hard top	2219-00383	CP0.500UNF1.000	8219-00382 †	8210-25608	2210-25509	8219-00383 †	2210-25350	2310-20356	2218-25208
9219-00385	10" 6 jaw	Base & Hard top	2219-00383	CP0.500UNF1.000	8219-00386 †	8260-25608	2210-25509	8219-00383 †	2210-25350	2310-20356	2218-25208
9219-00390	12" 3 jaw	Base & Hard top	2219-00383	CP0.500UNF1.000	8219-00392 †	8210-32608	2210-32509	8219-00393 †	2210-32350	2310-20356	2218-32208
9219-00395	12" 6 jaw	Base & Hard top	2219-00383	CP0.500UNF1.000	8219-00396 †	8260-32608	2210-32509	8219-00393 †	2210-32350	2310-20356	2218-32208
9219-00400	15" 3 jaw	Base & Hard top	2219-00383	CP0.625UNF1.000	8219-00402 †	2980-38608	2980-38509	8219-00403 †	2219-00412 †	2310-20356	2980-38395
9219-00405	15" 6 jaw	Base & Hard top	2219-00383	CP0.625UNF1.000	8219-00406 †	2260-38608	2980-38509	8219-00403 †	2219-00412 †	2310-20356	2980-38395
9789-00040	18" 6 jaw	Base & Hard top			7789-46001 †	2980-38608	2980-38509	2580-46300	2580-46350	2980-31355	2980-38395

**JAN 2000 (PBI) TWO-PIECE JAW MODELS:**

9219-01360	6" 3 jaw	Base & Hard top	2219-00364	CP0.375UNF1.000	8210-17607	8210-17608	2210-17509	8210-17330G	2210-17350	2210-13356	2210-17395
9219-01365	6" 6 jaw	Base & Hard top	2219-00364	CP0.375UNF1.000	8260-17607	8260-17608	2210-17509	8210-17330G	2210-17350	2210-13356	2210-17395
9219-01370	8" 3 jaw	Base & Hard top	2219-00364	CP0.375UNF1.000	8210-20607	8210-20608	2210-20509	8210-20330G	2219-00372	2310-20356	2218-20208
9219-01375	8" 6 jaw	Base & Hard top	2219-00364	CP0.375UNF1.000	8260-20607	8260-20608	2210-20509	8210-20330G	2219-00372	2310-20356	2218-20208
9219-01380	10" 3 jaw	Base & Hard top	2219-00383	CP0.375UNF1.000	8210-25607	8210-25608	2210-25509	8219-01382G	2210-25350	2310-20356	2218-25208
9219-01385	10" 6 jaw	Base & Hard top	2219-00383	CP0.375UNF1.000	8260-25607	8260-25608	2210-25509	8219-01382G	2210-25350	2310-20356	2218-25208
9219-01390	12" 3 jaw	Base & Hard top	2219-00383	CP0.375UNF1.000	8210-32607	8210-32608	2210-32509	8210-32330G	2210-32350	2310-20356	2218-32208
9219-01395	12" 6 jaw	Base & Hard top	2219-00383	CP0.375UNF1.000	8260-32607	8260-32608	2210-32509	8210-32330G	2210-32350	2310-20356	2218-32208
9219-01400	16" 3 jaw	Base & Hard top	2219-00383	CP0.625UNF1.000	8210-40607	8210-40608	2580-38509	8219-01403G	8270-40350	2310-20356	8271-40395
9219-01405	16" 6 jaw	Base & Hard top	2219-00383	CP0.625UNF1.000	8260-40607	8260-40608	2980-38509	8219-01403G	8270-40350	2310-20356	8271-40395

**JAN 2000 (PBI) STANDARD MODELS WITH INSIDE & OUTSIDE JAWS:**

Chuck no.	Size	Jaws fitted	Adjusting Button	Setrite adjusting Screw	Inside Jaws (set)	Outside Jaws (set)	Soft Jaws (set)	Scroll	Pinion *(1 / chuck)	Pinion Retainer	Key
9219-01351	5" 3 jaw	Inside & Outside	N/R	DG0.375UNF0.750	8210-13603	8210-13602	8210-13606	8210-13330G	2210-12350	2210-13356	2210-13395
9219-01356	5" 6 jaw	Inside & Outside	N/R	DG0.375UNF0.750	8260-13603	8260-13602	8260-13606	8210-13330G	2210-12350	2210-13356	2210-13395
9219-01361	6" 3 jaw	Inside & Outside	2219-00364	CP0.375UNF1.000				8210-17330G	2210-17350	2210-13356	2210-17395
9219-01366	6" 6 jaw	Inside & Outside	2219-00364	CP0.375UNF1.000				8210-17330G	2210-17350	2210-13356	2210-17395
9219-01371	8" 3 jaw	Inside & Outside	2219-00364	CP0.375UNF1.000				8210-20330G	2219-00372	2310-20356	2218-20208
9219-01376	8" 6 jaw	Inside & Outside	2219-00364	CP0.375UNF1.000				8210-20330G	2219-00372	2310-20356	2218-20208
9219-01381	10" 3 jaw	Inside & Outside	2219-00383	CP0.375UNF1.000	8210-25603	8210-25602	8210-25606	8219-01382G	2210-25350	2310-20356	2218-25208
9219-01386	10" 6 jaw	Inside & Outside	2219-00383	CP0.375UNF1.000	8260-25603	8260-25602	8260-25606	8219-01382G	2210-25350	2310-20356	2218-25208
9219-01391	12" 3 jaw	Inside & Outside	2219-00383	CP0.375UNF1.000	8210-32603	8210-32602	8210-32606	8210-32330G	2210-32350	2310-20356	2218-32208
9219-01396	12" 6 jaw	Inside & Outside	2219-00383	CP0.375UNF1.000	8260-32603	8260-32602	8260-32606	8210-32330G	2210-32350	2310-20356	2218-32208

\* Setrite chucks, up to & including 12", are of single pinion design. All chucks are recess mount.



Chuck no/ Model no.	Size	Type	Mount	Base Jaws (set)	Hard Top Jaws (3)	Standard Soft Jaws	Tee Nut	Tee Nut Screw	Scroll	Pinion	Pinion Retainer	Key
1380-21721	6.5"	3 jaw (Post 1980)	BS 5.25"	2980-17610	2980-17611	2980-17512	2980-17590	CA0.313BSW0.750	2980-17300	2380-17350	2210-13356	2980-17395
1380-21921	7.5"	3 jaw (Post 1980)	BS 5.25"	2980-19610	2980-19611	2980-19512	2980-19590	CA0.375BSW1.000	2980-19300	2380-19350	2210-13356	2980-17395
1380-32421	9.5"	3 jaw (Post 1980)	BS 7.5"	2980-24610	2980-24611	2980-24512	2980-24590	CA0.438BSW1.000	2980-24300	2380-24350	2310-20356	2580-38395
1380-33121	12"	3 jaw (Post 1980)	BS 7.5"	2980-31610	2980-31611	2980-31512	2980-31590	CA0.500BSW1.250	2980-31300	2380-31350	2310-20356	2580-38395
1380-43821	15"	3 jaw (Post 1980)	BS 10"	2980-38610	2980-38611	2980-38512	2980-38590	CA0.625BSW1.250	2980-38300	2380-38350	2310-20356	2980-38395
1380-44621	18"	3 jaw (Post 1980)	BS 10"	2980-46610	2980-46611	2980-46512	2980-46590	CA0.750BSW1.500	2980-46300	2380-46350	2310-20356	2980-38395
1380-45321	21"	3 jaw (Post 1980)	BS 10"	2980-53610	2980-53611	2980-53512	2980-53590	CA0.750BSW1.750	2980-53300	2380-46350	2310-20356	2980-38395
1380-55321	21"	3 jaw (Post 1980)	BS 13"	2980-53610	2980-53611	2980-53512	2980-53590	CA0.750BSW1.750	2980-53300	2380-46350	2310-20356	2980-38395
1380-56321	25"	3 jaw (Post 1980)	BS 13"	2980-63610	2980-63611	2980-63512	2980-63590	CA0.750BSW2.000	2980-63300	2380-63350	2310-20356	2980-63395
1380-64621	18"	3 jaw (Post 1980)	BS 14.25"	2980-46610	2980-46611	2980-46512	2980-46590	CA0.750BSW1.500	2980-46300	2380-46350	2310-20356	2980-38395
1380-65321	21"	3 jaw (Post 1980)	BS 14.25"	2980-53610	2980-53611	2980-53512	2980-53590	CA0.750BSW1.750	2980-53300	2380-46350	2310-20356	2980-38395
1380-66321	25"	3 jaw (Post 1980)	BS 14.25"	2980-63610	2980-63611	2980-63512	2980-63590	CA0.750BSW2.000	2980-63300	2380-63350	2310-20356	2980-63395
1380-76321	25"	3 jaw (Post 1980)	BS 16"	2980-63610	2980-63611	2980-63512	2980-63590	CA0.750BSW2.000	2980-63300	2380-63350	2310-20356	2980-63395
1380-77321	29"	3 jaw (Post 1980)		2980-73610	2980-73611	2980-63512	2980-63590	CA0.750BSW2.000	2980-73300	2380-73350	2310-20356	2980-63395
1387-17000	6.5"	Spares as 1380-21721. Tee slots in face.										
1387-24000	9.5"	Spares as 1380-32421. (for Ryder machine)										
1387-24010	9.5"	Spares as 1380-32421. (for Ryder machine)										
1387-24020	9.5"	No record of original chuck. Special scroll & cross tenon base jaws.										
1387-24030	9.5"	Spares as 1380-32421. Additional holes.										
1387-24040	9.5"	No record of original chuck. Ryder type base jaws.										
1387-31000	12"	Spares as 1380-33121. Additional holes.										
1387-31005	12"	Spares as 1380-33121. Additional holes.										
1387-31010	12"	Spares as 1380-33121. Additional holes.										
1387-31015	12"	Spares as 1380-33121. Additional holes. Cross tenon base jaws fitted.										
1387-31020	12"	Spares as 1380-33121. Additional holes. A2-8 mount.										
1387-31025	12"	Spares as 1380-33121. Bore 105mm. DIN 11 mount.										
1387-31030	12"	Spares generally as 1380-33121. Sealed bore. Special base jaws, body, cover plate.										
1387-38000	15"	Spares generally as 1380-43821. 5.25" bore. 2988-38974										
1387-38010	15"	Spares generally as 1380-43821. 5 9/16" bore. Base jaws 2980-38607. 2988-38974										
1387-38020	15"	Spares generally as 1380-43821. Ground scroll. Spec.hard top 2387-38022. 2980-38000										
1387-38030	15"	Spares as 1380-43821. 5" bore.										
1387-38040	15"	Spares as 1380-43821. 2387-38043 Special cross tenon base jaws.										
1387-38050	15"	Spares as 1380-43821. Bore 130mm.										
1387-38060	15"	Spares as 1380-43821. Bore 5". Additional holes.										
1387-38070	15"	Spares as 1380-43821. Additional holes.										
1387-38080	15"	Spares as 1380-43821. Additional holes.										
1387-38090	15"	Spares as 1380-43821. Bore 5.25". Additional holes.										
1387-46000	18"	Spares as 1380-44621. Steel body. A2-11 mount.										
1387-46010	18"	Spares as 1380-44621. Bore 153mm.										
1387-46020	18"	Spares as 1380-44621. A2-11 mount. Additional holes.										
1387-46030	18"	Spares as 1380-44621. A2-11 mount. Additional holes.										
1387-46040	18"	Spares as 1380-44621. 7389-46000 Cross-tenon base jaws.										
1387-46050	18"	Spares as 1380-44621. A2-11. 2387-46053 Cross-tenon base jaws.										
1387-46060	18"	Spares as 1380-44621. Additional holes. A2-11 mount.										
1387-46070	18"	Spares as 1380-44621. Special mount.										
1387-46080	18"	Spares generally as 1380-44621. D1-11 mount. Special cross-tenon base jaws.										
1387-53000	21"	Spares as 1380-65321. A1-15 mount. Bore 190mm.										
1387-53010	21"	Spares as 1380-65321. Bore 6 11/16".										



Chuck no./ Model no.	Size	Type	Mount	Base Jaws (set)	Hard Top Jaws (3)	Standard Soft Jaws	Tee Nut	Tee Nut Screw	Scroll	Pinion	Pinion Retainer	Key
1387-53020	21"	Spares as 1380-65321. Additional holes.										
1387-53030	21"	Spares as 1380-65321. Additional holes. A2-15 mount.										
1387-53040	21"	Spares as 1380-65321. Additional holes. BS 14.25" mount.										
1387-53050	21"	Spares as 1380-65321. BS 14.25" mount.										
1387-61000	24"	Modified 1389-02480. A2-20 mount.										
1387-61010	24"	Modified 1389-02490. 13" recess.										
1387-61020	24"	Modified 1389-02490. A2-15 mount. Has standard 25" tudor base & hard top jaws.										
1387-61030	24"	Modified 1387-61020. A2-20 mount.										
1387-63000	25"	Spares as 1380-56321. Steel body. A2-11 mount.										
1387-63010	25"	Spares as 1380-76321. Bore 9.5". Additional holes.										
1387-63020	25"	Spares as 1380-76321. 2387-63022 Special base jaws. Special scroll. 2987-63042										
1387-63030	25"	Spares as 1380-76321. Bore 10.5"										
1387-63040	25"	Based on material list A19109. Bore 6 11/16".										
1387-63050	25"	Based on 1387-63010. Special mount. Additional holes.										
1387-63060	25"	Based on 1384-66321. Spares as 1380-76321.										
1387-63070	25"	Based on 1387-63020. B1-20 mount. Spares as 1380-76321.										
1387-63080	25"	Based on 1387-63010. A2-20 mount. Spares as 1380-76321.										
1387-63090	25"	5 15/32" bore.	BS 14.25"	2980-63610	2980-63611	2980-63512	2980-63590		2980-63300	2380-63350	2310-20356	2980-63395
1387-66000	26"	Based on A19123 (1389-02510) A2-20 mount.										
1387-73000	29"	Spares as 1380-77321. A2-15 mount.										
1387-73010	29"	Spares as 1380-77321. Bore 10.5".										
1387-73020	29"	Spares as 1380-77321. Tee slots in face.										
1387-73030	29"	Based on 1389-02730. A2-20 mount.										
1387-19000	7.5"	Spares as 1390-21922. A2-6 mount.										
1390-21722	6.5"	2 jaw (Post 1980)	BS 5.25"	2990-17610	-	2980-17512	2980-17590	CA0.313BSW0.750	2980-17300	2380-17350	2210-13356	2980-17395
1390-21922	7.5"	2 jaw (Post 1980)	BS 5.25"	2990-19610	-	2980-19512	2980-19590	CA0.375BSW1.000	2980-19300	2380-19350	2210-13356	2980-17395
1390-32422	9.5"	2 jaw (Post 1980)	BS 7.5"	2990-24610	-	2980-24512	2980-24590	CA0.438BSW1.000	2980-24300	2380-24350	2310-20356	2580-38395
1390-33122	12"	2 jaw (Post 1980)	BS 7.5"	2990-31610	-	2980-31512	2980-31590	CA0.500BSW1.250	2980-31300	2380-31350	2310-20356	2580-38395
1390-43822	15"	2 jaw (Post 1980)	BS 10"	2990-38610	-	2980-38512	2980-38590	CA0.625BSW1.250	2980-38300	2380-38350	2310-20356	2980-38395
1390-44622	18"	2 jaw (Post 1980)	BS 10"	2990-46610	-	2980-46512	2980-46590	CA0.750BSW1.500	2980-46300	2380-46350	2310-20356	2980-38395
1390-45322	21"	2 jaw (Post 1980)	BS 10"	2990-53610	-	2980-53512	2980-53590	CA0.750BSW1.750	2980-53300	2380-46350	2310-20356	2980-38395
1390-56322	25"	2 jaw (Post 1980)	BS 13"	2990-63610	-	2980-63512	2980-63590	CA0.750BSW2.000	2980-63300	2380-63350	2310-20356	2980-63395
1390-77322	29"	2 jaw (Post 1980)		2990-73610	-	2980-63512	2980-63590	CA0.750BSW2.000	2980-73300	2380-73350	2310-20356	2980-63395
1397-31000	12"	Spares as 1390-33122. Additional holes.										
1397-38000	15"	Spares as 1390-43822. Bore 5 1/16".										
1980-21721}	6.5"	3 jaw (Pre 1966)	BS 5.25"	2980-17610	2980-17611	2980-17512	2980-17590	CA0.313BSW0.750	2980-17300	2980-17350	2980-17355	2980-17395
1980-21721}		3 jaw (Post 1966)	BS 5.25"	2980-17610	2980-17611	2980-17512	2980-17590	CA0.313BSW0.750	2980-17300	2980-17351	2980-17348	2980-17395
1980-21921}	7.5"	3 jaw (Pre 1966)	BS 5.25"	2980-19610	2980-19611	2980-19512	2980-19590	CA0.375BSW1.000	2980-19300	2980-19350	2980-17355	2980-17395
1980-21921}		3 jaw (Post 1966)	BS 5.25"	2980-19610	2980-19611	2980-19512	2980-19590	CA0.375BSW1.000	2980-19300	2980-19351	2980-17348	2980-17395
1980-32421}	9.5"	3 jaw (Pre 1963)	BS 7.5"	2980-24610	2980-24611	2980-24512	2980-24590	CA0.438BSW1.000	2980-24300	2980-24350	2980-17355	2580-38395
1980-32421}		3 jaw (Post 1963)	BS 7.5"	2980-24610	2980-24611	2980-24512	2980-24590	CA0.438BSW1.000	2980-24300	2980-24351	2980-24348	2580-38395
1980-33121}	12"	3 jaw (Pre 1964)	BS 7.5"	2980-31610	2980-31611	2980-31512	2980-31590	CA0.500BSW1.250	2980-31300	2980-31350	2980-31355	2580-38395
1980-33121}		3 jaw (Post 1964)	BS 7.5"	2980-31610	2980-31611	2980-31512	2980-31590	CA0.500BSW1.250	2980-31300	2980-31351	2980-24348	2580-38395
1980-43821}	15"	3 jaw (Pre 1966)	BS 10"	2980-38610	2980-38611	2980-38512	2980-38590	CA0.625BSW1.250	2980-38300	2980-38350	2980-31355	2980-38395
1980-43821}		3 jaw (Post 1966)	BS 10"	2980-38610	2980-38611	2980-38512	2980-38590	CA0.625BSW1.250	2980-38300	2980-38351	2980-38348	2980-38395
1980-44621}	18"	3 jaw (Pre 1966)	BS 10"	2980-46610	2980-46611	2980-46512	2980-46590	CA0.750BSW1.500	2980-46300	2980-46350	2980-46355	2980-38395
1980-44621}		3 jaw (Post 1966)	BS 10"	2980-46610	2980-46611	2980-46512	2980-46590	CA0.750BSW1.500	2980-46300	2980-46351	2980-38348	2980-38395
1980-45321}	21"	3 jaw (Pre 1966)	BS 10"	2980-53610	2980-53611	2980-53512	2980-53590	CA0.750BSW1.750	2980-53300	2980-46350	2980-46355	2980-38395
1980-45321}		3 jaw (Post 1966)		2980-53610	2980-53611	2980-53512	2980-53590	CA0.750BSW1.750	2980-53300	2980-46351	2980-38348	2980-38395



Chuck no/ Model no.	Size	Type	Mount	Base Jaws (set)	Hard Top Jaws (3)	Standard Soft Jaws	Tee Nut	Tee Nut Screw	Scroll	Pinion	Pinion Retainer	Key	
1980-55321}	21"	3 jaw (Pre 1966)	BS 13"	2980-53610	2980-53611	2980-53512	2980-53590	CA0.750BSW1.750	2980-53300	2980-46350	2980-46355	2980-38395	
1980-55321}		3 jaw (Post 1966)		2980-53610	2980-53611	2980-53512	2980-53590	CA0.750BSW1.750	2980-53300	2980-46351	2980-38348	2980-38395	
1980-56321}	25"	3 jaw (Pre 1966)	BS 13"	2980-63610	2980-63611	2980-63512	2980-63590	CA0.750BSW2.000	2980-63300	2980-63350	2980-63348	2980-63395	
1980-56321}		3 jaw (Post 1966)		2980-63610	2980-63611	2980-63512	2980-63590	CA0.750BSW2.000	2980-63300	2980-63351	2980-46355	2980-63395	
1980-64621}	18"	3 jaw (Pre 1966)	BS 10"	2980-46610	2980-46611	2980-46512	2980-46590	CA0.750BSW1.500	2980-46300	2980-46350	2980-46355	2980-38395	
1980-64621}		3 jaw (Post 1966)		2980-46610	2980-46611	2980-46512	2980-46590	CA0.750BSW1.500	2980-46300	2980-46351	2980-38348	2980-38395	
1980-65321}	21"	3 jaw (Pre 1966)	BS 14.25"	2980-53610	2980-53611	2980-53512	2980-53590	CA0.750BSW1.750	2980-53300	2980-46350	2980-46355	2980-38395	
1980-65321}		3 jaw (Post 1966)		2980-53610	2980-53611	2980-53512	2980-53590	CA0.750BSW1.750	2980-53300	2980-46351	2980-38348	2980-38395	
1980-66321}	25"	3 jaw (Pre 1966)	BS 14.25"	2980-63610	2980-63611	2980-63512	2980-63590	CA0.750BSW2.000	2980-63300	2980-63350	2980-63348	2980-63395	
1980-66321}		3 jaw (Post 1966)		2980-63610	2980-63611	2980-63512	2980-63590	CA0.750BSW2.000	2980-63300	2980-63351	2980-46355	2980-63395	
1980-76321}	25"	3 jaw (Pre 1966)	BS 16"	2980-63610	2980-63611	2980-63512	2980-63590	CA0.750BSW2.000	2980-63300	2980-63350	2980-63348	2980-63395	
1980-76321}		3 jaw (Post 1966)		2980-63610	2980-63611	2980-63512	2980-63590	CA0.750BSW2.000	2980-63300	2980-63351	2980-46355	2980-63395	
1980-77321}	29"	3 jaw (Pre 1966)	BS 16"	2980-73610	2980-73611	2980-63512	2980-63590	CA0.750BSW2.000	2980-73300	2980-73350	2980-73355	2980-63395	
1980-77321}		3 jaw (Post 1966)		2980-73610	2980-73611	2980-63512	2980-63590	CA0.750BSW2.000	2980-73300	2980-73351	2980-63348	2980-63395	
1987-17000	6.5"	Spares as 1980-21721 (post 1966). Long key.										2987-17015	
1987-17010	6.5"	Spares as 1980-21721 (post 1966). DIN 55021-5B mount.											
1987-17015	6.5"	Spares as 1980-21721 (post 1966). Long key.										2987-17015	
1987-19000	7.5"	Spares as 1980-21921 (post 1966). Tee slots & D1-4 mount.											
1987-19010	7.5"	Spares as 1980-21721 (post 1966). Additional holes.											
1987-19020	7.5"	Spares as 1980-21721 (post 1966). Additional holes. A1-6 mount.											
1987-19030	7.5"	Spares as 1980-21921 (post 1966). Long key.										2987-17015	
1987-19040	7.5"	Spares as 1980-21921 (post 1966).			7989-19002	Special hard top jaws.							
1987-19050	7.5"	See material list B13935. American base jaws.											
1987-24000	9.5"	Spares as 1980-32421 (pre-1966 ?).											
1987-24010	9.5"	Spares as 1980-32421 (post 1966). Special hard top jaws.											
1987-24011	9.5"	Spares as 1980-32421 (post 1966).											
1987-24030	9.5"	Anti-clockwise scroll.		2987-24031	2980-24611	2980-24512	2980-24590		2987-24030	2980-24351	2980-24348	2580-38395	
1987-24040	9.5"	Spares as 1980-32421 (post 1966). Additional holes.											
1987-24050	9.5"	Spares as 1980-32421 (post 1966). Special top jaws.											
1987-24060	9.5"	Spares as 1980-32421 (post 1966). Long key.										2987-24060	
1987-24070	9.5"	Spares as 1980-32421 (post 1966). Special base. Additional holes.											
1987-24080	9.5"	Spares as 1980-32421 (post 1966) except pinions as 1988-24983.											
1987-24090	9.5"	Modified 1988-24981 (recess in face).											
1987-31000	12"	Spares as 1980-33121 (post 1966) except special scroll & hard top.								2987-31002			
1987-31010	12"	Spares as 1980-33121 (post 1966). Long key.										2987-31010/A	
1987-31020	12"	Spares as 1980-33121 (post 1966). Special base & hard top jaws.											
1987-31030	12"	Spares as 1980-33121 (post 1966). Mitchell 8" recess.											
1987-31040	12"	Spares as 1980-33121 (post 1966). Long key.										2987-31040	
1987-31050	12"	Spares as 1980-33121 (post 1966). A1-8 / DIN 55021-8 mount.											
1987-38000	15"	Spares as 1980-43821 (post 1966). A1-11 mount.											
1987-38010	15"	Spares as 1980-43821 except scroll (post 1966). 5.5" bore.								2988-38974			
1987-38020	15"	Spares as 1980-43821 except scroll (post 1966). 5.25" bore.								2988-38974			
1987-38030	15"	Spares as 1980-43821 (post 1966). 5.125" bore.											
1987-38040	15"	Spares as 1980-43821 (post 1966). Tee slots in face.											
1987-38050	15"	Spares as 1980-43821 (post 1966). 5.125" bore. Additional holes.											
1987-38060	15"	Spares as 1980-43821 (post 1966). Tee slots in face.											
1987-46000	18"	Spares as 1980-44621 (pre-1966 ?). 11.25" recess. Additional holes.											



Chuck no./ Model no.	Size	Type	Mount	Base Jaws (set)	Hard Top Jaws (3)	Standard Soft Jaws	Tee Nut	Tee Nut Screw	Scroll	Pinion	Pinion Retainer	Key	
1987-46010	18"	Spares as 1980-44621 (pre-1966 ?). Balanced.											
1987-46020	18"	Spares as 1980-44621 (post 1966). 6.125" bore. Additional holes.											
1987-46030	18"	Spares as 1980-44621 (post 1966). 6 5/32" bore. Additional holes.											
1987-46040	18"	Spares as 1980-44621 (post 1966). 11" recess.											
1987-46050	18"	Spares as 1980-44621 (post 1966). D1-11 mount. Special pinion.											
1987-46060	18"	Spares as 1980-44621 (post 1966). D1-11 mount.											
1987-46070	18"	Spares as 1980-44621 (post 1966). Tee slots in face.											
1987-46080	18"	Spares as 1980-44621 (post 1966). DIN 55022-8 mount.											
1987-46090	18"	Spares as 1980-44621 (post 1966). DIN 55022-8 mount.											
1987-46100	18"	Special base jaws.		7989-46004	Other spares as 1980-44621(post 1966)								
1987-46110	18"	Spares as 1980-44621 (post 1966). Long key.											
1987-46120	18"	Spares as 1980-44621 (post 1966). Bore 5.5"											
1987-46130	18"	Spares as 1980-44621 (pre-1966). (modified from circlip to pin retention).											
1987-46140	18"	Spares as 1980-44621 (post 1966). Recess 14.25". DIN 55021-11 mount.											
1987-46150	18"	Spares as 1980-44621 (post 1966). BS 13" mount. Additional holes.											
1987-46160	18"	Spares as 1980-44621 (post 1966). Bore 150mm.											
1987-53010	21"	Spares as 1980-45321 (post 1966). Bore 6.5".											
1987-53020	21"	Spares as 1980-45321 (post 1966). Bore 6 9/16".											
1987-53030	21"	Spares as 1980-45321 (post 1966). Bore 6 11/16".											
1987-53040	21"	Spares as 1980-65321 (post 1966). BS 13" mount.											
1987-63000	25"	Spares as 1980-66321 (post 1966) except scroll. Bore 10.5".											
1987-63010	25"	Spares as 1980-66321 (post 1966). Tee slots in face.											
1987-63020	25"	Spares as 1980-66321 (post 1966). Tee slots in face.											
1987-63030	25"	Spares as 1980-66321 (post 1966). Bore 10.25".											
1987-63040	25"	Spares as 1980-66321 (post 1966) except scroll. Bore 10.5".											
1987-63050	25"	Spares as 1980-66321 (post 1966). BS 13" mount.											
1987-63060	25"	Spares as 1980-66321 (post 1966). Bore 9.5". Additional holes.											
1987-63070	25"	Spares as 1980-66321 (post 1966). Bore 9.5". BS13" mount.											
1987-63080	25"	Spares as 1980-66321 (post 1966). Tee slots in face.											
1987-63090	25"	Spares as 1980-66321 (pre-1966). A2-15 mount. Bore 9.5".											
1987-63100	25"	Cross tenon base jaws.		2980-63607	2980-46608		2980-63590		2980-63300	2980-63351	2980-46355	2980-63395	
1987-73000	29"	Spares as 1980-77321 (post 1966). Body modified.											
1987-73010	29"	Spares as 1980-77321 (post 1966). Various mods. See material list B13791.											
1987-73020	29"	Spares as 1980-77321 (post 1966). 7989-73002 Special hard top jaws.											
1988-24980	9.5"	3 jaw Tudor(serr)	Flyder	2980-24610	2980-24611	2980-24512	2980-24590	Can use {	2988-24982	2980-24351			
1988-24981	9.5"	3 jaw Tudor(X/T)	Flyder	7989-24019				2980-24300 {	2988-24982	2980-24351			
1988-26990	10"	3 jaw Tudor	D1-6	2980-24610	2980-24611	2980-24512	2980-24590		2980-26305	2988-26994	2980-17356	2980-24591	
1988-31980	12"	3 jaw Tudor(serr)	Flyder	2980-31610	2980-31611	2980-31512	2980-31590		2980-31300	Obsolete	2980-31355	2580-38395	
1988-31981	12"	3 jaw Tudor(X/T)	Flyder	7989-31000					2980-31300	Obsolete			
1988-31990}	12"	3 jaw (Pre 1964)	D1-6	2980-31610	2980-31611	2980-31512	2980-31590	CA0.500BSW1.250	2980-31300	2980-31350	2980-31355	2580-38395	
1988-31990}	12"	3 jaw (Post 1964)	D1-6	2980-31610	2980-31611	2980-31512	2980-31590	CA0.500BSW1.250	2980-31300	2980-31351	2980-24348	2580-38395	
1988-37923	14.75"	3 jaw Tudor	Flyder	7989-38001			2980-38590		2980-38300	2988-37982	2980-31355		
1988-37980	14.75"	3 jaw Tudor(serr)	Flyder	7989-38000			2980-38590		2980-38300	2988-37982	2980-31355		
1988-37981	14.75"	3 jaw Tudor(X/T)	Flyder	7989-38001			2980-38590		2980-38300	2988-37982	2980-31355		
1988-37982	14.75"	3 jaw Tudor	Flyder	7989-38000			2980-38590		2980-38300	2988-37986	2980-31355		
1988-38990}	15"	3 jaw(Pre 1966)	D1-11	2980-38610	2980-38611	2980-38512	2980-38590	CA0.625BSW1.250	2980-38300	2980-38350	2980-31355	2980-38395	
1988-38990}	15"	3 jaw(Post 1966)	D1-11	2980-38610	2980-38611	2980-38512	2980-38590	CA0.625BSW1.250	2980-38300	2980-38351	2980-38348	2980-38395	
1988-38992	15"	3 jaw Tudor	D1-8	2980-38610	2980-38611	2980-38512	2980-38590	CA0.625BSW1.250	2980-38300	2988-38994			





Chuck no/ Model no.	Size	Type	Mount	Base Jaws (set)	Hard Top Jaws (3)	Standard Soft Jaws	Tee Nut	Tee Nut Screw	Scroll	Pinion	Pinion Retainer	Key	
1990-21722}	6.5"	2 jaw(Pre 1966)	BS 5.25"	2990-17610	-	2980-17512	2980-17590	CA0.313BSW0.750	2980-17300	2980-17350	2980-17355	2980-17395	
1990-21722}	6.5"	2 jaw(Post 1966)	BS 5.25"	2990-17610	-	2980-17512	2980-17590	CA0.313BSW0.750	2980-17300	2980-17351	2980-17348	2980-17395	
1990-21922}	7.5"	2 jaw(Pre 1966)	BS 5.25"	2990-19610	-	2980-19512	2980-19590	CA0.375BSW1.000	2980-19300	2980-19350	2980-17355	2980-17395	
1990-21922}	7.5"	2 jaw(Post 1966)	BS 5.25"	2990-19610	-	2980-19512	2980-19590	CA0.375BSW1.000	2980-19300	2980-19351	2980-17348	2980-17395	
1990-32422}	9.5"	2 jaw (Pre 1963)	BS 7.5"	2990-24610	-	2980-24512	2980-24590	CA0.438BSW1.000	2980-24300	2980-24350	2980-17355	2580-38395	
1990-32422}	9.5"	2 jaw(Post 1963)	BS 7.5"	2990-24610	-	2980-24512	2980-24590	CA0.438BSW1.000	2980-24300	2980-24351	2980-24348	2580-38395	
1990-33122}	12"	2 jaw(Pre 1964)	BS 7.5"	2990-31610	-	2980-31512	2980-31590	CA0.500BSW1.250	2980-31300	2980-31350	2980-31355	2580-38395	
1990-33122}	12"	2 jaw(Post 1964)	BS 7.5"	2990-31610	-	2980-31512	2980-31590	CA0.500BSW1.250	2980-31300	2980-31351	2980-24348	2580-38395	
1990-43822}	15"	2 jaw (Pre 1966)	BS 10"	2990-38610	-	2980-38512	2980-38590	CA0.625BSW1.250	2980-38300	2980-38350	2980-31355	2980-38395	
1990-43822}		2 jaw(Post 1966)		2990-38610	-	2980-38512	2980-38590	CA0.625BSW1.250	2980-38300	2980-38351	2980-37348	2980-38395	
1990-44622}	18"	2 jaw (Pre 1966)	BS 10"	2990-46610	-	2980-46512	2980-46590	CA0.750BSW1.500	2980-46300	2980-46350	2980-46355	2980-38395	
1990-44622}		2 jaw(Post 1966)		2990-46610	-	2980-46512	2980-46590	CA0.750BSW1.500	2980-46300	2980-46351	2980-38348	2980-38395	
1990-45322}	21"	2 jaw (Pre 1966)	BS 10"	2990-53610	-	2980-53512	2980-53590	CA0.750BSW1.750	2980-53300	2980-46350	2980-46355	2980-38395	
1990-45322}		2 jaw(Post 1966)		2990-53610	-	2980-53512	2980-53590	CA0.750BSW1.750	2980-53300	2980-46351	2980-38348	2980-38395	
1990-56322}	25"	2 jaw (Pre 1966)	BS 13"	2990-63610	-	2980-63512	2980-63590	CA0.750BSW2.000	2980-63300	2980-63350	2980-46355	2980-63395	
1990-56322}		2 jaw(Post 1966)		2990-63610	-	2980-63512	2980-63590	CA0.750BSW2.000	2980-63300	2980-63351	2980-63348	2980-63395	
1990-77322}	29"	2 jaw (Pre 1966)		2990-73610	-	2980-63512	2980-63590	CA0.750BSW2.000	2980-73300	2980-73350	2980-73355	2980-63395	
1990-77322}		2 jaw(Post 1966)		2990-73610	-	2980-63512	2980-63590	CA0.750BSW2.000	2980-73300	2980-73351	2980-63348	2980-63395	
1997-19000	7.5"	Spares generally as 1990-21922 (post 1966) except cross tenon base jaws 7999-19001.											
1997-19010	7.5"	Spares generally as 1990-21922 (post 1966) except cross tenon base jaws 7999-19001.											
1997-24000	9.5"	Spares as 1990-32422. Additional holes.											
1997-24010	9.5"	Everything special about this chuck except scroll & pinions (See 1990-32422).											
1997-24020	9.5"	Spares as 1990-32422 (post 1963) except base jaws 7999-24001.											
1997-24030	9.5"	Spares as 1990-32422 (post 1963) except base jaws 2990-24607.											
1997-24040	9.5"	See drg. B15147. Special base jaws & dust exclusion.											
1997-24050	9.5"	Spares as 1990-32422 (post 1963). additional holes.											
1997-31000	12"	Unable to determine source chuck.											
1997-31010	12"	See material list A15006. (manf. 1973).											
1997-31020	12"	Special base jaws.		7999-31002		Other parts as 1990-33122 (post 1964).							
1997-31030	12"	Cross tenon base jaws.		2990-31607		Additional holes. Other parts as 1990-33122 (post 1964).							
1997-31040	12"	Spares as 1990-33122 (post 1964). Special gripping top jaws.											
1997-38000	15"	Spares as 1990-43822 (post 1966). DIN 8 mount).											
1997-53000	21"	Spares as 1990-45322 (post 1966). Bore 7.25". Modified scroll.								2997-53002			
1997-63000	25"	Spares as 1990-56322 ? (post 1966). Special indexing top jaws.											
1998-17060}	6.5"	2 jaw Hardinge (threaded)		2980-17507		7989-17000			2980-17300	2980-17351	2980-17355	2980-17395	
1998-17060}						( Drive Pin 2008-16065)						2980-17395	
1998-17070	6.5"	2 jaw Hardinge (tapered)		2980-17507		7989-17000			2980-17300	2980-17351	2980-17355	2980-17395	
1998-24980	9.5"	2 jaw Ryder (Serrated base)		2990-24610	-	2980-24512	2980-24590		2980-24300	2980-24351			
1998-24981	9.5"	2 jaw Ryder (Ryder base)		7999-24000					2980-24300	2980-24351			
1998-31980	12"	2 jaw Ryder (Serrated base)		2990-31610	-	2980-31512	2980-31590		2980-31300	Obsolete	2980-31355	2580-38395	
2892R	9.5"	2 jaw Ryder (Ryder base)		7999-31610						2980-24351			
4747A	Tudor 'A' Type mount Size of chuck required to identify spares. Use chuck codes 1980- when known.												
4747D	Tudor 'D' Type mount Size of chuck required to identify spares. Use chuck codes 1980- when known.												
6-2 }	6.5"	2 jaw Hardinge (threaded)		2980-17507		7989-17000			2980-17300	2980-17351	2980-17355	2980-17395	
6-2 }						( Drive Pin 2008-16065)							
6-2D	6.5"	2 jaw Hardinge (tapered)		2980-17507		7989-17000			2980-17300	2980-17351	2980-17355	2980-17395	
9380-01721	160mm	3 jaw Tudor	Adaptor	8380-17610	2980-17611	2980-17512	8380-17590	CAM8X20	2210-17300	2210-17350	2210-13356	2210-17395	
9380-02021	200mm	3 jaw Tudor	Adaptor	8380-20610	2980-19611	2980-19512	8380-20590	CAM10X25	2210-20300	2210-20350	2210-13356	2218-20208	



Chuck no./ Model no.	Size	Type	Mount	Base Jaws (set)	Hard Top Jaws (3)	Standard Soft Jaws	Tee Nut	Tee Nut Screw	Scroll	Pinion	Pinion Retainer	Key
9380-02521	250mm	3 jaw Tudor	Adaptor	8380-25610	2980-24611	2980-24512	8380-25590	CAM10X25	2210-25300	2210-25350	2310-20356	2218-25208
9380-03221	315mm	3 jaw Tudor	Adaptor	8380-31610	2980-31611	2980-31512	8380-32590	CAM12X30	2210-32300	2210-32350	2310-20356	2218-32208
9380-04021	400mm	3 jaw Tudor	Adaptor	2980-38610	2980-38611	2980-38512	8380-40590	CAM16X30	8270-40300	8270-40350	2310-20356	8271-40395
9380-04621	460mm	3 jaw Tudor	Adaptor	2980-46610	2980-46611	2980-46612	2980-46590		2980-46300	2380-46350	2310-20356	2980-38395
9380-05321	535mm	3 jaw Tudor	Adaptor	2980-53610	2980-53611	2980-53612	2980-53590		2980-53300	2380-46350	2310-20356	2980-38395
9380-06321	635mm	3 jaw Tudor	Adaptor									
9380-07321	735mm	3 jaw Tudor	Adaptor	2980-73610	2980-73611	2980-63612	2980-63590		2980-73300	2380-73350	2310-20356	2980-63395
9380-21721	160mm	3 jaw Tudor	BS 5.25"	8380-17610	2980-17611	2980-17512	8380-17590	CAM8X20	2210-17300	2210-17350	2210-13356	2210-17395
9380-22021	200mm	3 jaw Tudor	BS 5.25"	8380-20610	2980-19611	2980-19512	8380-20590	CAM10X25	2210-20300	2210-20350	2210-13356	2218-20208
9380-32521	250mm	3 jaw Tudor	BS 7.5"	8380-25610	2980-24611	2980-24512	8380-25590	CAM10X25	2210-25300	2210-25350	2310-20356	2218-25208
9380-33221	315mm	3 jaw Tudor	BS 7.5"	8380-31610	2980-31611	2980-31512	8380-32590	CAM12X30	2210-32300	2210-32350	2310-20356	2218-32208
9380-44021	400mm	3 jaw Tudor	BS 10"	2980-38610	2980-38611	2980-38512	8380-40590	CAM16X30	8270-40300	8270-40350	2310-20356	8271-40395
9380-44621	460mm	3 jaw Tudor	BS 10"	2980-46610	2980-46611	2980-46612	2980-46590		2980-46300	2380-46350	2310-20356	2980-38395
9380-65321	535mm	3 jaw Tudor	BS 14.25"	2980-53610	2980-53611	2980-53612	2980-53590		2980-53300	2380-46350	2310-20356	2980-38395
9380-66321	635mm	3 jaw Tudor	BS 14.25"									
9380-97321	735mm	3 jaw Tudor	BS 14.25"	2980-73610	2980-73611	2980-63612	2980-63590		2980-73300	2380-73350	2310-20356	2980-63395
9387-25000	250mm	Spares as 9380-02521. Bore 80mm. A2-6 mount.										
9387-32000	315mm	Spares as 9380-03221. DIN 6353 mount.										
9387-32010	315mm	Other spares as 9380-33221. 8380-31527 1/4" pitch serrated base jaws. D1-6 mount.										
9387-32020	315mm	Spares as 9380-03221. Stanley 6.75" mount.										
9387-32030	315mm	Base jaws 8387-32030 & 8387-32032. Tee nut 8387-32031. Other spares as 9380-03221.										
9387-32040	315mm	Spares as 9380-03221. BS 7.5" mount.										
9387-40000	400mm	Spares as 9380-44021. DIN 55022-11 mount.										
9387-40010	400mm	Spares as 9380-04021. Griptru back fitted.										
9387-40020	400mm	Spares as 9380-04021 except sealed pinions 8387-40020 fitted.										
9387-40030	400mm	Spares as 9380-04021. DSG 4BN backplate fitted.										
9387-40040	400mm	Spares as 9380-04021 except tee-nut. Extra holes. 2980-38590										
9387-46020	460mm	Spares as 9382-64621 (9380-04621). Bore 160mm.										



Chuck no/ Model no.	Size	Type	Mount	Base Jaws (set)	Hard Top Jaws (3)	Standard Soft Jaws	Tee Nut	Tee Nut Screw	Scroll	Pinion	Pinion Retainer	Key
9390-01722	160mm	2 jaw Tudor	Adaptor	8390-17610	-	2980-17512	8380-17590	CAM8X20	2210-17300	2210-17350	2210-13356	2210-17395
9390-02022	200mm	2 jaw Tudor	Adaptor	8390-19610	-	2980-19512	8380-20590	CAM10X25	2210-20300	2210-20350	2210-13356	2218-20208
9390-02522	250mm	2 jaw Tudor	Adaptor	8390-24610	-	2980-24512	8380-25590	CAM10X25	2210-25300	2210-25350	2310-20356	2218-25208
9390-03222	315mm	2 jaw Tudor	Adaptor	8390-31610	-	2980-31512	8380-32590	CAM12X30	2210-32300	2210-32350	2310-20356	2218-32208
9390-04022	400mm	2 jaw Tudor	Adaptor	2990-38610	-	2980-38512	8380-40590	CAM16X30	8270-40300	8270-40350	2310-20356	8271-40395
9390-21722	160mm	2 jaw Tudor	BS 5.25"	8390-17610	-	2980-17512	8380-17590	CAM8X20	2210-17300	2210-17350	2210-13356	2210-17395
9390-22022	200mm	2 jaw Tudor	BS 5.25"	8390-19610	-	2980-19512	8380-20590	CAM10X25	2210-20300	2210-20350	2210-13356	2218-20208
9390-32522	250mm	2 jaw Tudor	BS 7.5"	8390-24610	-	2980-24512	8380-25590	CAM10X25	2210-25300	2210-25350	2310-20356	2218-25208
9390-33222	315mm	2 jaw Tudor	BS 7.5"	8390-31610	-	2980-31512	8380-32590	CAM12X30	2210-32300	2210-32350	2310-20356	2218-32208
9390-44022	400mm	2 jaw Tudor	BS 10"	2990-38610	-	2980-38512	8380-40590	CAM16X30	8270-40300	8270-40350	2310-20356	8271-40395
9397-25000	250mm	Spares gen. as 9390-02522.		7999-24000	(Ryder base jaws)							

98 If, as was the standard during the 1960's, "TYPE 98" is stamped in the chuck disc, determine the size of the chuck and take the spares from catalogue nos. 1980- on previous pages.

## TUDOR CHUCKS

Pinion design changes - from pinion-pin retention to circlip retention - were implemented in the following years:

1963 - 9.5"      1964 - 12"      1966 - Other sizes.

In 1980 the design reverted to pinion-pin retention, but with a new type pinion ( code no. 2380- . . ) and plain pinion-pin (cat. nos. 2210- & 2310- ), circlips being superseded. The chuck code number was also changed from 1980- to 1380- .

The rationalized range ( code numbers 9380- ) was introduced in 1987 but discontinued (except for 18" and above) in 1992.

n.b. All pin-type pinions (2980- . . 350) and pinion retainers (2980- . . 355) were made obsolete in Nov.1988 although some stocks are still available.

Circlip type pinions (2980- . . 351) and circlips (2980- . . 348) were discontinued in May 1990. No stocks are now available.

Most spares for ALL Tudor ranges to 15" were discontinued in 1993/1994.

All Tudor serrated top jaws up to & including 15" were 90° x 1/16".

All Tudor serrated top jaws 18" and above were 90° x 3/32".

### Special note on BS 7.5" mounts :

While most of the above chucks were supplied with whitworth thread studs, the standard for this mount has now changed to UNC thread.

Records do not show when this change became effective.

This note applies to ALL chucks of this mount.

### 'COVENTRY' CHUCKS

To avoid confusion between Herbert 'Coventry' chucks and Pratt 'Tudor' chucks, the Coventry chucks have a preponderance of screw heads visible on the chuck face.

Except for top jaws, parts are not interchangeable.



Chuck no./ Model no.	Size	Type	Mount	Hard Jaws (4)	Screw	Bearing	Key	Soft Jaws (4)	Bearing Retainer	Notes
-------------------------	------	------	-------	------------------	-------	---------	-----	------------------	---------------------	-------

During the 1960's the design of independent jaws and screws (models 55 & 57, sizes to 16" only) was changed from square thread form to acme. While jaws to either design are no longer manufactured, most acme thread screws are still available. When checking chuck serial numbers, please be aware of the changeover dates:

6" 55	From serial no.	A27276	6.9.63	6" 57	From serial no.	A17990	4.4.63
8" 55	From serial no.	A16105	7.3.63	8" 57	From serial no.	A21751	30.5.63
10" 55	From serial no.	A15819	5.3.63	10" 57	From serial no.	A17697	2.4.63
12" 55	From serial no.	A23996	11.7.63	12" 57	From serial no.	A31901	28.11.63
14" 55	From serial no.	A13830	13.2.63	14" 57	From serial no.	A40259	9.4.64
16"	From serial no.	A21127	21.5.63	9" 1935	From serial no.	A57923	9.2.65 (no spares available)

Similarly, during the 1940's (mainly 1946-1949) the jaw section design on most independent chucks was changed.

The two types are not compatible and therefore special attention should also be paid to serial numbers in this period.

1350-21601	6"	4 jaw SD Steel.Ind.	BS 5.25"	2550-16601	2550-16365	2550-16370	2500-17395	2550-16606	-	) n.b. Acme thread parts-sq.th.obsolete.	
1350-22101	8"	4 jaw SD Steel.Ind.	BS 5.25"	2550-21601	2550-21365	2350-21370	2550-21395	2550-21606	-	) " "	
1350-32301	9"	4 jaw SD Steel.Ind.	BS 7.5"	2550-26601	2350-23365	2350-26370	2550-26395	2550-26606	-	) " "	
1350-32601	10"	4 jaw SD Steel.Ind.	BS 7.5"	2550-26601	2350-26365	2350-26370	2550-26395	2550-26606	-	) " "	
1350-33101	12"	4 jaw SD Steel.Ind.	BS 7.5"	2350-31601	2350-31365	2350-31370	2350-38395	2350-31606	-		
1350-43801	15"	4 jaw SD Steel.Ind.	BS 10"	2550-46601	2350-38365	2350-38370	2350-38395	2550-46606	-	6" - 10" 1935 chucks pre-1963	
1350-44001	16"	4 jaw SD Steel.Ind.	BS 10"	2350-40601	2350-40365	2550-61370	2550-92395	2350-40606	-	were manufactured with square	
1350-44601	18"	4 jaw SD Steel.Ind.	BS 10"	2350-40601	2350-46365	2350-46370	2550-92395	2350-40606	-	thread parts.	
1350-45101	20"	4 jaw SD Steel.Ind.	BS 10"		2350-51365	2350-51370					
1350-55101	20"	4 jaw SD Steel.Ind.	BS 13"	2350-51601	2350-51367	2350-51373	2550-92395	2350-51606	-		
1350-56101	24"	4 jaw SD Steel.Ind.	BS 13"	2350-51601	2350-61365	2350-61370	2550-92395	2350-51606	-		
1350-64601	18"	4 jaw SD Steel.Ind.	BS 14.25"	2350-40601	2350-46365	2350-46373	2550-92395	2350-40606	-		
1350-65601	22"	4 jaw SD Steel.Ind.	BS 14.25"	2350-56601	2350-56365	2350-56370	2550-92395	2350-56606	-		
1350-66101	24"	4 jaw SD Steel.Ind.	BS 14.25"	2350-51601	2350-61367	2350-61370	2550-92395	2350-51606	-		
1350-66301	25"	4 jaw SD Steel.Ind.	BS 14.25"	2350-56601	2350-63365	2350-56370	2550-92395	2350-56606	-		
1350-67101	28"	4 jaw SD Steel.Ind.	BS 14.25"	2350-66601	2350-71365	2350-66370	2550-92395	2350-66606	-		
1350-76101	24"	4 jaw SD Steel.Ind.	BS 16"	2350-51601	2350-61367	2350-61370	2550-92395	2350-51606	-		
1350-76601	26"	4 jaw SD Steel.Ind.	BS 16"	2350-66601	2350-66365	2350-66370	2550-92395	2350-66606	-		
1350-78101	32"	4 jaw SD Steel.Ind.	BS 14.25"	2350-81601	2350-81365	2350-81370	2350-81395	2350-81606	-		
1350-88101	32"	4 jaw SD Steel.Ind.	BS 16"	2350-81601	2350-81365	2350-81370	2350-81395	2350-81606	-		
1357-16000	6"	4 jaw SD Steel.Ind.	B2-3	2550-16601	2550-16365	2550-16370	2500-17395	2550-16606	-	1978	
1357-21000	8"	4 jaw SD Steel.Ind.	DIN 6	2550-21601	2550-21365	2350-21370	2550-21395	2550-21606	-	1973	
1357-21010	8"	4 jaw SD Steel.Ind.	A2-8	2550-21601	2550-21365	2350-21370	2550-21395	2550-21606	-	1973	
1357-26000	10"	Spares as 1350-32601 (1985) except base jaws 2550-26607; hard top jaws 2230-25608.								-	1985
1357-31000	12"	4 jaw SD Steel.Ind.		7359-31001	2350-31365	2350-31370	2350-38395	2350-31606	-	1969	
1357-31020	12"	4 jaw SD Steel.Ind.		2350-31601	2350-31365	2350-31370	2350-38395	2350-31606	-	1977 Special recess	
1357-31020	12"	4 jaw SD Steel.Ind.	A2-8 spec.	2350-31601	2350-31365	2350-31370	2350-38395	2350-31606	-	1982	
1357-31025	12"	Spares as 1350-33101 (1985) except base jaws 2350-31607; top jaws 2350-31608.								-	1985
1357-38000	15"	Spares as 1350-43801 (1969). Special jaws. Screw 2357-38001.								-	1969
1357-38010	15"	Spares as 1350-43801 (1970). A1-11 mount. Jaws 2357-38011.								-	1970
1357-38020	15"	Drg. B57H/15/362/1. Bearing 2357-38021.									
1357-38030	15"	4 jaw SD Steel.Ind.	D1-11	2550-46601	2350-38365	2350-38370	2350-38395	2550-46606	-	1978	
1357-38040	15"	4 jaw SD Steel.Ind.		2550-46601	2357-38040	2350-38370	2350-38395	2550-46606	-	1979	
1357-38050	15"	4 jaw SD Steel.Ind.	A2-11	2550-46601	2357-38040	2350-38370	2350-38395	2550-46606	-	1981	
1357-38060	15"	Spares as 1350-43801 (1985). Base jaws 2350-38607; hard top jaws 2970-38608.								-	1985
1357-40000	16"	4 jaw SD Steel.Ind.	A2-11	2350-40601	2350-40365	2550-61370	2550-92395	2350-40606	-		



Chuck no./ Model no.	Size	Type	Mount	Hard Jaws (4)	Screw	Bearing	Key	Soft Jaws (4)	Bearing Retainer	Notes	
1357-40010	16"	4 jaw SD Steel.Ind.		2350-40601	2350-40365	2550-61370	2357-40010	2350-40606		Long Key	
1357-46000	18"	4 jaw SD Steel.Ind.		2350-40601	2350-46365	2350-46370	2550-92395	2350-40606	-	Additional holes.	
1357-46010	18"	No details of source chuck. Drg. B5969. A1-8 mount.									
1357-46020	18"	4 jaw SD Steel.Ind.		2350-40601	2350-46365	2350-46370	2550-92395	2350-40606	-	Additional holes.	
1357-46030	18"	Spares as 1350-44601. Base jaws 2350-40607; hard top jaws 2350-40608.									
1357-46040	18"	Spares as 1350-44601. L2 mount. Cross tenon base jaws. D5418.									
1357-51000	20"	Source chuck A57H/20/250 (1350-45101 or 1350-55101). Bore 5.75".									
1357-56000	22"	See 1357-56010.									
1357-56010	22"	4 jaw SD Steel.Ind.		2350-56601	2350-56365	2350-56370	2550-92395	2350-56606	-	Additional holes.	
1357-56020	22"	4 jaw SD Steel.Ind.		2350-56601	2350-56365	2350-56370	2550-92395	2350-56606	-	Additional holes.	
1357-56030	22"	No details of source chuck. A1-11 mount. Drg. B5341.									
1357-56040	22"	No details of source chuck. A1-15 mount. Drg. A12787.									
1357-61000	24"	No details of source chuck. DIN 11 mount. Drg. A1820/F.									
1357-61010	24"	No details of source chuck. A1-15 mount. Drg. B5268.									
1357-61020	24"	4 jaw SD Steel.Ind.	DIN 11	2350-51601	2350-61365	2350-61370	2550-92395	2350-51606	-		
1357-61030	24"	4 jaw SD Steel.Ind.	DIN 8	2350-51601	2350-61365	2350-61370	2550-92395	2350-51606	-		
1357-61040	24"	4 jaw SD Steel.Ind.	DIN 8	2350-51601	2350-61365	2350-61370	2550-92395	2350-51606	-		
1357-61050	24"	No details of source chuck. All parts special. Drg. A18280.									
1357-61060	24"	No details of source chuck. All parts special. Drg. A18280/A.									
1357-61080	24"	4 jaw SD Steel.Ind.	D1-11	2350-51601	2350-61365	2350-61370	2550-92395	2350-51606	-		
1357-61090	24"	No details of source chuck. Drg. A1820.									
1357-61100	24"	4 jaw SD Steel.Ind.	DIN 8	2350-51601	2350-61365	2350-61370	2550-92395	2350-51606	-		
1357-61110	24"	No details of source chuck. All special parts. Drg. A1804. 10.5" bore. A2-15 mount.							Screws 2350-61365 shortened. Hard Top 2970-46608.		
1357-61120	24"	No details of source chuck. All special parts. Drg. A1804. 12.75" bore. A2-20 mount.									
1357-61125	24"	Spares as 1351-76101. Bore 10.5". Shortened screws.									
1357-61130	24"	No details of source chuck. All special parts. Drg. A1804. Cross tenon base jaws..									
1357-63000	25"	4 jaw SD Steel.Ind.		2350-56601	2350-63365	2350-56370	2550-92395	2350-56606	-	Additional holes.	
1357-63010	25"	No details of source chuck. Drg. A14322. A1-11 mount.									
1357-63020	25"	4 jaw SD Steel.Ind.		2350-56601	2357-63021	2350-56370	2550-92395	2350-56606	-	Bore 10.25"	
1357-63030	25"	No details of source chuck. Drg. 14322/B. A2-15 mount.									
1357-63040	25"	4 jaw SD Steel.Ind.		2350-56601	short	2350-56370	2550-92395	2350-56606	-	Bore 10.5"	
1357-63050	25"	4 jaw SD Steel.Ind.	A2-11	2350-56601	2350-63365	2350-56370	2550-92395	2350-56606	-		
1357-63060	25"	Spares as 1350-66301 except screw D18443-2; bearing 2550-61370. Mod. to bore & body thickness.									
1357-66000	26"	4 jaw SD Steel.Ind.		7359-66002	2350-66365	2350-66370	2550-92395	2350-66606	-		
1357-71000	28"	No details of source chuck. Drg. A8956. Bore 12.75". American base & hard top jaws.									
1357-71010	28"	Spares as 1357-71000. Bore 370mm. Screw 2357-71010.									
1357-81000	32"	No details of source chuck. Drg. A11864. A1-11 mount.									
1357-81010	32"	No details of source chuck. Drg. A11864. A1-11 mount. American base & hard top jaws.									
1357-81020	32"	No details of source chuck. Drg. A-57H/32/357/1 & drg. A19244. A2-20 mount.									
1500-01701	160mm	4 jaw Metric Ind.	Adaptor	2500-17601	2500-17365	2500-17370	2500-17395	2500-17606	2500-17369		
1500-02001	200mm	4 jaw Metric Ind.	Adaptor	2500-20601	2500-20365	2500-20370	2500-20395	2500-20606	2500-20369		
1500-02501	250mm	4 jaw Metric Ind.	Adaptor	2500-20601	2500-25365	2500-20370	2500-25395	2500-20606	2500-20369		
1500-03201	315mm	4 jaw Metric Ind.	Adaptor	2500-32601	2500-32365	2500-32370	2500-32395	2500-32606	2500-32369		
1501-22001	200mm	4 jaw Metric Ind.	A1-4	2500-20601	2500-20366	2500-20370	2500-20395	2500-20606	2500-20369		
1501-22501	250mm	4 jaw Metric Ind.	A1-4	2500-20601	2500-25365	2500-20370	2500-25395	2500-20606	2500-20369		
1501-32501	250mm	4 jaw Metric Ind.	A1-5	2500-20601	2500-25365	2500-20370	2500-25395	2500-20606	2500-20369		
1501-53201	315mm	4 jaw Metric Ind.	A1-8	2500-32601	2500-32365	2500-32370	2500-32395	2500-32606	2500-32369		
1502-22001	200mm	4 jaw Metric Ind.	D1-3	2500-20601	2500-20366	2500-20370	2500-20395	2500-20606	2500-20369		
1502-32001	200mm	4 jaw Metric Ind.	D1-4	2500-20601	2500-20366	2500-20370	2500-20395	2500-20606	2500-20369		



Chuck no./ Model no.	Size	Type	Mount	Hard Jaws (4)	Screw	Bearing	Key	Soft Jaws (4)	Bearing Retainer	Notes
1502-32501	250mm	4 jaw Metric Ind.	D1-4	2500-20601	2500-25365	2500-20370	2500-25395	2500-20606	2500-20369	
1502-52501	250mm	4 jaw Metric Ind.	D1-6	2500-20601	2500-25365	2500-20370	2500-25395	2500-20606	2500-20369	
1502-53201	315mm	4 jaw Metric Ind.	D1-6	2500-32601	2500-32365	2500-32370	2500-32395	2500-32606	2500-32369	
1502-63201	315mm	4 jaw Metric Ind.	D1-8	2500-32601	2500-32366	2500-32370	2500-32395	2500-32606	2500-32369	
1504-22501	250mm	4 jaw Metric Ind.	DIN 4	2500-20601	2500-25365	2500-20370	2500-25395	2500-20606	2500-20369	
1504-32501	315mm	4 jaw Metric Ind.	DIN 5	2500-32601	2500-32365	2500-32370	2500-32395	2500-32606	2500-32369	
1504-43201	315mm	4 jaw Metric Ind.	DIN 6	2500-32601	2500-32365	2500-32370	2500-32395	2500-32606	2500-32369	
1504-53201	315mm	4 jaw Metric Ind.	DIN 8	2500-32601	2500-32365	2500-32370	2500-32395	2500-32606	2500-32369	
1520-10801	3"	4 jaw Light Type	Adaptor	2520-08601	2520-08365	-	2520-10395	2520-08606	-	
1520-11001	4"	4 jaw Light Type	Adaptor	2520-08601	2520-08365	-	2520-10395	2520-08606	-	
1520-11201	4.5"	4 jaw Light Type	Adaptor	2520-08601	2520-08365	-	2520-10395	2520-08606	-	
1520-90801	3"	4 jaw Light Type	Adaptor	2520-08601	2520-08365	-	2520-10395	2520-08606	-	
1520-91001	4"	4 jaw Light Type	Adaptor	2520-08601	2520-08365	-	2520-10395	2520-08606	-	
1520-91201	4.5"	4 jaw Light Type	Adaptor	2520-08601	2520-08365	-	2520-10395	2520-08606	-	
1527-08000	3"	4 jaw Light Type		2520-08601	2520-08365	-	2520-10395	2520-08606	-	
1527-10000	4"	4 jaw Myford	30MX	2520-08601	2520-08365	-	2520-10395	2520-08606	-	
1527-11001	4"	4 jaw Light Type	Adaptor	2520-08601	2520-08365	-	2527-10010	2520-08606	-	Long key.
1527-12000	4.5"	4 jaw Light Type		2520-08601	2520-08365	-	2520-10395	2520-08606	-	Special recess.
1528-65290	65mm	4 jaw Light Type	Cowell	No spares available.					-	
1529-00010	115mm	4 jaw Light Type	Cincinnati	2520-08601	2520-08365	-	2520-10395	2520-08606	-	
1529-00030	4"	4 jaw Light Type	Boxford	2520-08601	2520-08365	-	2529-00031	2520-08606	-	
1540-11401	5"	4 jaw Light Type	Adaptor	2540-14601	2540-14365	2540-14370	2540-21395	2540-14606	-	
1540-11601	6"	4 jaw Light Type	Adaptor	2540-14601	2540-14365	2540-14370	2540-21395	2540-14606	-	
1540-12101	8"	4 jaw Light Type	Adaptor	2540-21601	2540-21365	2540-21370	2540-21395	2540-21606	-	
1540-12601	10"	4 jaw Light Type	Adaptor	2540-26601	2540-26365	2540-26370	2540-26395	2540-26606	-	
1540-91401	5"	4 jaw Light Type	Adaptor	2540-14601	2540-14365	2540-14370	2540-21395	2540-14606	-	
1540-91601	6"	4 jaw Light Type	Adaptor	2540-14601	2540-14365	2540-14370	2540-21395	2540-14606	-	
1540-92101	8"	4 jaw Light Type	Adaptor	2540-21601	2540-21365	2540-21370	2540-21395	2540-21606	-	
1540-92601	10"	4 jaw Light Type	Adaptor	2540-26601	2540-26365	2540-26370	2540-26395	2540-26606	-	
1542-21601	6"	4 jaw Light Type	D1-3	2540-14601	2540-14365	2540-14370	2540-21395	2540-14606	-	
1542-21801	7"	4 jaw L/T Boxford	D1-3	2540-14601	2540-18365	2540-14370	2540-21395	2540-14606	-	
1542-22101	8"	4 jaw Light Type	D1-3	2540-21601	2540-21365	2540-21370	2540-21395	2540-21606	-	
1542-31601	6"	4 jaw Light Type	D1-4	2540-14601	2540-14365	2540-14370	2540-21395	2540-14606	-	
1542-32101	8"	4 jaw Light Type	D1-4	2540-21601	2540-21365	2540-21370	2540-21395	2540-21606	-	
1543-12101	8"	4 jaw Light Type	L00	2540-21601	2540-21365	2540-21370	2540-21395	2540-21606	-	
1547-14000	5"	4 jaw Light Type	Adaptor	2540-14601	2540-14365	2540-14370	2547-14000	2540-14606	-	Long key.
1547-16000	6"	4 jaw Light Type	4 MT	2540-14601	2540-14365	2540-14370	2540-21395	2540-14606	-	
1547-16010	6"	4 jaw Light Type	Hercus	2540-14601	2540-14365	2540-14370	2540-21395	2540-14606	-	
1547-21000	8"	4 jaw Light Type	D1-3	2540-21601	2540-21365	2540-21370	2540-21395	2540-21606	-	
1548-14060	5" HLV	4 jaw L/T 36HC	Tapered	2540-14601	2540-14365	2540-14370	2540-21395	2540-14606	-	(Drive pin 2548-14065). Hardinge
1548-14070	5" HLT	4 jaw L/T 36HCX	Screwed	2540-14601	2540-14365	2540-14370	2540-21395	2540-14606	-	Hardinge.
1548-14310	5" HLV	4 jaw L/T 36HC	Tapered	2540-14601	2540-14365	2540-14370	2540-21395	2540-14606	-	(Drive pin 2548-14065). Hardinge
1548-16010	6"	4 jaw Atlas ?	6644	2540-14601	2540-14365	2540-14370	2540-21395	2540-14606	-	
1548-16080	6"	4 jaw 36MC	Myford	2540-14601	2540-14365	2540-14370	2540-21395	2540-14606	-	
1548-16090	6"	4 jaw Light Type	Hercus	2540-14601	2540-14365	2540-14370	2540-21395	2540-14606	-	
1548-16130	6"	4 jaw Myford	34M	2540-14601	2540-14365	2540-14370	2540-21395	2540-14606	-	
1548-16140	6"	4 jaw L/T Myford	34MR	2540-14601	2540-14365	2540-14370	2540-21395	2540-14606	-	
1548-16170	6"	4 jaw Light Type	20W	2540-14601	2540-14365	2540-14370	2540-21395	2540-14606	-	Schaublin SVA
1548-16180	6"	4 jaw Light Type	25W	2540-14601	2540-14365	2540-14370	2540-21395	2540-14606	-	Schaublin SVB



Chuck no/ Model no.	Size	Type	Mount	Hard Jaws (4)	Screw	Bearing	Key	Soft Jaws (4)	Notes
1548-21010	8"	4 jaw Light Type	Atlas	2540-14601	2548-21016	2540-14370	2540-21395	2540-14606	
1548-21020	8"	4 jaw Light Type	Atlas	2540-14601	2548-21016	2540-14370	2540-21395	2540-14606	
1548-21160	8"	4 jaw Light Type	D1-4	2540-21601	2540-21365	2540-21370	2540-21395	2540-21606	
1548-21200	8"	4 jaw Light Type	D1-3	2540-21601	2540-21365	2540-21370	2540-21395	2540-21606	
1550-11201	4.5"	4 jaw Iron Ind.	Adaptor	2550-12601	2550-12365	2550-12370		2550-12606	<div style="border: 1px solid black; padding: 5px;"> <p>Prior to 1963 all jaws &amp; screws for 6" to 16" '55' chucks were manufactured in square thread design. In 1963 the design was changed to acme thread form.</p> <p>The jaws &amp; screws on the left are acme thread but may be used to service chucks having the original square thread jaws if both parts are fitted together.</p> <p>Note that on the 6" size only, acme thread screws are compatible with square thread jaws.</p> <p>This note applies to all other mounts of '55' chucks on the following pages.</p> <p>In general, most spares for 6" to 42" iron chucks, with the exception of screws &amp; keys, were withdrawn from manufacture in 1994.</p> </div>
1550-11601	6"	4 jaw Iron Ind.	Adaptor	2550-16601	2550-16365	2550-16370	2500-17395	2550-16606	
1550-12101	8"	4 jaw Iron Ind.	Adaptor	2550-21601	2550-21365	2550-21370	2550-21395	2550-21606	
1550-12301	9"	4 jaw Iron Ind.	Adaptor	2550-21601	2550-23365	2550-21370	2550-21395	2550-21606	
1550-12601	10"	4 jaw Iron Ind.	Adaptor	2550-26601	2550-26365	2550-26370	2550-26395	2550-26606	
1550-13101	12"	4 jaw Iron Ind.	Adaptor	2550-31601	2550-31365	2550-31370	2550-31395	2550-31606	
1550-13501	14"	4 jaw Iron Ind.	Adaptor	2550-35601	2550-35365	2550-31370	2550-31395	2550-35606	
1550-13801	15"	4 jaw Iron Ind.	Adaptor	2550-35601	2550-38365	2550-40370	2550-31395	2550-35606	
1550-14001	16"	4 jaw Iron Ind.	Adaptor	2550-35601	2568-40201	2550-40370	2550-31395	2550-35606	
1550-14301	17"	4 jaw Iron Ind.	Adaptor	2550-46601	2550-43365	2550-46370	2350-38395	2550-46606	
1550-14601	18"	4 jaw Iron Ind.	Adaptor	2550-46601	2550-46365	2550-46370	2350-38395	2550-46606	
1550-15101	20"	4 jaw Iron Ind.	Adaptor	2550-46601	2550-51365	2550-51370	2350-38395	2550-46606	
1550-15601	22"	4 jaw Iron Ind.	Adaptor	2550-61601	2550-56365	2550-61370		2550-61606	
1550-16101	24"	4 jaw Iron Ind.	Adaptor	2350-40601	2550-61365	2550-61370	2550-92395	2550-76606	
1550-16601	26"	4 jaw Iron Ind.	Adaptor	2560-61601	2550-66365	2550-76370		2560-61606	
1550-17101	28"	4 jaw Iron Ind.	Adaptor	2350-40601	2550-71365	2550-76370	2550-92395	2550-76606	
1550-17601	30"	4 jaw Iron Ind.	Adaptor	2350-40601	2550-76365	2550-76370	2550-92395	2550-76606	
1550-18101	32"	4 jaw Iron Ind.	Adaptor	2550-92601	2550-81365	2550-92370	2550-92395	2550-92606	
1550-19201	36"	4 jaw Iron Ind.	Adaptor	2550-92601	2550-92365	2550-92370	2550-92395	2550-92606	
1550-19301	42"	4 jaw Iron Ind.	Adaptor	2350-66601	2550-92365	2550-93370	2550-92395	2350-66606	
1550-91601	6"	4 jaw Iron Ind.	Adaptor	2550-16601	2550-16365	2550-16370	2500-17395	2550-16606	
1550-92101	8"	4 jaw Iron Ind.	Adaptor	2550-21601	2550-21365	2550-23370	2550-21395	2550-21606	
1550-92601	10"	4 jaw Iron Ind.	Adaptor	2550-26601	2550-26365	2550-26370	2550-26395	2550-26606	
1550-93101	12"	4 jaw Iron Ind.	Adaptor	2550-31601	2550-31365	2550-31370	2550-31395	2550-31606	
1550-93501	14"	4 jaw Iron Ind.	Adaptor	2550-35601	2550-35365	2550-31370	2550-31395	2550-35606	
1550-94001	16"	4 jaw Iron Ind.	Adaptor	2550-35601	2568-40201	2550-40370	2550-31395	2550-35606	
1550-94601	18"	4 jaw Iron Ind.	Adaptor	2550-46601	2550-46365	2550-46370	2350-38395	2550-46606	
1550-95101	20"	4 jaw Iron Ind.	Adaptor	2550-46601	2550-51365	2550-51370	2350-38395	2550-46606	
1550-96101	24"	4 jaw Iron Ind.	Adaptor	2350-40601	2550-61365	2550-61370	2550-92395	2550-76606	
1550-97601	30"	4 jaw Iron Ind.	Adaptor	2350-40601	2550-76365	2550-76370	2550-92395	2550-76606	
1550-99201	36"	4 jaw Iron Ind.	Adaptor	2550-92601	2550-92365	2550-92370	2550-92395	2550-92606	
1550-99301	42"	4 jaw Iron Ind.	Adaptor	2350-66601	2550-93365	2550-93370	2550-92395	2350-66606	
1550-99401	48"	4 jaw Iron Ind.	Adaptor	2350-66601	2550-94365	2550-93370	2550-92395	2350-66606	
1551-32101	8"	4 jaw Iron Ind.	A1-5	2550-21601	2550-21365	2550-21370	2550-21395	2550-21606	
1551-32601	10"	4 jaw Iron Ind.	A1-5	2550-26601	2550-26365	2550-26370	2550-26395	2550-26606	
1551-42601	10"	4 jaw Iron Ind.	A1-6	2550-26601	2550-26365	2550-26370	2550-26395	2550-26606	
1551-43101	12"	4 jaw Iron Ind.	A1-6	2550-31601	2550-31365	2550-31370	2550-31395	2550-31606	
1551-43501	14"	4 jaw Iron Ind.	A1-6	2550-35601	2550-35365	2550-31370	2550-31395	2550-35606	
1551-44001	16"	4 jaw Iron Ind.	A1-6	2550-35601	2568-40201	2550-40370	2550-31395	2550-35606	
1551-53101	12"	4 jaw Iron Ind.	A1-8	2550-31601	2550-31365	2550-31370	2550-31395	2550-31606	
1551-53501	14"	4 jaw Iron Ind.	A1-8	2550-35601	2550-35365	2550-31370	2550-31395	2550-35606	
1551-54001	16"	4 jaw Iron Ind.	A1-8	2550-35601	2568-40201	2550-40370	2550-31395	2550-35606	
1552-21701	6"	4 jaw Iron Ind.	D1-3	2550-16601	2550-16365	2550-16370	2500-17395	2550-16606	
1552-31701	6"	4 jaw Iron Ind.	D1-4	2550-16601	2550-16365	2550-16370	2500-17395	2550-16606	
1552-42101	8"	4 jaw Iron Ind.	D1-5	2550-21601	2550-21365	2550-21370	2550-21395	2550-21606	
1552-42601	10"	4 jaw Iron Ind.	D1-5	2550-26601	2550-26365	2550-26370	2550-26395	2550-26606	

\*\* Special note for pre-1946 chucks:  
6" to 10" - use codes 1550- . . .  
12" to 16" - Spares unavailable.

For many years independent chucks were supplied with an option on mounting bolts. number the component parts of each chuck were identical, thus in the following three examples of one chuck all component parts were the same:

6" 55 with metric through bolts = 1550-11601  
6" 55 with unc through bolts = 1550-91601  
6" 55 with rear bolts only = 1550-01601



Chuck no/ Model no.	Size	Type	Mount	Hard Jaws (4)	Screw	Bearing	Key	Soft Jaws (4)	Bearing Retainer	Notes		
1552-52601	10"	4 jaw Iron Ind.	D1-6	2550-26601	2550-26365	2550-26370	2550-26395	2550-26606	-			
1552-53101	12"	4 jaw Iron Ind.	D1-6	2550-31601	2550-31365	2550-31370	2550-31395	2550-31606	-			
1552-53501	14"	4 jaw Iron Ind.	D1-6	2550-35601	2550-35365	2550-31370	2550-31395	2550-35606	-			
1552-54001	16"	4 jaw Iron Ind.	D1-6	2550-35601	2568-40201	2550-40370	2550-31395	2550-35606	-			
1552-63101	12"	4 jaw Iron Ind.	D1-8	2550-31601	2550-31365	2550-31370	2550-31395	2550-31606	-			
1552-63501	14"	4 jaw Iron Ind.	D1-8	2550-35601	2550-35365	2550-31370	2550-31395	2550-35606	-			
1552-64001	16"	4 jaw Iron Ind.	D1-8	2550-35601	2568-40201	2550-40370	2550-31395	2550-35606	-			
1552-64601	18"	4 jaw Iron Ind.	D1-8	2550-46601	2550-46365	2550-46370	2350-38395	2550-46606	-			
1552-65101	20"	4 jaw Iron Ind.	D1-8	2550-46601	2550-51365	2550-51370	2350-38395	2550-46606	-			
1552-66101	24"	4 jaw Iron Ind.	D1-8	2350-40601	2550-61365	2550-61370	2550-92395	2550-76606	-			
1552-74601	18"	4 jaw Iron Ind.	D1-11	2550-46601	2550-46365	2550-46370	2350-38395	2550-46606	-			
1552-75101	20"	4 jaw Iron Ind.	D1-11	2550-46601	2550-51365	2550-51370	2350-38395	2550-46606	-			
1552-76101	24"	4 jaw Iron Ind.	D1-11	2350-40601	2550-61365	2550-61370	2550-92395	2550-76606	-			
1553-11701	6"	4 jaw Iron Ind.	L00	2550-16601	2550-16365	2550-16370	2500-17395	2550-16606	-			
1553-12101	8"	4 jaw Iron Ind.	L00	2550-21601	2550-21365	2550-21370	2550-21395	2550-21606	-			
1553-12301	9"	4 jaw Iron Ind.	L00	2550-21601	2550-23365	2550-23370	2550-21395	2550-21606	-			
1553-12601	10"	4 jaw Iron Ind.	L00	2550-26601	2550-26365	2550-26370	2550-26395	2550-26606	-			
1553-22101	8"	4 jaw Iron Ind.	L0	2550-21601	2550-21365	2550-21370	2550-21395	2550-21606	-			
1553-22601	10"	4 jaw Iron Ind.	L0	2550-26601	2550-26365	2550-26370	2550-26395	2550-26606	-			
1553-23101	12"	4 jaw Iron Ind.	L0	2550-31601	2550-31365	2550-31370	2550-31395	2550-31606	-			
1553-23501	14"	4 jaw Iron Ind.	L0	2550-35601	2550-35365	2550-31370	2550-31395	2550-35606	-			
1553-32601	10"	4 jaw Iron Ind.	L1	2550-26601	2550-26365	2550-26370	2550-26395	2550-26606	-			
1553-33101	12"	4 jaw Iron Ind.	L1	2550-31601	2550-31365	2550-31370	2550-31395	2550-31606	-			
1553-33501	14"	4 jaw Iron Ind.	L1	2550-35601	2550-35365	2550-31370	2550-31395	2550-35606	-			
1553-34001	16"	4 jaw Iron Ind.	L1	2550-35601	2568-40201	2550-40370	2550-31395	2550-35606	-			
1553-43101	12"	4 jaw Iron Ind.	L2	2550-31601	2550-31365	2550-31370	2550-31395	2550-31606	-			
1553-43501	14"	4 jaw Iron Ind.	L2	2550-35601	2550-35365	2550-31370	2550-31395	2550-35606	-			
1553-44001	16"	4 jaw Iron Ind.	L2	2550-35601	2568-40201	2550-40370	2550-31395	2550-35606	-			
1553-44601	18"	4 jaw Iron Ind.	L2	2550-46601	2550-46365	2550-46370	2350-38395	2550-46606	-			
1554-32101	8"	4 jaw Iron Ind.	DIN 5	2550-21601	2550-21365	2550-21370	2550-21395	2550-21606	-			
1554-32601	10"	4 jaw Iron Ind.	DIN 5	2550-26601	2550-26365	2550-26370	2550-26395	2550-26606	-			
1554-42601	10"	4 jaw Iron Ind.	DIN 6	2550-26601	2550-26365	2550-26370	2550-26395	2550-26606	-			
1554-43101	12"	4 jaw Iron Ind.	DIN 6	2550-31601	2550-31365	2550-31370	2550-31395	2550-31606	-			
1554-43501	14"	4 jaw Iron Ind.	DIN 6	2550-35601	2550-35365	2550-31370	2550-31395	2550-35606	-			
1554-44001	16"	4 jaw Iron Ind.	DIN 6	2550-35601	2568-40201	2550-40370	2550-31395	2550-35606	-			
1554-44601	18"	4 jaw Iron Ind.	DIN 6	2550-46601	2550-46365	2550-46370	2350-38395	2550-46606	-			
1554-53101	12"	4 jaw Iron Ind.	DIN 8	2550-31601	2550-31365	2550-31370	2550-31395	2550-31606	-			
1554-53501	14"	4 jaw Iron Ind.	DIN 8	2550-35601	2550-35365	2550-31370	2550-31395	2550-35606	-			
1554-54001	16"	4 jaw Iron Ind.	DIN 8	2550-35601	2568-40201	2550-40370	2550-31395	2550-35606	-			
1554-54601	18"	4 jaw Iron Ind.	DIN 8	2550-46601	2550-46365	2550-46370	2350-38395	2550-46606	-			
1554-64601	18"	4 jaw Iron Ind.	DIN 11	2550-46601	2550-46365	2550-46370	2350-38395	2550-46606	-			
1557-40010	16"	Spares as 1550-14001. D1-11 mount with special recess.								-		
1557-40020	16"	Spares as 1550-14001 (shortened screws)				2557-40020					-	
1557-40030	16"	Spares as 1550-14001 (shortened screws)				2557-40030					-	
1557-40040	16"	Spares as 1550-14001. Tee slots in face.								-		
1557-46000	18"	Spares as 1550-14601. 8" recess.								-		
1557-46010	18"	Spares as 1550-14601 except screw.				2557-46011	Bore 7.125".				-	
1557-46020	18"	Spares as 1550-14601.			7559-46000	Special jaws.				-		
1557-51000	20"	Spares as 1550-15101 except screw.				2557-51001	Bore 4.75".				-	





Chuck no./ Model no.	Size	Type	Mount	Hard Jaws (4)	Screw	Bearing	Key	Soft Jaws (4)	Bearing Retainer	Notes	
1557-51010	20"	4 jaw Iron Ind.	Adaptor	2550-46601	2557-51011	2550-51370	2350-38395	2550-46606	-	7" bore	
1557-51020	20"	4 jaw Iron Ind.	Adaptor	2550-46601		2550-51370	2350-38395	2550-46606	-	7.5" bore	
1557-51030	28"	Spares as 1550-17101. Bore 4.725". Note code no. of chuck should be 1557-71000.								-	
1557-51040	20"	4 jaw Iron Ind.	Adaptor	2550-46601	2557-51041	2550-51370	2350-38395	2550-46606	-	7 1/32" bore	
1557-51050	20"	4 jaw Iron Ind.	Special	2550-46601	2550-51365	2550-51370	2350-38395	2550-46606	-	9.5" recess	
1557-51060	20"	4 jaw Iron Ind.	Special	2550-46601	2550-51365	2550-51370	2350-38395	2550-46606	-	11" recess	
1557-51070	Special n	4 jaw Iron Ind.	Special	2550-46601	2550-51365	2550-51370	2350-38395	2550-46606	-	Tee slots in face.	
1557-51080	20"	4 jaw Iron Ind.	Adaptor	2550-46601	2557-51081	2550-51370	2350-38395	2550-46606	-	7.125" bore	
1557-61000	24"	Bore 10 7/32". Tee slots. 13" recess. No details of spares. Drg. A16889. Can use jaws 2350-40601.								-	
1557-61010	24"	Spares as 1550-16101.		7579-61000	Lang jaws fitted.					-	
1557-61020	24"	4 jaw Iron Ind.	DIN 8	2350-40601	2550-61365	2550-61370	2550-92395	2550-76606	-	Additional holes	
1557-71000	28"	See 1557-51030									
1557-71010	28"	4 jaw Iron Ind.	Adaptor	2550-46601	2557-71011	2550-51370	2350-38395	2550-46606	-	Bore 6.75".	
1557-71020	28"	Fitted with '56' jaws & bearings.									
1557-76000	30"	4 jaw Iron Ind.	Adaptor	2350-40601	2550-76365	2550-76370	2557-76000	2350-40606	-	Long Key.	
1557-76010	30"	Fitted with '56' jaws & bearings.									
1557-92000	36"	4 jaw Iron Ind.	Special	2550-92601	2557-92001	2550-92370	2550-92395	2550-92606	-		
1558-10010	4"	4 jaw Atlas	6844B	2558-10017	2558-10016		2308-10015		-		
1558-10280	4"	4 jaw Atlas	4400	2558-10017	2558-10016		2308-10015		-		
1558-35220	14"	4 jaw Mitchell		2550-35601	2550-35366	2550-31370	2550-31395	2550-35606	-		
1558-40220	16"	4 jaw Mitchell		2550-35601	2568-40201	2550-40370	2550-31395	2550-35606	-		
1558-51220	20"	4 jaw Mitchell		2550-46601	2550-51365	2550-51370	2350-38395	2550-46606	-		
155A	Size of chuck required to identify spares. Use codes 1550- when size known.										
1560-11601	6"	4 jaw SG Iron Ind.	Recess	2550-16601	2550-16365	2550-16370	2500-17395	2550-16606	-	<p>Prior to 1963 all jaws &amp; screws for 6" to 14" '56' chucks were manufactured in square thread design. In 1963 the design was changed to acme thread form. The jaws &amp; screws on the left are acme thread but may be used to service chucks having the original square thread jaws if both parts are fitted together. Note that on the 6" size only, acme thread screws are compatible with square thread jaws. This note applies to all other standard (ie not 1567-) mounts of '56'chucks on the following pages.</p>	
1560-12101	8"	4 jaw SG Iron Ind.	Recess	2550-21601	2550-21365	2550-21370	2550-21395	2550-21606	-		
1560-12601	10"	4 jaw SG Iron Ind.	Recess	2550-26601	2550-26365	2550-26370	2550-26395	2550-26606	-		
1560-13101	12"	4 jaw SG Iron Ind.	Recess	2550-31601	2550-31365	2550-31370	2550-31395	2550-31606	-		
1560-13501	14"	4 jaw SG Iron Ind.	Recess	2550-35601	2550-35365	2550-31370	2550-31395	2550-35606	-		
1560-14001	16"	4 jaw SG Iron Ind.	Recess	2550-46601	2560-40365	2560-40370	2350-38395	2550-46606	-		
1560-14601	18"	4 jaw SG Iron Ind.	Recess	2550-46601	2550-46365	2550-46370	2350-38395	2550-46606	-		
1560-15101	20"	4 jaw SG Iron Ind.	Recess	2350-40601	2560-51365	2550-61370	2550-92395	2350-40606	-		
1560-16101	24"	4 jaw SG Iron Ind.	Recess	2350-40601	2550-61365	2550-61370	2550-92395	2550-76606	-		
1560-17101	28"	4 jaw SG Iron Ind.	Recess	2550-92601	2550-71365	2560-76370	2550-92395	2550-92606	-		
1560-17601	30"	4 jaw SG Iron Ind.	Recess	2550-92601	2550-76365	2560-76370	2550-92395	2550-92606	-		
1560-19201	36"	4 jaw SG Iron Ind.	Recess	2550-92601	2550-92365	2550-92370	2550-92395	2550-92606	-		
1561-33501	14"	4 jaw SG Iron Ind.	A1-5	2550-35601	2550-35365	2550-31370	2550-31395	2550-35606	-	<p>For many years independent chucks were supplied with an option on mounting bolts. While every variant had a unique catalogue number, the component parts of each chuck were identical thus in the following 3 examples of one chuck all component parts are the same:          6" 56 with metric through bolts = 1560-11601          6" 56 with unc through bolts = 1560-91601          6" 56 with rear bolts only = 1560-01601</p>	
1561-44001	16"	4 jaw SG Iron Ind.	A1-6	2550-46601	2560-40365	2560-40370	2350-38395	2550-46606	-		
1561-44601	18"	4 jaw SG Iron Ind.	A1-6	2550-46601	2550-46365	2550-46370	2350-38395	2550-46606	-		
1561-55101	30"	4 jaw SG Iron Ind.	A1-8	2350-40601	2560-51365	2550-61370	2550-92395	2350-40606	-		
1561-56101	24"	4 jaw SG Iron Ind.	A1-8	2350-40601	2550-61365	2550-61370	2550-92395	2550-76606	-		
1561-67101	28"	4 jaw SG Iron Ind.	A1-11	2550-92601	2550-71365	2560-76370	2550-92395	2550-92606	-		
1561-67601	30"	4 jaw SG Iron Ind.	A1-11	2550-92601	2550-76365	2560-76370	2550-92395	2550-92606	-		
1562-31701	6"	4 jaw SG Iron Ind.	D1-4	2550-16601	2550-16365	2550-16370	2500-17395	2550-16606	-		
1562-32601	10"	4 jaw SG Iron Ind.	D1-4	2550-26601	2550-26365	2550-26370	2550-26395	2550-26606	-		
1562-42101	8"	4 jaw SG Iron Ind.	D1-5	2550-21601	2550-21365	2550-21370	2550-21395	2550-21606	-		
1562-42601	10"	4 jaw SG Iron Ind.	D1-5	2550-26601	2550-26365	2550-26370	2550-26395	2550-26606	-		
1562-52601	10"	4 jaw SG Iron Ind.	D1-6	2550-26601	2550-26365	2550-26370	2550-26395	2550-26606	-		
1562-53101	12"	4 jaw SG Iron Ind.	D1-6	2550-31601	2550-31365	2550-31370	2550-31395	2550-31606	-		



Chuck no/ Model no.	Size	Type	Mount	Hard Jaws (4)	Screw	Bearing	Key	Soft Jaws (4)	Bearing Retainer	Notes
1562-53501	14"	4 jaw SG Iron Ind.	D1-6	2550-35601	2550-35365	2550-31370	2550-31395	2550-35606	-	
1562-54001	16"	4 jaw SG Iron Ind.	D1-6	2550-46601	2560-40365	2560-40370	2350-38395	2550-46606	-	
1562-63101	12"	4 jaw SG Iron Ind.	D1-8	2550-31601	2550-31365	2550-31370	2550-31395	2550-31606	-	
1562-63501	14"	4 jaw SG Iron Ind.	D1-8	2550-35601	2550-35365	2550-31370	2550-31395	2550-35606	-	
1562-64001	16"	4 jaw SG Iron Ind.	D1-8	2550-35601	2568-40201	2550-40370	2550-31395	2550-35606	-	
1562-64601	18"	4 jaw SG Iron Ind.	D1-8	2550-46601	2550-46365	2550-46370	2350-38395	2550-46606	-	
1562-65101	20"	4 jaw SG Iron Ind.	D1-8	2350-40601	2560-51365	2550-61370	2550-92395	2350-40606	-	
1562-66101	24"	4 jaw SG Iron Ind.	D1-8	2350-40601	2550-61365	2550-61370	2550-92395	2550-76606	-	
1562-67101	28"	4 jaw SG Iron Ind.	D1-8	2550-92601	2550-71365	2560-76370	2550-92395	2550-92606	-	
1562-74001	16"	4 jaw SG Iron Ind.	D1-11	2550-46601	2560-40365	2560-40370	2350-38395	2550-46606	-	
1562-74601	18"	4 jaw SG Iron Ind.	D1-11	2550-46601	2550-46365	2550-46370	2350-38395	2550-46606	-	
1562-75101	20"	4 jaw SG Iron Ind.	D1-11	2350-40601	2560-51365	2550-61370	2550-92395	2350-40606	-	
1562-76101	24"	4 jaw SG Iron Ind.	D1-11	2350-40601	2550-61365	2550-61370	2550-92395	2550-76606	-	
1562-77101	28"	4 jaw SG Iron Ind.	D1-11	2550-92601	2550-71365	2560-76370	2550-92395	2550-92606	-	
1562-77601	30"	4 jaw SG Iron Ind.	D1-11	2550-92601	2550-76365	2560-76370	2550-92395	2550-92606	-	
1564-43501	14"	4 jaw SG Iron Ind.	DIN 6	2550-35601	2550-35365	2550-31370	2550-31395	2550-35606	-	
1564-44001	16"	4 jaw SG Iron Ind.	DIN 6	2550-46601	2560-40365	2560-40370	2350-38395	2550-46606	-	
1564-54001	16"	4 jaw SG Iron Ind.	DIN 8	2550-46601	2560-40365	2560-40370	2350-38395	2550-46606	-	
1564-54601	18"	4 jaw SG Iron Ind.	DIN 8	2550-46601	2550-46365	2550-46370	2350-38395	2550-46606	-	
1564-55101	20"	4 jaw SG Iron Ind.	DIN 8	2350-40601	2560-51365	2550-61370	2550-92395	2350-40606	-	
1564-56101	24"	4 jaw SG Iron Ind.	DIN 8	2350-40601	2550-61365	2550-61370	2550-92395	2550-76606	-	
1564-65101	20"	4 jaw SG Iron Ind.	DIN 11	2350-40601	2560-51365	2550-61370	2550-92395	2350-40606	-	
1564-66101	24"	4 jaw SG Iron Ind.	DIN 11	2350-40601	2550-61365	2550-61370	2550-92395	2550-76606	-	
1564-67601	30"	4 jaw SG Iron Ind.	DIN 11	2550-92601	2550-76365	2560-76370	2550-92395	2550-92606	-	
1567-31000	12"	4 jaw SG Iron Ind.	D1-6	2550-31601	2567-31001	2550-31370	2550-31395	2550-31606	-	
1567-31010	12"	4 jaw SG Iron Ind.	Recess	2550-31601	2567-31011	2550-31370	2550-31395	2550-31606	-	
1567-31020	12"	4 jaw SG Iron Ind.	Recess	2550-31601	2550-31365	2550-31370	2550-31395	2550-31606	-	Tee slots in face.
1567-31040	12"	Spares as 1560-13101. Recess 4 25/32". Additional holes.							-	
1567-35000	14"	Modified as drg. A16413A. Spares as 1560-13501?							-	
1567-35010	14"	Spares as 1560-13501 except screw.			2567-35011	(std. -1/4")			-	
1567-35020	14"	4 jaw SG Iron Ind.	Recess	2550-35601	2550-35365	2550-31370	2550-31395	2550-35606	-	Tee slots in face.
1567-35040	14"	Spares as 1560-13501. A1-6 adaptor. Additional holes.							-	
1567-35050	14"	4 jaw SG Iron Ind.	D1-8	2550-35601	2550-35365	2550-31370	2550-31395	2550-35606	-	Tapped holes in jaws.
1567-40000	16"	4 jaw SG Iron Ind.	BS 9.5"	2550-46601	2560-40365	2560-40370	2350-38395	2550-46606	-	Tee slots in face.
1567-40010	16"	4 jaw SG Iron Ind.	DIN 8	2550-46601	2560-40365	2560-40370	2350-38395	2550-46606	-	
1567-40020	16"	4 jaw SG Iron Ind.	DIN 6	2550-46601	2560-40365	2560-40370	2350-38395	2550-46606	-	
1567-40030	16"	4 jaw SG Iron Ind.	Recess	2550-46601	2560-40365	2560-40370	2350-38395	2550-46606	-	Additional holes.
1567-40040	16"	4 jaw SG Iron Ind.	DIN 8	2550-46601	2560-40365	2560-40370	2350-38395	2550-46606	-	
1567-40050	16"	Spares as 1560-14001 except screws.			2567-40051	Bore 5 1/32".			-	
1567-40060	16"	4 jaw SG Iron Ind.	Recess	2550-46601	2560-40365	2560-40370	2350-38395	2550-46606	-	Tee slots in face.
1567-40080	16"	4 jaw SG Iron Ind.	D1-8	2550-35601	2567-40081	2550-40370	2550-31395	2550-35606	-	4" Bore
1567-40090	16"	4 jaw SG Iron Ind.	D1-11	2550-35601	2567-40081	2550-40370	2550-31395	2550-35606	-	4" Bore
1567-40100	16"	4 jaw SG Iron Ind.	D1-8	2550-35601	2568-40201	2550-40370	2550-31395	2550-35606	-	No tee slots. Additional holes.
1567-40110	16"	Spares as 1568-40200 except screws.			2567-40110	Bore 105mm.			-	
1567-40110	16"	4 jaw SG Iron Ind.	Special	2550-46601	2560-40365	2560-40370	2350-38395	2550-46606	-	
1567-40120	16"	4 jaw SG Iron Ind.	D1-8	2550-35601	2568-40201	2550-40370	2567-40120	2550-35606	-	Long Key
1567-40130	16"	4 jaw SG Iron Ind.	Recess	2550-46601	2560-40365	2560-40370	2567-40130	2550-46606	-	Long Key
1567-46000	18"	Bore 3.125". No detail of origin chuck. Mat. list A16763.							-	



Chuck no/ Model no.	Size	Type	Mount	Hard Jaws (4)	Screw	Bearing	Key	Soft Jaws (4)	Bearing Retainer	Notes	
1567-46010	18"	SG Iron Ind.	DIN 8	2550-46601	2550-46365	2550-46370	2350-38395	2550-46606			
1567-46020	18"	SG Iron Ind.	D1-11	2550-46601	2567-46021	2550-46370	2350-38395	2550-46606		(This chuck has 120mm bore)	
1567-46030	18"	Spares as 1560-14601. American base & top jaws. Tee slots in body.									
1567-46040	18"	56 with extra holes.			2550-46601	2550-46365	2550-46370	2350-38395	2550-46606		
1567-51000	20"	SG Iron Ind.	DIN 11	2350-40601	2560-51365	2550-61370	2550-92395	2350-40606			
1567-51010	20"	SG Iron Ind.	DIN 8	2350-40601	2560-51365	2550-61370	2550-92395	2350-40606			
1567-51020	20"	SG Iron Ind.	BS 11"	2350-40601	2560-51365	2550-61370	2550-92395	2350-40606			
1567-51030	20"	Spares as 1560-15101. BS 11" mount. American base & top jaws.									
1567-61000	24"	Spares as 1560-16101. DIN 55022-8 mount.									
1567-61010	24"	Spares as 1560-16101. Tee slots in face.									
1567-61020	24"	Spares as 1560-16101. Tee slots in face. American base & top jaws.									
1567-71000	28"	Spares as 1560-17101. Large bore. Special adaptor.									
1567-71010	28"	Spares as 1560-17101 except screw.				2567-71011					
1567-71020	28"	Modified 28" chuck drg. A17622. (1562-77101)									
1567-76000	30"	4 jaw SG Iron Ind.	A1-11	2550-92601	2550-76365	2560-76370	2550-92395	2550-92606			
1567-80000	30"	Additional holes. 10" recess. Material list A16420.									
1567-80010	30"	56 with tee slots	Recess	2550-92601	2550-76365	2560-76370	2550-92395	2550-92606			
1567-80020	30"	56 with addn. holes	Recess	2550-92601	2550-76365	2560-76370	2550-92395	2550-92606			
1568-17060	6" 6-4	4 jaw Hardinge TJ	Tapered	2230-17608	Obsolete	Obsolete	Obsolete	2210-17509		(Top Jaws) (Drive Pin = 2008-16065)	
1568-17070	6" 6-4D	4 jaw Hardinge TJ	Threaded	2230-17608	Obsolete	Obsolete	Obsolete	2210-17509		(Top jaws) (Base jaws obsolete)	
1568-40200	16"	4 jaw SG Iron Ind.	D1-11	2550-35601	2568-40201	2550-40370	2550-31395	2550-35606			
1568-40201	16"	4 jaw SG Iron Ind.	D1-8	2550-35601	2568-40201	2550-40370	2550-31395	2550-35606			
1568-40220	16"	4 jaw SG Iron Ind.	Mitchell	2550-35601	2568-40221 §	2550-31370	2550-31395	2550-35606		§ Shortened 2568-40201.	
1568-40221	16"	4 jaw SG Iron Ind.	Mitchell	2550-35601	2568-40221 §	2550-31370	2550-31395	2550-35606			
1568-40223	16"	4 jaw SG Iron Ind.	Mitchell	2550-35601	2568-40201	2550-40370	2550-31395	2550-35606			
1570-11601	6"	4 jaw Steel Ind.	Recess	2550-16601	2550-16365	2550-16370	2500-17395	2550-16606		** Special note for pre-1946 '57' chucks: 6" to 10" - use codes 1560- 12" & 14" - Spares not available. 16" & 18" - use codes 1560- 20" - Spares not available 24" to 36" - use codes 1560-	
1570-12101	8"	4 jaw Steel Ind.	Recess	2550-21601	2550-21365	2550-21370	2550-21395	2550-21606			
1570-12301	9"	4 jaw Steel Ind.	Recess	2550-21601	2550-23365	2550-23370	2550-21395	2550-21606			
1570-12601	10"	4 jaw Steel Ind.	Recess	2550-26601	2550-26365	2550-26370	2550-26395	2550-26606			
1570-13101	12"	4 jaw Steel Ind.	Recess	2550-31601	2550-31365	2550-31370	2550-31395	2550-31606			
1570-13501	14"	4 jaw Steel Ind.	Recess	2550-35601	2550-35365	2550-35370	2550-31395	2550-35606			
1570-13801	15"	4 jaw Steel Ind.	Recess	2550-46601	2570-38365	2560-40370	2350-38395	2550-46606			
1570-14001	16"	4 jaw Steel Ind.	Recess	2550-46601	2560-40365	2560-40370	2350-38395	2550-46606			
1570-14301	17"	4 jaw Steel Ind.	Recess	2550-46601	2550-46365	2550-46370	2350-38395	2550-46606			
1570-14601	18"	4 jaw Steel Ind.	Recess	2550-46601	2550-46365	2550-46370	2350-38395	2550-46606			
1570-15101	20"	4 jaw Steel Ind.	Recess	2350-40601	2560-51365	2550-61370	2550-92395	2350-40606			
1570-15601	22"	4 jaw Steel Ind.	Recess	2350-40601	2550-56365	2550-61370	2550-92395	2550-76606			
1570-16101	24"	4 jaw Steel Ind.	Recess	2350-40601	2550-61365	2550-61370	2550-92395	2350-40606			
1570-16601	26"	4 jaw Steel Ind.	Recess	2550-92601	2550-66365	2560-71370	2550-92395	2550-92606			
1570-17101	28"	4 jaw Steel Ind.	Recess	2550-92601	2550-71365	2560-71370	2550-92395	2550-92606			
1570-17601	30"	4 jaw Steel Ind.	Recess	2550-92601	2550-76365	2550-76370	2550-92395	2550-92606			
1570-19201	36"	4 jaw Steel Ind.	Recess	2550-92601	2550-92365	2550-92370	2550-92395	2550-92606			
1570-19301	42"	4 jaw Steel Ind.	Recess	2350-81601	2560-93365	2560-93370	2350-81395	2350-81606			
1570-19401	48"	4 jaw Steel Ind.	Recess	2350-81601	2560-94365	2560-93370	2350-81395	2350-81606			
1572-21701	6.5"	4 jaw Steel Ind.	D1-3	2550-16601	2550-17365	2550-17370	2500-17395	2550-16606			
1572-31701	6.5"	4 jaw Steel Ind.	D1-4	2550-16601	2550-17365	2550-17370	2500-17395	2550-16606			
1572-32101	8"	4 jaw Steel Ind.	D1-4	2550-21601	2550-21365	2550-21370	2550-21395	2550-21606			
1572-64301	17"	4 jaw Steel Ind.	D1-8	2550-46601	2550-43365	2550-46370	2350-38395	2550-46606			
1572-65101	20"	4 jaw Steel Ind.	D1-8	2350-40601	2560-51365	2550-61370	2550-92395	2350-40606			

For many years independent chucks were supplied with an option on mounting bolts. While every variant had a unique catalogue number, the component parts of each chuck were identical thus in the following 3 examples of one chuck all component parts are the same:  
6" 57 with metric through bolts = 1570-11601  
6" 57 with unc through bolts = 1570-91601  
6" 57 with rear bolts only = 1570-01601

\*\* Special note for pre-1946 '57' chucks:  
6" to 10" - use codes 1560-  
12" & 14" - Spares not available.  
16" & 18" - use codes 1560-  
20" - Spares not available  
24" to 36" - use codes 1560-

Prior to 1963 all jaws & screws for 6" to 14" '57' chucks were manufactured in square thread design. In 1963 the design was changed to acme thread form. The jaws & screws on the left are acme thread but may be used to service chucks having the original square thread jaws if both parts are fitted together. Note that on the 6" size only, acme thread screws are compatible with square thread jaws. This note applies to all other standard (ie not 1577-) mounts of '57' chucks on the following pages.



Chuck no/ Model no.	Size	Type	Mount	Hard Jaws (4)	Screw	Bearing	Key	Soft Jaws (4)	Bearing Retainer	Notes	
1572-77601	30"	4 jaw Steel Ind.	D1-11	2550-92601	2550-76365	2560-76370	2550-92395	2550-92606	-		
1572-79201	36"	4 jaw Steel Ind.	D1-11	2550-92601	2550-92365	2550-92370	2550-92395	2550-92606	-		
1574-65101	20"	4 jaw Steel Ind.	DIN 11	2350-40601	2560-51365	2550-61370	2550-92395	2350-40606	-		
1577-25000	10"	Spares as 1570-12601 except jaws. (Base jaws 2550-26607; hard top jaws 2970-24608).									
1577-31000	12"	Spares as 1570-13101. Tee slots in face.									
1577-35000	14"	Spares as 1570-13501. Tee slots in face.									
1577-35020	14"	Spares as 1570-13501. Tee slots in face.									
1577-38000	15"	Spares as 1570-13801. Tee slots in face.									
1577-40000	16"	Modified drg. A2189.									
1577-40010	16"	Spares as 1570-14001. Tee slots in face.									
1577-40030	16"	Modified drg. A12530. Long key.					2577-40030				
1577-40040	16"	Modified to drg. A11761. No details of source chuck.									
1577-46000	18"	Spares as 1570-14601. Tee slots in body.									
1577-46020	18"	Modified to drg. 7266B. Bore 135mm. No details of source chuck.									
1577-46030	18"	Spares as 1578-46991 except base jaws 2550-46607; hard top jaw 2970-38608.									
1577-46040	18"	Spares as 1578-46991. D1-11 mount.									
1577-51000	20"	Modified to drg. A4414. Special recess. No details of source chuck.									
1577-56000	22"	Spares as 1570-15601. Tee slots in body.									
1577-56020	22"	Spares as 1578-56990. Bore 130mm.									
1577-56030	22"	Spares as 1578-56990 except base & top jaws.									
1577-61000	24"	Spares as 1570-16101. Tee slots in face.									
1577-61010	24"	Drg. A57s/24/212. No details of source chuck.									
1577-61020	24"	Special jaws drg. A4496. No details of source chuck.									
1577-61030	24"	Drg. A7172. Bore 140mm. No details of source chuck.									
1577-61040	24"	Drg. A19065. A2-15 mount. No details of source chuck.									
1577-63000	26"	Mat. list 7245/2. A2-11 mount. No details of source chuck.									
1577-63010	26"	Drg. A16940. Cross-tenon jaws. No details of source chuck.									
1577-63020	26"	Modified 1579-04590. A1-20 mount. Jaws 7579-66005.									
1577-66000	26"	Modified 26" 57 (1570-16601). Tee slots in body.									
1577-66020	26"	Spares as 1578-66990 except screws shortened by 13/16". Special soft jaws 7579-66003.									
1577-71000	28"	Drg. A16849. No details of source chuck. DIN 55022-15 mount. Screws 2577-71001.									
1577-71010	28"	Drg. A14552. Bore 6.75". Screw 2577-71011. No details of source chuck.									
1577-71020	28"	No details of source chuck. Bore 7.5". Screw 2577-71021. Lang FL6 mount.									
1577-71030	28"	No details of source chuck. Bore 7.5". Screw 2577-71031. Lang FL6 mount.									
1577-80000	30"	No details of source chuck. Cross tenon base jaws. Bearing 2577-80000.									
1577-80010	30"	No details of source chuck. Tee slots in body.									
1577-80030	30"	Drg. A19226. A2-15 mount. No details of source chuck.									
1577-80040	30"	Drg. A5729. DIN 55021-15 mount. Cross tenon base & hard top jaws.									
1577-80050	30"	Drg. A18286. 15.25" bore. Screw 2577-80051. A2-20 mount.									
1577-80060	30"	Spares as 1579-04480 except screw (D18816-2).									
1577-92000	36"	Drg. A14938. Special mount. Tee slots in body.									
1577-92010	36"	Drg. A14938. Special mount.									
1577-92000	36"	Drg. A14938. DIN55021-15 mount. Special tee slots in face.									
1577-92030	36"	No details of source chuck. Bore 7.5". Drg. 3044.									
1577-92040	36"	Drg. A17507. No details of source chuck. Langs FL5 jaws.									
1577-92050	36"	Drg. A15208. No details of source chuck. A1-15 mount. whit mounting screws.									
1577-92060	36"	} No details of source chuck. Drg. A13038. Tee slots in body.									
Duplicate record.	}										
1577-92060	36"	} No details of source chuck. Drg. A15208. Bore 9 7/32". A1-15 mount.									



Chuck no./ Model no.	Size	Type	Mount	Hard Jaws (4)	Screw	Bearing	Key	Soft Jaws (4)	Bearing Retainer	Notes
1577-92070	36"	No details of source chuck. Drg. A13038.	D1-11							
1577-92080	36"	No details of source chuck. Drg. A17507.	A2-11							Jaws 7579-92003.
1577-92090	36"	Spares as 1572-79201.	D1-11							mount modified to DIN 55022-11.
1577-92100	36"	Spares as 1579-04260.	13"							recess.
1577-93000	42"	No details of source chuck. Lang FL6.								Drg. 5187.
1577-93010	42"	No details of source chuck. Lang FL6.								Drg. 5187/4.
1577-93020	42"	No details of source chuck.	A1-15							mount.
1577-93040	42"	No details of source chuck.	D1-11							Tee slots in face.
1577-96060	42"	No details of source chuck. Drg. A11626.	A1-11							mount.
1577-93070	42"	No details of source chuck.	Screw 2577-93070.							Bearing 2560-93370.
1577-93075	42"	Spares as 1570-19301.	DIN 55022-11							mount.
1577-94000	48"	No details of source chuck.	A1-15							Drg. A18578.
1577-94010	48"	No details of source chuck. Drg. A18653.	DIN 55021-15 (B)							mount.
1578-26990	10"	4 jaw St. Ind. DSG	D1-6	2550-26601	2550-26365	2550-26370	2550-26395	2550-26606		
1578-31950	12"	4 jaw Steel Ind.	Lang FL1	Obsolete	2578-31953	2578-31954	2550-26395			
1578-31951	12"	4 jaw Steel Ind.	Lang FL2	Obsolete	2578-31953	2578-31954	2550-26395			
1578-31990	12"	4 jaw St. Ind. DSG	D1-6	2550-31601	2550-31365	2550-31370	2550-31395	2550-31606		
1578-35950	14"	4 jaw Steel Ind.	Lang FL2A	Obsolete	2578-35951	2550-31370	2550-31395			
1578-35990	14"	4 jaw St. Ind. DSG	D1-6	2550-35601	2550-35365	2550-31370	2550-31395	2550-35606		
1578-35991	14"	4 jaw St. Ind. DSG	D1-8	2550-35601	2550-35365	2550-31370	2550-31395	2550-35606		
1578-40950	16"	4 jaw Steel Ind.	Lang FL2	7559-35000	0016-55365	2578-40953	2550-31395			No alternative parts for this chuck.
1578-40990	16"	4 jaw St. Ind. DSG	D1-8	2550-46601	2560-40365	2560-40370	2350-38395	2550-46606		
1578-46950	18"	4 jaw Steel Ind.	Lang FL2	7559-46007 †	2578-46952	2350-31370	2350-38395			
1578-46990	18"	4 jaw St. Ind. DSG	D1-8	2550-46601	2550-46365	2550-46370	2350-38395	2550-46606		
1578-46991	18"	4 jaw St. Ind. DSG	D1-11	2550-46601	2550-46365	2550-46370	2350-38395	2550-46606		
1578-51950	20"	4 jaw Steel Ind.	Lang FL3	7559-46007 †	2578-51951	2578-51952	2350-38395			
1578-56990	22"	4 jaw St. Ind. DSG	D1-11	7359-40005 *	2550-56365	2550-61370	2550-92395	2350-40606		† Use jaws 2550-46601 (no tapped holes)
1578-56991	22"	4 jaw Steel Ind.	D1-8	7359-40005 *	2578-56995	2550-61370	2550-92395	2550-76606		
1578-61950	24"	4 jaw Steel Ind.	Lang FL3	7579-61013 §	2578-61952	2660-16370	2550-92395			* Original jaws had tapped holes. Use jaws 2350-40601 (no tapped holes).
1578-61951	24"	4 jaw Steel Ind.	Lang FL4	7579-61013 §	Obsolete	2550-76370	2550-92395			¶ Use 2550-92601 (no tapped holes)
1578-66990	26"	4 jaw St. Ind. DSG	D1-11	7359-56006 §§	2550-66365	2560-76370	2550-92395	2550-92606		
1578-66991	26"	4 j. st. ind. 11" bore, A1-20 DSG		7579-66005 ¶	2578-66994	2560-76370	2550-92395			
1578-71950	28"	4 jaw Steel Ind.	Lang FL4	7559-92007 ¶	2578-71952	2560-76370	2550-92395	2550-92606		§§ Jaws 2550-92601 will fit. Dimensional differences
1578-71956	28"	4 jaw Steel Ind.	Lang FL5	7559-92007 ¶	2578-71954	2560-76370	2550-92395	2550-92606		are: Height 5 3/8"; Length 7 3/4" (no tapped holes).
1578-76950	30"	4 jaw Steel Ind.	Lang FL4	7559-92007 ¶	2578-76951	2560-76370	2550-92395	2550-92606		
1578-76591	30"	4 jaw Steel Ind.	Lang FL5	7559-92007 ¶	2578-76953	2560-76370	2550-92395	2550-92606		§ Use jaws 2350-40601.
1578-76953	30"	4 jaw Steel Ind.	Lang FL3	Obsolete	2578-76958	2660-16370	2550-92395			
1578-76954	30"	Heavy Type	Lang FL4	7559-92007 ¶	2578-76951	2660-16370	2550-92395			** (Jaws 2550-92601 may be used if not utilising
1578-76990	30"	4 jaw St. Ind. DSG	D1-11	7559-92007 ¶	2550-76365	2560-76370	2550-92395	2550-92606		whole bore. Beware! Jaws are considerably shorter).
1578-76992	30"	4 j. st. ind. A1-20 15" bore, DSG		**	2578-76993	2560-76370	2550-92395	2550-92606		Jaws for gripping 5" - 10" dia. 7579-76012
1578-81950	32"	4 jaw Steel Ind.	Lang FL5	7559-92007 ¶	2550-81365	2550-92370	2550-92395	2550-92606		
1578-92950	36"	4 jaw Steel Ind.	Lang FL5	7559-92007 ¶	2550-92365	2550-92370	2550-92395	2550-92606		
1578-93951	42"	4 jaw Steel Ind.	Lang FL4	7359-51000	2560-93365	2560-93370	2350-81395			
1579-00100	30"	4 jaw Steel Ind.	Swifts	2550-92601	2550-76365	2560-76370	2550-92395	2550-92606		
1579-00200	30"	4 jaw st. ind. 15" bore (B&B)		2559-92000 ¶	2579-00002	2560-76370	2550-92395			
1579-03000	30"	4 jaw Steel Ind.	Special	7579-76006	2579-03001	2560-76370	2550-92395			Several jaws supplied. See also 7579-76001 / -76014 & A2/15346-3.
1579-04120	30"	4 jaw Steel Ind. TJ	14.5" bore	see right	2579-04122	2560-76370	2550-92395			Base jaws = 2579-04121; Hard Top jaws = 2970-46608.
1579-04300	28"	4 jaw Steel Ind.	TJ	2970-46608	2579-03501	2550-76370	2550-92395			†† (Shortened screw 2550-71365; Base jaws 2579-04121)

NOTE-Langs jaws were originally manufactured with drilled & tapped holes. These are no longer available.

† Use jaws 2550-46601 (no tapped holes)

\* Original jaws had tapped holes.  
Use jaws 2350-40601 (no tapped holes).

¶ Use 2550-92601 (no tapped holes)

§§ Jaws 2550-92601 will fit. Dimensional differences are: Height 5 3/8"; Length 7 3/4" (no tapped holes).

§ Use jaws 2350-40601.

\*\* (Jaws 2550-92601 may be used if not utilising whole bore. Beware! Jaws are considerably shorter).  
Jaws for gripping 5" - 10" dia. 7579-76012



Chuck no/ Model no.	Size	Type	Mount	Hard Jaws (4)	Screw	Bearing	Key	Soft Jaws (4)	Bearing Retainer	Notes
1579-04320	26"	4 jaw Steel Ind.	TJ A1-20	7579-66005 **	2578-66994	2560-76370	2550-92395			
1579-04380	24"	4 jaw Steel Ind.	A2-11	2350-40601	2579-04381	2550-61370	2550-92395			
1579-04400	24"	4 jaw Steel Ind.	A2-11	2350-40601	2579-04381	2550-61370	2550-92395			
1579-04470	26"	4 jaw Steel Ind.	TJ 16" recess	2970-46608	2579-04471	2560-76370	2550-92395			(Base jaws: 2579-04121; Screws shortened 2550-66365).
1579-04480	30"	4 jaw Steel Ind.	D1-11	7559-92007 ¶	2550-76365	2560-76370	2550-92395	2550-92606		
157A	Size of chuck required to identify spares. Use codes 1560- when known.									(Pratt Steel independent, 'A' type mount).
255D	Size of chuck required to identify spares. Use codes 1550- when known.									(Pratt Iron independent, camlock mount).
257D	Size of chuck required to identify spares. Use codes 1570- when known.									(Pratt Steel independent, camlock mount).
34	6"	4 jaw L/T Ind.	Recess	2540-14601	2540-14365	2540-14370	2540-21395	2540-14606		(Original Burnerd L/T independent).
34M	6"	4 jaw L/T Ind.	Myford	2540-14601	2540-14365	2540-14370	2540-21395	2540-14606		(Original Burnerd L/T independent).
34MR	6"	4 jaw L/T Ind.		2540-14601	2540-14365	2540-14370	2540-21395	2540-14606		(Original Burnerd L/T independent).
34MC	6"	4 jaw L/T Ind.		2540-14601	2540-14365	2540-14370	2540-21395	2540-14606		(Original Burnerd L/T independent).
34SVA	6"	4 jaw Light Type	20W	2540-14601	2540-14365	2540-14370	2540-21395	2540-14606	-	(Schaublin, Switzerland)
34SVB	6"	4 jaw Light Type	25W	2540-14601	2540-14365	2540-14370	2540-21395	2540-14606	-	(Schaublin, Switzerland)
35A	3"	4 jaw L/T Ind.	Recess	2520-08601	2520-08365	-	2520-10395	2520-08606		(Original Burnerd L/T independent).
35B	4"	4 jaw L/T Ind.	Recess	2520-08601	2520-08365	-	2520-10395	2520-08606		(Original Burnerd L/T independent).
35C	4.5"	4 jaw L/T Ind.	Recess	2520-08601	2520-08365	-	2520-10395	2520-08606		(Original Burnerd L/T independent).
355L	Size of chuck required to identify spares. Use codes 1550- when size known.									(Pratt Iron independent, 'L' type mount).
357L	Size of chuck required to identify spares. Use codes 1550- when size known.									(Pratt Steel independent, 'L' type mount).
36	5"	4 jaw L/T Ind.	Recess	2540-14601	2540-14365	2540-14370	2540-21395	2540-14606		(Original Burnerd L/T independent).
36HC	}	6"	4 jaw L/T Ind.	Taper	2540-14601	2540-14365	2540-14370	2540-21395	2540-14606	Hardinge taper mount
36HC		6"	4 jaw L/T Ind.	Taper	Drive Pin = 2588-14069					
36HCX		6"	4 jaw L/T Ind.	Screw	2540-14601	2540-14365	2540-14370	2540-21395	2540-14606	Hardinge screw mount
37		8"	4 jaw L/T Ind.	Recess	2540-21601	2540-21365	2540-21370	2540-21395	2540-21606	(Original Burnerd L/T independent).
37D3		8"	4 jaw L/T Ind.	D1-3	2540-21601	2540-21365	2540-21370	2540-21395	2540-21606	(Original Burnerd L/T independent).
37D4		8"	4 jaw L/T Ind.	D1-4	2540-21601	2540-21365	2540-21370	2540-21395	2540-21606	(Original Burnerd L/T independent).
38		10"	4 jaw L/T Ind.	Recess	2540-26601	2540-26365	2540-26370	2540-26395	2540-26606	(Original Burnerd L/T independent).
3935A	Size of chuck required to identify spares. Use codes 1350 - ... when known.									Steel Ind.(1935) 'A' type mount.
39	6"	Burnerd Ind.	All Spares Obsolete.	}	<div style="border: 2px solid black; padding: 5px;"> <p><b>Models 39 to 44 : Original Burnerd independent chucks BUT may also be of Pratt manufacture e.g. model 41L0.</b></p> <p><b>A serial number, if present, should be obtained to qualify this but note that models 39 to 44 manufactured by Burnerd all had SQUARE punched screws; models N39 to N44 had HEXAGONAL punched screws.</b></p> <p><b>Page 45 details models N39 to N44. Please do not confuse these chuck series'.</b></p> </div>					
40	8"	Burnerd Ind.	All Spares Obsolete.	}						
41	10"	Burnerd Ind.	All Spares Obsolete.	}						
42	12"	Burnerd Ind.	All Spares Obsolete.	}						
43	14"	Burnerd Ind.	All Spares Obsolete.	}						
44	16"	Burnerd Ind.	All Spares Obsolete.	}						
45	18"	Burnerd Ind.	All Spares Obsolete.	}						
46	20"	Burnerd Ind.	All Spares Obsolete.	}						
47	22"	Burnerd Ind.	All Spares Obsolete.	}						
48	24"	Burnerd Ind.	All Spares Obsolete.	}						
49	26"	Burnerd Ind.	All Spares Obsolete.	}						
50	28"	Burnerd Ind.	All Spares Obsolete.	}						

'55' A generic number only, indicating an iron independent chuck. Use chuck nos. 1550-xxxxx when size known.

'56' A generic number only, indicating an SG iron independent chuck. Use chuck nos. 1560-xxxxx when size known.

'57' A generic number only, indicating a steel independent chuck. Use chuck nos. 1570-xxxxx when size known.



Chuck no/ Model no.	Size	Type	Mount	Hard Jaws (4)	Screw	Bearing	Key	Soft Jaws (4)	Bearing Retainer	Notes
6-4	6"	4 jaw Hardinge	Tapered	2230-17608 *	Obsolete	Obsolete	Obsolete	2210-17509 *	-	} * Top Jaws (Drive pin = 2008-16065)
6-4D	6"	4 jaw Hardinge	Threaded	2230-17608 *	Obsolete	Obsolete	Obsolete	2210-17509 *	-	} (Base jaws obsolete)
9350-04001	405mm	4 jaw Steel Ind.	Recess	-	-	-	-	-	-	-
9350-04601	460mm	4 jaw Steel Ind.	Recess	2350-40601	8350-46365	2350-46370	2550-92395	2350-40606	-	-
9350-05101	510mm	4 jaw Steel Ind.	Recess	2350-40601	8350-52365	2350-46370	2550-92395	2350-40606	-	-
9350-06101	610mm	4 jaw Steel Ind.	Recess	2350-51601	8350-61365	2350-61370	2550-92395	2350-51606	8350-61001	-
9350-06601	660mm	4 jaw Steel Ind.	Recess	-	-	-	-	-	-	-
9350-07101	710mm	4 jaw Steel Ind.	Recess	2350-66601	8350-71365	2350-61370	2550-92395	2350-66606	8350-61001	-
9350-08101	810mm	4 jaw Steel Ind.	Recess	2350-66601	8350-81365	2350-61370	2550-92395	2350-66606	8350-61001	-
9350-44001	405mm	4 jaw Steel Ind.	BS 10"	-	-	-	-	-	-	-
9350-44601	460mm	4 jaw Steel Ind.	BS 10"	2350-40601	8350-46365	2350-46370	2550-92395	2350-40606	-	-
9350-55101	510mm	4 jaw Steel Ind.	BS 13"	2350-40601	8350-52365	2350-46370	2550-92395	2350-40606	-	-
9350-56101	610mm	4 jaw Steel Ind.	BS 13"	2350-51601	2350-61365	2350-61370	2550-92395	2350-51606	8350-61001	-
9350-66601	660mm	4 jaw Steel Ind.	BS 14.25"	-	-	-	-	-	-	-
9350-67101	710mm	4 jaw Steel Ind.	BS 14.25"	2350-66601	8350-71365	2350-61370	2550-92395	2350-66606	8350-61001	-
9350-68101	810mm	4 jaw Steel Ind.	BS 14.25"	2350-66601	8350-81365	2350-61370	2550-92395	2350-66606	-	-
9351-54601	460mm	4 jaw Steel Ind.	A2-8"	2350-40601	8350-46365	2350-46370	2550-92395	2350-40606	-	-
9351-55101	510mm	4 jaw Steel Ind.	A2-8"	2350-40601	8350-46365	2350-46370	2550-92395	2350-40606	-	-
9351-56101	610mm	4 jaw Steel Ind.	A2-8"	2350-51601	8350-61365	2350-61370	2550-92395	2350-51606	8350-61001	-
9351-64601	460mm	4 jaw Steel Ind.	A2-11"	2350-40601	8350-46365	2350-46370	2550-92395	2350-40606	-	-
9351-65101	510mm	4 jaw Steel Ind.	A2-11"	2350-40601	8350-52365	2350-46370	2550-92395	2350-40606	-	-
9351-66101	610mm	4 jaw Steel Ind.	A2-11"	2350-51601	8350-61365	2350-61370	2550-92395	2350-51606	8350-61001	-
9351-67101	710mm	4 jaw Steel Ind.	A2-11"	2350-66601	8350-71365	2350-61370	2550-92395	2350-66606	8350-61001	-
9351-68101	810mm	4 jaw Steel Ind.	A2-11"	2350-66601	8350-81365	2350-61370	2550-92395	2350-66606	8350-61001	-
9351-75101	510mm	4 jaw Steel Ind.	A2-15"	2350-40601	8350-52365	2350-46370	2550-92395	2350-40606	-	-
9351-76101	610mm	4 jaw Steel Ind.	A2-15"	2350-51601	2350-61365	2350-61370	2550-92395	2350-51606	8350-61001	-
9351-78101	810mm	4 jaw Steel Ind.	A2-15"	2350-66601	8350-81365	2350-61370	2550-92395	2350-66606	8350-61001	-
9352-54601	460mm	4 jaw Steel Ind.	D1-6	2350-40601	8350-46365	2350-46370	2550-92395	2350-40606	-	-
9352-64601	460mm	4 jaw Steel Ind.	D1-8	2350-40601	8350-46365	2350-46370	2550-92395	2350-40606	-	-
9352-65101	510mm	4 jaw Steel Ind.	D1-8	2350-40601	8350-52365	2350-46370	2550-92395	2350-40606	-	-
9352-66101	610mm	4 jaw Steel Ind.	D1-8	2350-51601	2350-61365	2350-61370	2550-92395	2350-51606	-	-
9352-67101	710mm	4 jaw Steel Ind.	D1-8	2350-66601	8350-71365	2350-61370	2550-92395	2350-66606	8350-61001	-
9352-68101	810mm	4 jaw Steel Ind.	D1-8	2350-66601	8350-81365	2350-61370	2550-92395	2350-66606	8350-61001	-
9352-74601	460mm	4 jaw Steel Ind.	D1-11	2350-40601	8350-46365	2350-46370	2550-92395	2350-40606	-	-
9352-75101	510mm	4 jaw Steel Ind.	D1-11	2350-40601	8350-52365	2350-46370	2550-92395	2350-40606	-	-
9352-76101	610mm	4 jaw Steel Ind.	D1-11	2350-51601	2350-61365	2350-61370	2550-92395	2350-51606	8350-61001	-
9352-77101	710mm	4 jaw Steel Ind.	D1-11	2350-66601	8350-71365	2350-61370	2550-92395	2350-66606	8350-61001	-
9352-78101	810mm	4 jaw Steel Ind.	D1-11	2350-66601	8350-81365	2350-61370	2550-92395	2350-66606	8350-61001	-
9354-54601	460mm	4 jaw Steel Ind.	DIN 8	2350-40601	8350-46365	2350-46370	2550-92395	2350-40606	-	-
9354-55101	510mm	4 jaw Steel Ind.	DIN 8	2350-40601	8350-52365	2350-46370	2550-92395	2350-40606	-	-
9354-56101	610mm	4 jaw Steel Ind.	DIN 8	2350-40601	8350-52365	2350-46370	2550-92395	2350-40606	-	-
9354-64601	460mm	4 jaw Steel Ind.	DIN 11	2350-40601	8350-46365	2350-46370	2550-92395	2350-40606	-	-
9354-65101	510mm	4 jaw Steel Ind.	DIN 11	2350-40601	8350-52365	2350-46370	2550-92395	2350-40606	-	-
9354-65115	510mm	4 jaw Steel Ind.	DIN 11 TJ	2350-40601	8350-52365	2350-46370	2550-92395	2350-40606	-	(Base jaws 2350-40607).
9354-66101	610mm	4 jaw Steel Ind.	DIN 11	2350-40601	8350-52365	2350-46370	2550-92395	2350-40606	-	-
9354-67101	710mm	4 jaw Steel Ind.	DIN 11	2350-66601	8350-71365	2350-61370	2550-92395	2350-66606	-	-
9354-68101	810mm	4 jaw Steel Ind.	DIN 11	2350-66601	8350-81365	2350-61370	2550-92395	2350-66606	8350-61001	-
9354-78101	810mm	4 jaw Steel Ind.	DIN 15	2350-66601	8350-81365	2350-61370	2550-92395	2350-66606	8350-61001	-



Chuck no/ Model no.	Size	Type	Mount	Hard * Jaws (4)	Hard Top Jaws (4)	Screw	Bearing	Key	Soft Jaws (4)	Bearing Retainer	Notes	
TJ = Two-piece jaws.				* -601 jaws are hard reversible.								
				* -607 jaws are base jaws.								
9357-46000	460mm	4 jaw Steel Ind.	140mm rec.	2350-40601	-	8350-46365	2350-46370	2550-92395	2350-40606	-		
9357-46005	460mm	4 jaw Steel Ind.	BS 10"	2350-40601	-	8357-46006	2350-46370	2550-92395	2350-40606	-	Modify screw 8350-46365.	
9357-46010	460mm	4 jaw Steel Ind.	BS 5.25"	2350-40601	-	8350-46365	2350-46370	2550-92395	2350-40606	-		
9357-51000	510mm	No details of source chuck.										
9357-51005	510mm	4 jaw Steel Ind.	A2-15	2350-40601	-	8357-51006	2350-46370	2550-92395	2350-40606	-	Modify screw 8350-52365.	
9357-51010	510mm	4 jaw Steel Ind.	170mm rec.	2350-40601	-	8350-52365	2350-46370	2550-92395	2350-40606	-		
9357-51015	510mm	4 jaw Steel Ind.	11" recess	2350-40601	-	8350-52365	2350-46370	2550-92395	2350-40606	-		
9357-51020	510mm	4 jaw Steel Ind. TJ	Le Blond	2350-40607	2350-40608	8350-51021	2350-46370	2550-92395	2350-40606	-	Modify screw 8350-52365.	
9357-51025	510mm	4 jaw Steel Ind.	200mm bore	2350-40601	-	8357-51026	2350-46370	2550-92395	2350-40606	-	Modify screw 8350-52365.	
9357-51030	510mm	4 jaw Steel Ind.	A2-15	2350-40601	-	8357-51030	2350-46370	2550-92395	2350-40606	-	Modify screw 8350-52365.	
9357-51035	510mm	4 jaw Steel Ind.	13" recess	2350-40601	-	8357-51036	2350-46370	2550-92395	2350-40606	-	Modify screw 8350-52365.	
9357-51040	510mm	4 jaw Steel Ind. TJ	250mm rec.	2350-40607	2350-40608	8350-52365	2350-46370	2550-92395	-	-		
9357-51045	510mm	4 jaw Steel Ind.	BS 10"	2350-40601	-	8350-52365	2350-46370	2550-92395	2350-40606	-		
9357-51050	510mm	4 jaw Steel Ind.	A2-15	2350-40601	-	8357-51051	2350-46370	2550-92395	2350-40606	-	Modify screw 8350-52365	
9357-51060	510mm	4 jaw Steel Ind. TJ	A2-6	2350-40607	2350-40608	8350-52365	2350-46370	2550-92395	-	-		
9357-51070	510mm	4 jaw Steel Ind. TJ	D1-11	2350-40607	2350-40608	8357-51071	2350-46370	2550-92395	-	-	Modify screw 8350-51365	
9357-51080	510mm	4 jaw Steel Ind.	None	2350-40601	-	8350-52365	2350-46370	2550-92395	-	-		
9357-61000	610mm	4 jaw Steel Ind.	A2-11	2350-51601	-	std. ( -3/8" )	2350-61370	2550-92395	2350-51606	-		
9357-61005	610mm	4 jaw Steel Ind.	A2-11	2350-51601	-	8357-61006	2350-61370	2550-92395	2350-51606	-		
9357-61010	610mm	Spares as 9350-06101 but with additional parts.										
9357-61020	610mm	Spares as 9350-06101 but with additional parts.										
9357-61030	610mm	4 jaw Steel Ind.	280mm rec.	2350-51601	-	8350-61365	2350-61370	2550-92395	2350-51606	-		
9357-61035	610mm	4 jaw Steel Ind.	13" recess	2350-51601	-	8350-61365	2350-61370	2550-92395	2350-51606	-		
9357-61040	610mm	4 jaw Steel Ind.	A2-11	2350-51601	-	8357-61041	2350-61370	2550-92395	2350-51606	-	Modify screw 8350-61365	
9357-61050	610mm	4 jaw Steel Ind. TJ	D1-11	2350-51607	2970-46608	8357-61051	2350-46370	2550-92395	-	8350-61001		
9357-61060	610mm	4 jaw Steel Ind.	BS 14.25"	2350-51607	2970-46608	8350-61365	2350-46370	2550-92395	-	8350-61001		
9357-61070	610mm	4 jaw Steel Ind. TJ	D1-11	2350-51607	2970-46608	8357-61071	2350-46370	2550-92395	-	8350-61001	Modify screw 8350-81365	
9357-71000	710mm	4 jaw Steel Ind.	BS 16"	2350-66601	-	shortened by 48mm.		2550-92395	2350-66606	8350-61001	Modify screw 8350-71365.	
9357-71010	710mm	4 jaw Steel Ind.	D1-11	2350-66601	-	8350-71365	2350-61370	2550-92395	2350-66606	8350-61001		
9357-71015	710mm	4 jaw Steel Ind. TJ	A2-20	2350-66607	2970-46608	Modified	2350-61370	2550-92395		8350-61001	Screw = 8350-71365A20	
9357-71020	710mm	4 jaw Steel Ind. TJ	D1-11	2350-66607	2970-46608	8357-71021	2350-61370	2550-92395		8350-61001	Modify screw 8350-81365	
9357-71025	710mm	4 jaw Steel Ind. TJ	D1-11	2350-66607	2970-46608	8357-71026	2350-61370	2550-92395	-	8350-61001		
9357-71030	710mm	4 jaw Steel Ind.	L3	2350-66601	-	8350-71365	2350-61370	2550-92395	2350-66606	8350-61001		
9357-76000	760mm	Spares as 9351-67601.								2550-94606		
9357-76010	710mm	4 jaw Steel Ind. TJ	DIN -20	2350-66607	2970-46608	Modified	2350-61370	2550-92395		8350-61001	Screw = 8350-71365A20	
9357-76020	760mm	4 jaw Steel Ind.	20" recess	2350-66601	-	8359-76011	2350-61370	2550-92395	2350-66606	8350-61001	Modify screw 8350-81365	
9357-81000	810mm	4 jaw Steel Ind.	Special	2350-66601	-	8350-81365	2350-61370	2550-92395	2350-66606	8350-61001		
9357-81010	810mm	4 jaw Steel Ind.	A2-15	2350-66601	-	8357-81011	2350-61370	2550-92395	2350-66606	8350-61001	Modify screw 8350-81365	
9357-81015	810mm	4 jaw Steel Ind. TJ	A2-15	2350-66607	2970-46608	8357-81016	2350-61370	2550-92395			Special screw.	
9357-81020	810mm	4 jaw Steel Ind. TJ	A2-15	2350-66607	2970-46608	8357-81016	2350-61370	2550-92395			Special screw.	
9357-81030	810mm	4 jaw Steel Ind.	6" H7	2350-66601	-	8350-81365	2350-61370	2550-92395	2350-66606	8350-61001		
9357-81040	810mm	4 jaw Steel Ind.	13" recess	2350-66601	-	8357-81041	2350-61370	2550-92395	2350-66606	8350-61001	Modify screw 8350-81365	
9357-81050	810mm	4 jaw Steel Ind.	A2-15	2350-66601	-	8357-81016	2350-61370	2550-92395	2350-66606	8350-61001	Special screw.	
9357-81060	810mm	4 jaw Steel Ind. TJ	A2-20	2350-66607	2970-46608	8357-81061	2350-61370	2550-92395	-	8350-61001		
9357-81070	810mm	4 jaw Steel Ind. TJ	A2-20	2350-66607	2970-46608	8357-81061	2350-61370	2550-92395	-	8350-61001		
9357-81080	810mm	4 jaw Steel Ind. TJ	D1-11	2350-66607	2970-46608	8350-81369	2350-61370	2550-92395	-	8350-61001		
9357-81090	810mm	4 jaw Steel Ind. TJ	D1-11	2350-66607	2970-46608	8357-81091	2350-61370	2550-92395	-	8350-61001	Special screw.	





Chuck no/ Model no.	Size	Type	Mount	Hard * Jaws (4)	Screw	Bearing	Key	Soft Jaws (4)	Bearing Retainer	Notes
TJ = Two-piece jaws.				* -601 jaws are hard reversible.						
				* -607 jaws are base jaws.						
9357-81000	810mm	4 jaw Steel Ind.		2350-66601	8350-81365	2350-61370	2550-92395	2350-66606	8350-61001	
9357-81010	810mm	4 jaw Steel Ind.	A2-15	2350-66601	8357-81011	2350-61370	2550-92395	2350-66606	8350-61001	
9357-81015	810mm	4 jaw Steel Ind. TJ	A2-15	2350-66607	8357-81016	2350-61370	2550-92395	-	8350-61001	(Hard top = 2970-46608)
9357-81020	810mm	4 jaw Steel Ind. TJ	A2-15	2350-66607	8357-81016	2350-61370	2550-92395	-	8350-61001	(Hard top = 2970-46608)
9357-81030	810mm	4 jaw Steel Ind.	6" H7	2350-66601	8350-81365	2350-61370	2550-92395	2350-66606	8350-61001	
9357-81040	810mm	4 jaw Steel Ind.	13" recess	2350-66601	8357-81041	2350-61370	2550-92395	2350-66606	8350-61001	
9357-81050	810mm	4 jaw Steel Ind.	A2-15	2350-66601	8357-81016	2350-61370	2550-92395	2350-66606	8350-61001	
9500-01701	160mm	4 jaw Metric SG Ind.	Recess	2500-17601	2500-17365	2500-17370	2500-17395	2500-17606	2500-17369	-
9500-02001	200mm	4 jaw Metric SG Ind.	Recess	2500-20601	2500-20365	2500-20370	2500-20395	2500-20606	2500-20369	-
9500-02501	250mm	4 jaw Metric SG Ind.	Recess	2500-20601	2500-25365	2500-20370	2500-25395	2500-20606	2500-20369	-
9500-03201	315mm	4 jaw Metric SG Ind.	Recess	2500-32601	2500-32365	2500-32370	2500-32395	2500-32606	2500-32369	-
9500-03501	350mm	4 jaw Metric SG Ind.	Recess	2500-32601	8500-35366	2500-32370	2500-32395	2500-32606	BTM6X10	+ WASHERM6
9500-04001	400mm	4 jaw Metric SG Ind.	Recess	2500-32601	8500-40366	2500-32370	2500-32395	2500-32606	BTM6X10	+ WASHERM6
9500-04101	400mm	4 jaw Metric SG Ind.	Recess	2500-32601	8507-40021	2500-32370	2500-32395	2500-32606	BTM6X10	+ WASHERM6
9500-21701	160mm	4 jaw Metric SG Ind.	BS 5.25"	2500-17601	2500-17365	2500-17370	2500-17395	2500-17606	2500-17369	-
9500-22001	200mm	4 jaw Metric SG Ind.	BS 5.25"	2500-20601	2500-20365	2500-20370	2500-20395	2500-20606	2500-20369	-
9500-32501	250mm	4 jaw Metric SG Ind.	BS 7.5"	2500-20601	2500-25365	2500-20370	2500-25395	2500-20606	2500-20369	-
9500-33201	315mm	4 jaw Metric SG Ind.	BS 7.5"	2500-32601	2500-32365	2500-32370	2500-32395	2500-32606	2500-32369	-
9500-33501	350mm	4 jaw Metric SG Ind.	BS 7.5"	2500-32601	8500-35366	2500-32370	2500-32395	2500-32606	BTM6X10	+ WASHERM6
9500-34001	400mm	4 jaw Metric SG Ind.	BS 7.5"	2500-32601	8500-40366	2500-32370	2500-32395	2500-32606	BTM6X10	+ WASHERM6
9500-43501	350mm	4 jaw Metric SG Ind.	BS10"	2500-32601	8500-35366	2500-32370	2500-32395	2500-32606	BTM6X10	+ WASHERM6
9500-44001	400mm	4 jaw Metric SG Ind.	BS10"	2500-32601	8500-40366	2500-32370	2500-32395	2500-32606	BTM6X10	+ WASHERM6
9501-11701	150mm	4 jaw Metric SG Ind.	A2-3	2500-17601	2500-17365	2500-17370	2500-17395	2500-17606	2500-17369	-
9501-12001	200mm	4 jaw Metric SG Ind.	A2-3	2500-20601	2500-20365	2500-20370	2500-20395	2500-20606	2500-20369	-
9501-21701	160mm	4 jaw Metric SG Ind.	A2-4	2500-17601	2500-17365	2500-17370	2500-17395	2500-17606	2500-17369	-
9501-22001	200mm	4 jaw Metric SG Ind.	A2-4	2500-20601	2500-20365	2500-20370	2500-20395	2500-20606	2500-20369	-
9501-22501	250mm	4 jaw Metric SG Ind.	A2-4	2500-20601	2500-25365	2500-20370	2500-25395	2500-20606	2500-20369	-
9501-23201	315mm	4 jaw Metric SG Ind.	A2-4	2500-32601	2500-32365	2500-32370	2500-32395	2500-32606	2500-32369	-
9501-31701	160mm	4 jaw Metric SG Ind.	A2-5	2500-17601	2500-17365	2500-17370	2500-17395	2500-17606	2500-17369	-
9501-32001	200mm	4 jaw Metric SG Ind.	A2-5	2500-20601	2500-20365	2500-20370	2500-20395	2500-20606	2500-20369	-
9501-32501	250mm	4 jaw Metric SG Ind.	A2-5	2500-20601	2500-25365	2500-20370	2500-25395	2500-20606	2500-20369	-
9501-33201	315mm	4 jaw Metric SG Ind.	A2-5	2500-32601	2500-32365	2500-32370	2500-32395	2500-32606	2500-32369	-
9501-42501	250mm	4 jaw Metric SG Ind.	A2-6	2500-20601	2500-25365	2500-20370	2500-25395	2500-20606	2500-20369	-
9501-43201	315mm	4 jaw Metric SG Ind.	A2-6	2500-32601	2500-32365	2500-32370	2500-32395	2500-32606	2500-32369	-
9501-43501	350mm	4 jaw Metric SG Ind.	A2-6	2500-32601	8500-35366	2500-32370	2500-32395	2500-32606	BTM6X10	+ WASHERM6
9501-52501	250mm	4 jaw Metric SG Ind.	A2-8	2500-20601	2500-25365	2500-20370	2500-25395	2500-20606	2500-20369	-
9501-53201	315mm	4 jaw Metric SG Ind.	A2-8	2500-32601	2500-32365	2500-32370	2500-32395	2500-32606	2500-32369	-
9501-53501	350mm	4 jaw Metric SG Ind.	A2-8	2500-32601	8500-35366	2500-32370	2500-32395	2500-32606	BTM6X10	+ WASHERM6
9501-54001	400mm	4 jaw Metric SG Ind.	A2-8	2500-32601	8500-40366	2500-32370	2500-32395	2500-32606	BTM6X10	+ WASHERM6
9501-63501	350mm	4 jaw Metric SG Ind.	A2-11	2500-32601	8500-35366	2500-32370	2500-32395	2500-32606	BTM6X10	+ WASHERM6
9501-64001	400mm	4 jaw Metric SG Ind.	A2-11	2500-32601	8500-40366	2500-32370	2500-32395	2500-32606	BTM6X10	+ WASHERM6
9502-21701	160mm	4 jaw Metric SG Ind.	D1-3	2500-17601	2500-17365	2500-17370	2500-17395	2500-17606	2500-17369	-
9502-22001	200mm	4 jaw Metric SG Ind.	D1-3	2500-20601	2500-20365	2500-20370	2500-20395	2500-20606	2500-20369	-
9502-31701	160mm	4 jaw Metric SG Ind.	D1-4	2500-17601	2500-17365	2500-17370	2500-17395	2500-17606	2500-17369	-
9502-32001	200mm	4 jaw Metric SG Ind.	D1-4	2500-20601	2500-20365	2500-20370	2500-20395	2500-20606	2500-20369	-
9502-32501	250mm	4 jaw Metric SG Ind.	D1-4	2500-20601	2500-25365	2500-20370	2500-25395	2500-20606	2500-20369	-
9502-33201	315mm	4 jaw Metric SG Ind.	D1-4	2500-32601	2500-32365	2500-32370	2500-32395	2500-32606	2500-32369	-



Chuck no./ Model no.	Size	Type	Mount	Hard Jaws (4)	Screw	Bearing	Key	Soft Jaws (4)	Bearing Retainer	Notes
9502-41701	160mm	4 jaw Metric SG Ind.	D1-5	2500-17601	2500-17365	2500-17370	2500-17395	2500-17606	2500-17369	-
9502-42001	200mm	4 jaw Metric SG Ind.	D1-5	2500-20601	2500-20365	2500-20370	2500-20395	2500-20606	2500-20369	-
9502-42501	250mm	4 jaw Metric SG Ind.	D1-5	2500-20601	2500-25365	2500-20370	2500-25395	2500-20606	2500-20369	-
9502-43201	315mm	4 jaw Metric SG Ind.	D1-5	2500-32601	2500-32365	2500-32370	2500-32395	2500-32606	2500-32369	-
9502-52501	250mm	4 jaw Metric SG Ind.	D1-6	2500-20601	2500-25365	2500-20370	2500-25395	2500-20606	2500-20369	-
9502-53201	315mm	4 jaw Metric SG Ind.	D1-6	2500-32601	2500-32365	2500-32370	2500-32395	2500-32606	2500-32369	-
9502-53501	350mm	4 jaw Metric SG Ind.	D1-6	2500-32601	8500-35366	2500-32370	2500-32395	2500-32606	BTM6X10	+ WASHERM6
9502-62501	250mm	4 jaw Metric SG Ind.	D1-8	2500-20601	2500-25365	2500-20370	2500-25395	2500-20606	2500-20369	-
9502-63201	315mm	4 jaw Metric SG Ind.	D1-8	2500-32601	2500-32366	2500-32370	2500-32395	2500-32606	2500-32369	-
9502-63501	350mm	4 jaw Metric SG Ind.	D1-8	2500-32601	8500-35366	2500-32370	2500-32395	2500-32606	BTM6X10	+ WASHERM6
9502-64001	400mm	4 jaw Metric SG Ind.	D1-8	2500-32601	8500-40366	2500-32370	2500-32395	2500-32606	BTM6X10	+ WASHERM6
9502-73201	315mm	4 jaw Metric SG Ind.	D1-11	2500-32601	2500-32365	2500-32370	2500-32395	2500-32606	2500-32369	-
9502-73501	350mm	4 jaw Metric SG Ind.	D1-11	2500-32601	8500-35366	2500-32370	2500-32395	2500-32606	BTM6X10	+ WASHERM6
9502-74001	400mm	4 jaw Metric SG Ind.	D1-11	2500-32601	8500-40366	2500-32370	2500-32395	2500-32606	BTM6X10	+ WASHERM6
9503-22501	250mm	4 jaw Metric SG Ind.	L0	2500-20601	2500-25365	2500-20370	2500-25395	2500-20606	2500-20369	-
9504-11701	160mm	4 jaw Metric SG Ind.	DIN 3	2500-17601	2500-17365	2500-17370	2500-17395	2500-17606	2500-17369	-
9504-12001	200mm	4 jaw Metric SG Ind.	DIN 3	2500-20601	2500-20365	2500-20370	2500-20395	2500-20606	2500-20369	-
9504-21701	160mm	4 jaw Metric SG Ind.	DIN 4	2500-17601	2500-17365	2500-17370	2500-17395	2500-17606	2500-17369	-
9504-22001	200mm	4 jaw Metric SG Ind.	DIN 4	2500-20601	2500-20365	2500-20370	2500-20395	2500-20606	2500-20369	-
9504-22501	250mm	4 jaw Metric SG Ind.	DIN 4	2500-20601	2500-25365	2500-20370	2500-25395	2500-20606	2500-20369	-
9504-23201	315mm	4 jaw Metric SG Ind.	DIN 4	2500-32601	2500-32365	2500-32370	2500-32395	2500-32606	2500-32369	-
9504-31701	160mm	4 jaw Metric SG Ind.	DIN 5	2500-17601	2500-17365	2500-17370	2500-17395	2500-17606	2500-17369	-
9504-32001	200mm	4 jaw Metric SG Ind.	DIN 5	2500-20601	2500-20365	2500-20370	2500-20395	2500-20606	2500-20369	-
9504-32501	250mm	4 jaw Metric SG Ind.	DIN 5	2500-20601	2500-25365	2500-20370	2500-25395	2500-20606	2500-20369	-
9504-33201	315mm	4 jaw Metric SG Ind.	DIN 5	2500-32601	2500-32365	2500-32370	2500-32395	2500-32606	2500-32369	-
9504-42501	250mm	4 jaw Metric SG Ind.	DIN 6	2500-20601	2500-25365	2500-20370	2500-25395	2500-20606	2500-20369	-
9504-43201	315mm	4 jaw Metric SG Ind.	DIN 6	2500-32601	2500-32365	2500-32370	2500-32395	2500-32606	2500-32369	-
9504-43501	350mm	4 jaw Metric SG Ind.	DIN 6	2500-32601	8500-35366	2500-32370	2500-32395	2500-32606	BTM6X10	+ WASHERM6
9504-52501	250mm	4 jaw Metric SG Ind.	DIN 8	2500-20601	2500-25365	2500-20370	2500-20395	2500-20606	2500-20369	-
9504-53201	315mm	4 jaw Metric SG Ind.	DIN 8	2500-32601	2500-32365	2500-32370	2500-32395	2500-32606	2500-32369	-
9504-53501	350mm	4 jaw Metric SG Ind.	DIN 8	2500-32601	8500-35366	2500-32370	2500-32395	2500-32606	BTM6X10	+ WASHERM6
9504-54001	400mm	4 jaw Metric SG Ind.	DIN 8	2500-32601	8500-40366	2500-32370	2500-32395	2500-32606	BTM6X10	+ WASHERM6
9504-63501	350mm	4 jaw Metric SG Ind.	DIN 11	2500-32601	8500-35366	2500-32370	2500-32395	2500-32606	BTM6X10	+ WASHERM6
9504-64001	400mm	4 jaw Metric SG Ind.	DIN 11	2500-32601	8500-40366	2500-32370	2500-32395	2500-32606	BTM6X10	+ WASHERM6
9507-17000	160mm	4 jaw Metric SG Ind.	D1-4	2500-17601	2500-17365	2500-17370	2500-17395	2500-17606	-	-
9507-20000	200mm	4 jaw Metric SG Ind.	G' Meister	2500-20601	2500-20365	2500-20370	2500-20395	2500-20606	-	-
9507-20005	200mm	4 jaw Metric SG Ind.	D1-6	2500-20601	2500-20365	2500-20370	2500-20395	2500-20606	-	-
9507-20015	200mm	4 jaw Metric SG Ind.	6" recess	2500-20601	2500-20365	2500-20370	2500-20395	2500-20606	-	-
9507-25010	250mm	4 jaw Metric SG Ind.	Churchill	2500-20601	2500-25365	2500-20370	2500-25395	2500-20606	-	-
9507-32000	315mm	4 jaw Metric SG Ind.	G' Meister	2500-32601	2500-32365	2500-32370	2500-32395	2500-32606	-	-
9507-32010	315mm	4 jaw Metric SG Ind.		2500-32601	2507-32061	2500-32370	2500-32395	2500-32606	-	-
9507-32015	315mm	4 jaw Metric SG Ind.	80mm bore	2500-32601	8507-32016	2500-32370	2500-32395	2500-32606	-	-
9507-32020	315mm	4 jaw Metric SG Ind.	M70-4	2500-32601	2500-32365	2500-32370	2500-32395	2500-32606	-	-
9507-35000	350mm	4 jaw Metric SG Ind.	D1-8	2500-32601	8507-35001	2500-32370	2500-32395	2500-32606	BTM6X10	+ WASHERM6
9507-35010	350mm	4 jaw Metric SG Ind.	Mitchell 8"	2500-32601	8500-35366	2500-32370	2500-32395	2500-32606	BTM6X10	+ WASHERM6
9507-35015	350mm	4 jaw Metric SG Ind.	110 bore	2500-32601	8507-35016	2500-32370	2500-32395	2500-32606	BTM6X10	+ WASHERM6
9507-40000*	400mm	4 jaw (3 9/16" bore )	D1-11	2500-32601	8507-40001	2500-32370	2500-32395	2500-32606	BTM6X10	+ WASHERM6
9507-40005	400mm	4 jaw Metric SG Ind.	9.5" recess	2500-32601	8500-40366	2500-32370	2500-32395	2500-32606	BTM6X10	+ WASHERM6



Chuck no/ Model no.	Size	Type	Mount	Hard Jaws (4)	Screw	Bearing	Key	Soft Jaws (4)	Bearing Retainer	Notes
9507-40010	400mm	4 jaw Metric SG Ind.	D1-8	2500-32601	8507-40001	2500-32370	2500-32395	2500-32606	BTM6X10	+ WASHERM6
9507-40015*	400mm	4 jaw (3 9/16" bore)	Recess	2500-32601	8507-40001	2500-32370	2500-32395	2500-32606	BTM6X10	+ WASHERM6
9507-40020*	400mm	4 jaw (105mm bore)	D1-11	2500-32601	8507-40021	2500-32370	2500-32395	2500-32606	BTM6X10	+ WASHERM6
9507-40030*	400mm	4 jaw (105mm bore)	Recess	2500-32601	8507-40021	2500-32370	2500-32395	2500-32606	BTM6X10	+ WASHERM6
* 9507-40000 / 40015 / 40020 / 40030 superseded by 9500-04101, + adaptor if appropriate, June 2002.										
9550-15001	500mm	4 jaw Iron Ind.	Recess	8550-50601	8550-50365	8550-50370	8550-50395	8550-50606	}	
9550-15015	500mm	4 jaw Iron Ind. TJ	Recess		8550-50365	8550-50370	8550-50395		}	
9550-16001	600mm	4 jaw Iron Ind.	Recess	8550-60601	8550-60365	8550-60370	8550-60395	8550-60606	}	
9550-17001	700mm	4 jaw Iron Ind.	Recess	8550-70601	8550-70365	8550-70370	8550-70395	8550-70606	}	
9550-18001	800mm	4 jaw Iron Ind.	Recess	8550-70601	8550-80365	8550-70370	8550-70395	8550-70606	}	
9550-19001	900mm	4 jaw Iron Ind.	Recess	8550-70601	8550-90365	8550-90370	8550-70395	8550-70606	}	
9550-19501	1000mm	4 jaw Iron Ind.	Recess	8550-70601	8550-95365	8550-90370	8550-70395	8550-70606	}	
9557-60000	600mm	Modified Amestra chuck (9550-16001) to suit Stanley lathes. No spares available.							}	
9570-15001	500mm	4 jaw Steel Ind.	Recess	8550-50601	8550-50365	8550-50370	8550-50395	8550-50606	}	
9570-16001	600mm	4 jaw Steel Ind.	Recess	8550-60601	8550-60365	8550-60370	8550-60395	8550-60606	}	
9570-17001	700mm	4 jaw Steel Ind.	Recess	8550-70601	8550-70365	8550-70370	8550-70395	8550-70606	}	
9570-18001	800mm	4 jaw Steel Ind.	Recess	8550-70601	8550-80365	8550-70370	8550-70395	8550-70606	}	
9570-19001	900mm	4 jaw Steel Ind.	Recess	8550-70601	8550-90365	8550-90370	8550-70395	8550-70606	}	
9570-19501	1000mm	4 jaw Steel Ind.	Recess	8550-70601	8550-95365	8550-90370	8550-70395	8550-70606	}	
A16389	16"	4 jaw Independent	Mitchell	2550-35601	2568-40221	2550-31370	2550-31395	2550-35606		
A16668	16"	4 jaw Independent	Mitchell	2550-35601	2568-40201	2550-40370	2550-31395	2550-35606		
A4231/B	20"	4 jaw Independent	Mitchell	2550-46601	2550-51365	2550-51370	2350-38395	2550-46606		
B37D3	8"	4 jaw L/T Ind.	D1-3	2540-21601	2540-21365	2540-21370	2540-21395	2540-21606		
B37D4	8"	4 jaw L/T Ind.	D1-4	2540-21601	2540-21365	2540-21370	2540-21395	2540-21606		
B5994/1	16"	4 jaw Independent	Mitchell	2550-35601	2568-40201	2550-40370	2550-31395	2550-35606		
B6901	14"	4 jaw Independent	Mitchell	2550-35601	2550-35366	2550-31370	2550-31395	2550-35606		
C0301	10"	4 jaw Steel Ind.								
C0302	12"	4 jaw Independent	Lang FL2	7559-26000	* 2578-31955	2578-31954	2550-26395			* Use jaws 2550-26601 ( no tapped holes )
C0303	16"	4 jaw Independent	Lang FL2	7559-35000	† 2568-40201	2578-40953	2550-31395			
C0304	16"	4 jaw Independent	Lang FL3	7559-35000	† 2578-40954	2578-40953	2550-31395			† Use jaws 2550-35601 (no tapped holes)
C0305	18"	4 jaw Independent	Lang FL2	7559-46007	# 2578-46952	2350-31370	2350-38395			
C0306	18"	4 jaw Independent	Lang FL3	7559-46007	# 2578-46953	2350-31370	2350-38395			# Use jaws 2550-46601 (no tapped holes)
C0307	20"	4 jaw Independent	Lang FL3	7559-46007	# 2578-51951	2578-51952	2350-38395			# Use jaws 2550-46601 (no tapped holes)
C0308	20"	4 jaw Independent	Lang FL4	7559-46007	# 2578-51954	2578-51952	2350-38395			§ Use jaws 2560-61601 (no tapped holes)
C0309	24"	4 jaw Independent	Lang FL3	7579-61013	§ 2578-61952	2660-16370	2550-92395			
C0310	24"	4 jaw Independent	Lang FL4	7579-61013	§ 2578-61954	2550-76370	2550-92395			
C0311	24"	4 jaw Independent	Lang FL4	7579-61013	§ 2578-61954	2550-76370	2550-92395			
C0312	24"	4 jaw Independent	Lang FL5	7579-61013	§ 2578-61956	2550-76370	2550-92395			
C0314	28"	4 jaw Independent	Lang FL5	7559-92007	* 2578-71954	2560-76370	2550-92395			
C0315	28"	4 jaw Independent	Lang FL6	7559-92007	* 2578-71956	2560-76370	2550-92395			
C0316	30"	4 jaw Independent	Lang FL4				2550-92395			
C0318	30"	4 jaw Independent	Lang FL6	7559-92007	* 2578-76955	2560-76370	2550-92395			
C0319	36"	4 jaw Independent	Lang FL5	7559-92007	* 2550-92365	2550-92370	2550-92395			
C0320	36"	4 jaw Independent	Lang FL6	7559-92007	* 2578-92952	2550-92370	2550-92395			
Mitchell	16"	4 jaw Drg. 5994/1	8" recess	2550-35601	2568-40201	2550-40370	2550-31395			
M68	2.5"	4 jaw Independent		Spares obsolete.						

Chucks coded 9550- and 9570- were, in general, manufactured by Amestra, France. Few, if any, details are available from records at Pratt Burnerd.

\* Note jaws 7559-92007 are obsolete. Use 2550-92601 (no tapped holes) (Can also use 7579-66005, 1/4" shorter)



Chuck no./ Model no.	Size	Type	Mount	Hard Jaws (4)	Screw	Bearing	Key	Soft Jaws (4)	Notes
N39	6"	4 jaw Independent	Recess	2550-16601	2550-16365	2550-16370	2500-17395	2550-16606	}
N39D3	6"	4 jaw Independent	D1-3	2550-16601	2550-16365	2550-16370	2500-17395	2550-16606	}
N39L00	6"	4 jaw Independent	L00	2550-16601	2550-16365	2550-16370	2500-17395	2550-16606	}
N40	8"	4 jaw Independent	Recess	2550-21601	2550-21365	2550-21370	2550-21395	2550-21606	} Models N39 to N44 :
N41	10"	4 jaw Independent	Recess	2550-26601	2550-26365	2550-26370	2550-26395	2550-26606	} Chucks were stamped with Burnerd model number
N41L0	10"	4 jaw Independent	L0	2550-26601	2550-26365	2550-26370	2550-26395	2550-26606	} but have a Pratt serial number. All were manufactured
N42	12"	4 jaw Independent	Recess	2550-31601	2550-31365	2550-31370	2550-31395	2550-31606	} at Halifax and are equivalent to '55' range.
N42L0	12"	4 jaw Independent	L0	2550-31601	2550-31365	2550-31370	2550-31395	2550-31606	} All have hexagonal punched screws.
N43	14"	4 jaw Independent	Recess	2550-35601	2550-35365	2550-31370	2550-31395	2550-35606	} (See also models 39 to 44 on page 40).
N43L1	14"	4 jaw Independent	L1	2550-35601	2550-35365	2550-31370	2550-31395	2550-35606	}
N44	16"	4 jaw Independent	Recess	2550-35601	2568-40201	2550-40370	2550-31395	2550-35606	}
N44D6	16"	4 jaw Independent	D1-6	2550-35601	2568-40201	2550-40370	2550-31395	2550-35606	}
N44D8	16"	4 jaw Independent	D1-8	2550-35601	2568-40201	2550-40370	2550-31395	2550-35606	}
SG42D6	12"	4 jaw Independent	D1-6	2550-31601	2550-31365	2550-31370	2550-31395	2550-31606	
SG43	14"	4 jaw Independent	Recess						
SG44	16"	4 jaw Independent	Recess	2550-35601	2568-40201	2550-40370	2550-31395	2550-35606	} Pratt manufacture
SG44D8	16"	4 jaw Independent	D1-8	2550-35601	2568-40201	2550-40370	2550-31395	2550-35606	} Pratt manufacture
TITAN	32"	4 jaw Steel HD Ind.	Model 1935. Originally supplied with two-piece jaws. No longer available.						



## MISCELLANEOUS &amp; OLD INDEPENDENT CHUCKS:

(Use to identify old serial numbers prior to the use of catalogue numbers).

Size / model / Drawing no.	Type	Mount	Hard Jaws (4)	Screw	Bearing	Key	Soft Jaws (4)	Notes
-------------------------------	------	-------	------------------	-------	---------	-----	------------------	-------

Many of the chucks below (to 16") were fitted with square thread parts. If the chuck has acme thread parts, see chuck no. in R.H. column.

Chucks were not usually stamped with both the size and model number but many were stamped with the model number only i.e. '57'.

ALL the chucks below were of PRATT manufacture.

4" 54	Light Type (Pratt)	Recess	(All Spares Obsolete)					(Pratt manufacture)
4.5" 55	4 jaw Iron Ind.	Recess	(All Spares Obsolete)					(Pratt manufacture)
5" 54	Light Type (Pratt)	Recess	(All Spares Obsolete)					(Pratt manufacture)
5" 55	4 jaw Iron Ind.	Recess	(All Spares Obsolete)					(Pratt manufacture)
6" 54	Light Type (Pratt)	Recess	(All Spares Obsolete)					(Pratt manufacture)
6" 55	4 jaw Iron Ind.	Recess	Obsolete	Obsolete	2550-16370	2550-16395	Obsolete	If acme parts, see 1550-11601
6" 56	4 jaw SG Iron Ind.	Recess	Obsolete	Obsolete	2550-16370	2550-16395	Obsolete	If acme parts, see 1560-11601
6" 57	4 jaw Steel Ind.	Recess	Obsolete	Obsolete	2550-16370	2550-16395	Obsolete	If acme parts, see 1570-11601
6" 1935	4 jaw Super Duty	Recess	Obsolete	Obsolete	2550-16370	2500-17395	Obsolete	If acme parts, see 1350-21601
6.5" 55	4 jaw Iron Ind.	Recess	Obsolete	Obsolete	2550-16370	2500-17395	Obsolete	
8" 55	4 jaw Iron Ind.	Recess	Obsolete	Obsolete	2550-21370	2550-21395	Obsolete	If acme parts, see 1550-12101
8" 56	4 jaw SG Iron Ind.	Recess	Obsolete	Obsolete	2550-21370	2550-21395	Obsolete	If acme parts, see 1560-12101
8" 57	4 jaw Steel Ind.	Recess	Obsolete	Obsolete	2550-21370	2550-21395	Obsolete	If acme parts, see 1570-12101
8" 1935	4 jaw Super Duty	Recess	Obsolete	Obsolete	2350-21370	2550-21395	Obsolete	If acme parts, see 1350-22101
8" Steel ind. (Holbrook) 2726/1		D1-4						
9" 55	4 jaw Iron Ind.	Recess	Obsolete	Obsolete	2550-23370	2550-21395	Obsolete	If acme parts, see 1550-12301
9" 57	4 jaw Steel Ind.	Recess	Obsolete	Obsolete	2550-23370	2550-21395	Obsolete	If acme parts, see 1570-12301
9" 1935	4 jaw Super Duty	Recess	Obsolete	Obsolete	2350-26370	2550-26395	Obsolete	If acme parts, see 1350-32301
10" 55	4 jaw Iron Ind.	Recess	Obsolete	Obsolete	2550-26370	2550-26395	Obsolete	If acme parts, see 1550-12601
10" 56	4 jaw SG Iron Ind.	Recess	Obsolete	Obsolete	2550-26370	2550-26395	Obsolete	If acme parts, see 1560-12601
10" 57	4 jaw Steel Ind.	Recess	Obsolete	Obsolete	2550-26370	2550-26395	Obsolete	If acme parts, see 1570-12601
10" 1935	4 jaw Super Duty	Recess	Obsolete	Obsolete	2350-26370	2550-26395	Obsolete	If acme parts, see 1350-32601
10" DSG A2634/1A	4 jaw Steel Ind.	D1-6	2550-26601	2550-26365	2550-26370	2550-26395	2550-26606	
11" DSG 4209	4 jaw Steel Ind.		No details					
12" 55	4 jaw Iron Ind.	Recess	Obsolete	Obsolete	2550-31370	2550-31395	Obsolete	If acme parts, see 1550-13101
12" 56	4 jaw SG Iron Ind.	Recess	Obsolete	Obsolete	2550-31370	2550-31395	Obsolete	If acme parts, see 1560-13101
12" 57	4 jaw Steel Ind.	Recess	Obsolete	Obsolete	2550-31370	2550-31395	Obsolete	If acme parts, see 1570-13101
12" 1935	4 jaw Super Duty	Recess	Obsolete	Obsolete	2350-31370	2350-38395	Obsolete	If acme parts, see 1350-33101
12" DSG 2778	4 jaw Steel Ind.		2550-31601	2550-31365	2550-31370	2550-31395	2550-31606	
12" DSG 3972/1	4 jaw Steel Ind.	D1-6	2550-31601	2550-31365	2550-31370	2550-31395	2550-31606	
14" 55	4 jaw Iron Ind.	Recess	Obsolete	Obsolete	2550-31370	2550-31395	Obsolete	If acme parts, see 1550-13501
14" 56	4 jaw SG Iron Ind.	Recess	Obsolete	Obsolete	2550-31370	2550-31395	Obsolete	If acme parts, see 1560-13501
14" 57	4 jaw Steel Ind.	Recess	Obsolete	Obsolete	2550-31370	2550-31395	Obsolete	If acme parts, see 1570-13501
14" DSG4444/1	4 jaw Steel Ind.		7559-35000	2550-35366		2550-31395	Obsolete	
14" DSG 5633	4 jaw Steel Ind.		7559-35000	Obsolete	2550-31370	2550-31395	Obsolete	
14" DSG A15170	4 jaw Steel Ind.	D1-6	2550-35601	2550-35365	2550-31370	2550-31395	2550-35606	
14" DSG 5672	4 jaw Steel Ind.	D1-8	2550-35601	2550-35365	2550-31370	2550-31395	2550-35606	
15" 55	4 jaw Iron Ind.	Recess	Obsolete	Obsolete	2550-40370	2550-31395	Obsolete	If acme parts, see 1570-13801
15" 57	4 jaw Steel Ind.	Recess	Obsolete	Obsolete	2550-40370	2550-31395	Obsolete	If acme parts, see 1570-13801
15" 1935	4 jaw Super Duty	Recess	Obsolete	Obsolete	2350-38370	2350-38395	Obsolete	If acme parts, see 1350-43801



## MISCELLANEOUS &amp; OLD INDEPENDENT CHUCKS:

continued prior to the use of catalogue numbers).

Size / model Drawing no.	Type	Mount	Hard Jaws (4)	Screw	Bearing	Key	Soft Jaws (4)	Notes
16" 55	4 jaw Iron Ind.	Recess	Obsolete	Obsolete	2550-40370	2550-31395	Obsolete	If acme parts, see 1550-14001
16" 56	4 jaw SG Iron Ind.	Recess	Obsolete	Obsolete	2550-40370	2550-31395	Obsolete	If acme parts, see 1560-14001
16" 57	4 jaw Steel Ind.	Recess	Obsolete	Obsolete	2550-40370	2550-31395	Obsolete	If acme parts, see 1570-14001
16" 1935	4 jaw Super Duty	Recess	Obsolete	Obsolete	2550-61370	2550-92395	Obsolete	If acme parts, see 1350-44001
16" DSG 6299A	4 jaw Steel Ind.	D1-8	2550-46601	2560-40365	2560-40370	2350-38395	2550-46606	
16" DSG 4240	4 jaw Steel Ind.		2350-40601			2350-38395	2350-40606	Jaws originally had tapped holes.
16" DSG 2210	4 jaw Steel Ind.	No details	7559-35000			2550-31395		
16" DSG 4442	4 jaw Steel Ind.		2550-46601	2560-40365	2350-31370	2350-38395	2550-46606	Jaws originally had tapped holes.
16" DSG 5634	4 jaw Steel Ind.		2550-46601	2560-40365	2350-31370	2350-38395	2550-46606	Jaws originally had tapped holes.
17" 55	4 jaw Iron Ind.	Recess	2550-46601	2550-43365	2550-46370	2350-38395	2550-46606	
17" 57	4 jaw Steel Ind.	Recess	2550-46601	2550-43365	2550-46370	2350-38395	2550-46606	
18" 55	4 jaw Iron Ind.	Recess	2550-46601	2550-46365	2550-46370	2350-38395	2550-46606	
18" 56	4 jaw SG Iron Ind.	Recess	2550-46601	2550-46365	2550-46370	2350-38395	2550-46606	
18" 57	4 jaw Steel Ind.	Recess	2550-46601	2550-46365	2550-46370	2350-38395	2550-46606	
18" DSG 4441/2	4 jaw Steel Ind.		2550-46601	Short 18" 55	2550-46370	2350-38395	2550-46606	Jaws originally had tapped holes.
18" DSG 5635	4 jaw Steel Ind.		2550-46601	2550-46365	2550-46370	2350-38395	2550-46606	Jaws originally had tapped holes.
18" DSG 7215	4 jaw Steel Ind.	D1-8	2550-46601	2550-46365	2550-46370	2350-38395	2550-46606	
18" DSG 7266	4 jaw Steel Ind.	D1-11	2550-46601	2550-46365	2550-46370	2350-38395	2550-46606	
18" DSG 5123	4 jaw Steel Ind.	No details		2550-46365		2350-38395		
20" 55	4 jaw Iron Ind.	Recess	2550-46601	2550-51365	2550-51370	2350-38395	2550-46606	
20" 56	4 jaw SG Iron Ind.	Recess	2550-46601	2550-51365	2550-51370	2350-38395	2550-46606	
20" 57	4 jaw Steel Ind.	Recess	2550-46601	2550-51365	2550-51370	2350-38395	2550-46606	
20" 1935	4 jaw Super Duty	BS 13"	2350-51601	2350-51367	2350-51373	2550-92395	2350-51606	
20" DSG 2201	4 jaw Steel Ind.	No details			2660-16370			
22" 55	4 jaw Iron Ind.	Recess	2350-40601	2550-56365	2550-61370	2550-92395	2350-40606	
22" 57	4 jaw Steel Ind.	Recess	2350-40601	2550-56365	2550-61370	2550-92395	2350-40606	
22" 1935	4 jaw Super Duty	Recess	2350-56601	2350-56365	2350-56370	2550-92395	2350-56606	
22" DSG 4608/1	4 jaw Steel Ind.		2350-40601	Short 22" 55	2550-61370	2550-92395	2350-40606	Jaws originally had tapped holes.
22" DSG 4440/3	4 jaw Steel Ind.		2350-40601	2350-56365	2550-61370	2550-92395	2350-40606	Jaws originally had tapped holes.
22" DSG 7255B	4 jaw Steel Ind.	D1-11	2350-40601	2550-56365	2550-61370	2550-92395	2350-40606	
24" 55	4 jaw Iron Ind.	Recess	2350-40601	2550-61365	2550-61370	2550-92395	2350-40606	
24" 56	4 jaw SG Iron Ind.	Recess	2350-40601	2550-61365	2550-61370	2550-92395	2350-40606	
24" 57	4 jaw Steel Ind.	Recess	2350-40601	2550-61365	2550-61370	2550-92395	2350-40606	
24" 1935	4 jaw Super Duty	BS 13"	2350-51601	2350-61365	2350-61370	2550-92395	2350-51606	
24" DSG 4178	4 jaw Steel Ind.				2680-26370	2550-92395		
24" DSG 7172	4 jaw Steel Ind.	D1-11	2560-61601	2550-61365	2550-61370	2550-92395	2560-61606	
25" 1935	4 jaw Super Duty	Recess	2350-56601	2350-63365	2350-56370	2550-92395	2350-56606	
26" 55	4 jaw Iron Ind.	Recess	2350-40601	2550-66365	2550-76370	2550-92395	2350-40606	
26" 57	4 jaw Steel Ind.	Recess	2350-40601	2550-66365	2550-76370	2550-92395	2350-40606	
26" 1935	4 jaw Super Duty	Recess	2350-66601	2350-66365	2350-66370	2550-92395	2350-66606	
26" DSG 4610/1	4 jaw Steel Ind.		2550-92601		2560-76370	2550-92395	2550-92606	Jaws originally had tapped holes.
26" DSG 6801	4 jaw Steel Ind.		7579-66005	Short 26" 57	2560-71370	2550-92395		Jaws originally had tapped holes.
26" DSG 7245/2	4 jaw Steel Ind.	D1-11	2550-92601	2550-66365	2560-76370	2550-92395	2550-92606	Jaws originally had tapped holes.



## MISCELLANEOUS &amp; OLD INDEPENDENT CHUCKS: continued (Use to identify old serial numbers prior to the use of catalogue numbers).

Size / model Drawing no.	Type	Mount	Hard Jaws (4)	Screw	Bearing	Key	Soft Jaws (4)	Notes
28" 55	4 jaw Iron Ind.	Recess	2350-40601	2550-71365	2550-76370	2550-92395	2350-40606	
28" 56	4 jaw SG Iron Ind.	Recess	2350-40601	2550-71365	2550-76370	2550-92395	2350-40606	
28" 57	4 jaw Steel Ind.	Recess	2350-40601	2550-71365	2550-76370	2550-92395	2350-40606	
28" 1935	4 jaw Super Duty	Recess	2350-66601	2350-71365	2350-66370	2550-92395	2350-66606	
30" 55	4 jaw Iron Ind.	Recess	2350-40601	2550-76365	2550-76370	2550-92395	2350-40606	
30" 56	4 jaw SG Iron Ind.	Recess	2350-40601	2550-76365	2550-76370	2550-92395	2350-40606	
30" 57	4 jaw Steel Ind.	Recess	2350-40601	2550-76365	2550-76370	2550-92395	2350-40606	
30" DSG 4611/1	4 jaw Steel Ind.		2550-92601	Short 30" 55	2560-76370	2550-92395	2550-92606	Jaws originally had tapped holes.
30" DSG 7244/2	4 jaw Steel Ind.	D1-11	2550-92601	2550-76365	2550-76370	2550-92395	2550-92606	Jaws originally had tapped holes.
30" Swifts 4142/1	4 jaw Steel Ind.	Recess	2550-92601	2550-76365	2560-76370	2550-92395	2550-92606	
32" 55	4 jaw Iron Ind.	Recess	2550-92601	2550-81365	2550-92370	2550-92395	2550-92606	
32" 57	4 jaw Steel Ind.	Recess	2550-92601	2550-81365	2550-92370	2550-92395	2550-92606	
32" 1935	4 jaw Super Duty	Recess	2350-81601	2350-81365	2350-81370	2350-81395	2350-81606	
36" 55	4 jaw Iron Ind.	Recess	2550-92601	2550-92365	2550-92370	2550-92395	2550-92606	
36" 56	4 jaw SG Iron Ind.	Recess	2550-92601	2550-92365	2550-92370	2550-92395	2550-92606	
36" 57	4 jaw Steel Ind.	Recess	2550-92601	2550-92365	2550-92370	2550-92395	2550-92606	
42" 55	4 jaw Iron Ind.	Recess	2350-66601	2550-92365	2550-93370	2550-92395	2350-66606	
42" 56	4 jaw SG Iron Ind.	Recess	2350-81601	2560-93365	2550-93370	2350-81395	2350-81606	
42" 57	4 jaw Steel Ind.	Recess	2350-81601	2560-93365	2560-93370	2350-81395	2350-81606	
48" 55	4 jaw Iron Ind.	Recess	2350-66601	2550-94365	2550-93370	2550-92395	2350-66606	
48" 56	4 jaw SG Iron Ind.	Recess	2350-81601	2560-94365	2560-93370	2350-81395	2350-81606	
48" 57	4 jaw Steel Ind.	Recess	2350-81601	2560-94365	2560-93370	2350-81395	2350-81606	



Chuck no./ Model no.	Size	Type	Mount	Base Jaws (4)	Hard Jaws	Scroll	Screw	Pinion (Pin Type)	Pinion (Circ. type)	Pinion Pin	Circlip	Key
-------------------------	------	------	-------	------------------	--------------	--------	-------	----------------------	------------------------	---------------	---------	-----

**COMBINATION CHUCKS:**

1600-32401	9.5"	3 Jaw Combination	Recess	2600-24619	2550-26601	2980-24300	2600-24365	2600-24350	2600-24351	2980-17355	2980-24348	2550-26395
(Use 3 only)												
1600-33101	12"	3 Jaw Combination	Recess	2600-31619	2550-31601	2980-31300	2600-31365	2600-31350	2600-31351	2980-31355	2980-24348	2550-31395
(Use 3 only)												
1600-43801	15"	3 Jaw Combination	Recess	2600-38619	2550-46601	2980-38300	2600-38365	2600-38350	2600-38351	2980-31355	2980-38348	2350-38395
( use 3 only )												
1600-44601	18"	3 Jaw Combination	Recess	2600-46619	2350-40601	2980-46300	2600-46365	2600-46350	2600-46351	2980-46355	2980-38348	2350-40395
(Use 3 only)												
1610-32401	9.5"	4 Jaw Combination	Recess	2610-24619	2550-26601	2980-24300	2600-24365	2600-24350	2600-24351	2980-17355	2980-24348	2550-26395
1610-33101	12"	4 Jaw Combination	Recess	2610-31619	2550-31601	2980-31300	2600-31365	2600-31350	2600-31351	2980-31355	2980-24348	2550-31395
1610-43801	15"	4 Jaw Combination	Recess	2610-38619	2550-46601	2980-38300	2600-38365	2600-38350	2600-38351	2980-31355	2980-38348	2350-38395
1610-44601	18"	4 Jaw Combination	Recess	2610-46619	2350-40601	2980-46300	2600-46365	2600-46350	2600-46351	2980-46355	2980-38348	2350-40395

**FACEPLATE JAWS :**

			Hard Jaws	Screw	Bearing	Key	Soft Jaws
1660-91601	6"	Model 66	2660-16601	2660-16365	2660-16370 *	2550-92395	
1680-91651	6"	Single	2660-16601	2660-16365	2660-16370 *	2550-92395	
1680-92151	8"	Single	2680-21601	2680-21365	2660-16370 *	2550-92395	
1680-92651	10"	Single	2680-26601	2680-26365	2680-26370	2550-92395	
1690-91651	6"	Double	2660-16601	2670-16365	2660-16370 *	2550-92395	
1690-92151	8"	Double	2680-21601	2690-21365 §	2660-16370 *	2550-92395	
1690-92651	10"	Double	2680-26601	2680-31365	2690-26370	2550-92395	2550-94606
1690-93151	12"	Double	2680-26601	2680-35365	2690-26370	2550-92395	2550-94606
1710-00951	3.5"	Light Duty	2550-21601	2550-23365	2710-09370	2550-21395	2550-21606

\* Shortened 2550-61370 (- 5/32").

§ Use 2550-61365 shortened. (Will not be double-punched as original faceplate screw).

**VICES:**

	3"	4.5"	6"	8"
<b>PLAIN VICE</b>	1430-08010	-	-	-
<b>SPILLWAY VICE</b>	-	1420-12010	1420-16010	1420-20010
<b>SWIVEL BASE</b>	1430-08020	1420-12020	1420-16020	1420-20020
<b>Moving Jaw</b>	-	2420-12471	2420-16471	2420-20471
<b>Thrust Bracket</b>	-	2420-12472	-	2420-20472
<b>Handle</b>	2430-08473	2410-12473	2410-16473	2410-20473
<b>Jaw Plate (soft) ea.</b>	2430-08474	2420-12474	2420-16474	2420-20474
<b>Jaw Plate (hard) ea.</b>	-	2420-12482	2420-16482	2420-20482
<b>Jaw Plate Screw (UNF)</b>	-	CS0.313UNF0.750	CS0.313UNF0.750	CS0.438UNF1.125
<b>Shaft</b>	-	2420-12475	2410-16475	2410-20475
<b>Primary Nut</b>	-	2410-12476	2410-16476	2410-20476
<b>Secondary Nut</b>	-	2410-12477	2410-16477	2410-20477
<b>Gib Strip</b>	-	2420-12478	2420-16478	2410-20478
<b>Spring</b>	-	2410-12479	2410-16479	2410-20479
<b>Circlip</b>	-	5108-125	5108-150	5100-150
<b>Swivel Spigot</b>	-	2410-12481	2410-16481	2410-20481
<b>Thrust Collar (Plain)</b>	2430-08484	-	-	-
<b>Thrust Collar (Screwed)</b>	2430-08483	-	-	-





	6.5"	7.5"	9.5"	12"	15"	18"	21"	24"
<b>Soft Top Jaw (serrated). As Tudor.</b>	2980-17512	2980-19512	2980-24512	2980-31512	2980-38512	2980-46512	2980-46512	2980-63512
<b>Hard Top Jaws (serrated). As Tudor.</b>	2980-17611	2980-19611	2980-24611	2980-31611	2980-38611	2980-46611	2980-46611	2980-63611
<b>Base Jaws, serr. (set 3)</b>	2030-17610	2030-19610	2030-24610	2030-31610	2030-38610	2030-46610	2030-53610	2030-61610
<b>Base Jaws, serr. (set 2)</b>	2020-17610	2020-19610	2020-24610	2020-31610	2020-38610	2020-46610	2020-53610	2020-61610
<b>Tee Nut (compatible with Tudor)</b>	2980-17590	2980-19590	2980-24590	2980-31590	2980-38590	2980-46590	2980-46590	2980-63590
<b>Base Jaws, amer. (set 3)</b>	2030-17607	2030-19607	2030-24607	2030-31607	2030-38607	2030-46607	2030-46607	2030-61607
<b>Base Jaws, amer. (set 2)</b>	2020-17607	2020-19607	2020-24607	2020-31607	2020-38607	2020-46607	2020-46607	2020-61607
<b>Sleeve (3 jaw)</b>	2030-17760	2030-16760	2030-24760	2030-31760	2030-38760	2030-46760	2030-53760	2030-61760
<b>Sleeve (2 jaw)</b>	2020-17760	2020-19760	2020-24760	2020-31760	2020-38760	2020-46760	2020-53760	2020-61760
<b>Sleeve Screw</b>	2030-17765	2030-19765	2030-24765	2030-31765	2030-38765	2030-46765	2030-46765	2030-61765
<b>Pilot Bush (3 jaw)</b>	2030-17770	2030-19770	2030-24770	2030-31770	2030-38770	2030-46770	2030-46770	2030-61770
<b>Pilot Bush (2 jaw)</b>	2020-17770	2020-19770	2020-24770	2020-31770	2020-38770	2020-46770	2020-46770	2020-61770
<b>Lever Pin (Body)</b>	2030-17787	2030-19787	2030-24787	2030-31787	2030-38787	2030-46787	2030-46787	2030-61787
<b>Toggle Levers (set 3)</b>	2030-17750	2030-19750	-	-	-	-	-	-
<b>Toggle Lever assembly, comprising: Lever, Pin and Lever Block (Sleeve), Pin and Lever Block (Jaw).</b>	-	-	2030-24792	2030-31792	2030-38792	2030-46792	2030-46792	2030-61792
<b>Lever block (jaw) only</b>	-	-	2030-24790	2030-31790	2030-38790	2030-46790	2030-46790	2030-61790
<b>Lever Block (Sleeve) only</b>	-	-	2030-24791	2030-31791	2030-38791	2030-46791	2030-46791	2030-61791
<b>Lever Block Pin (Jaw)</b>	-	-	2030-24785	2030-31785				
<b>Lever Block Pin (Sleeve)</b>	-	-	2030-24786	2030-31786				

n.b. Toggle Lever assemblies for 9.5" to 24" chucks are single units only.

Tudor top jaws are interchangeable with toggle lever top jaws but are slightly smaller in width and height. Tee nuts are also compatible.

All other spares for Toggle Lever chucks are now completely obsolete.



Chuck no.	Size	Type	Mount	Base	Hard Top	Soft Top	Tee Nut	Tee Nut	Cover	Pilot	Sleeve
				Jaws (3)	Jaws (3)	Jaw (ea)	Screw	Plate	Bush		
1140-21707	160mm	3 jaw	Recess	2140-17607	-	2160-17509	2160-17591	CAM8X20	2140-17771	-	2140-17760
1140-21710	160mm	3 jaw	Recess	2140-17610	2160-17611	2160-17512	2160-17591	CAM8X20	2140-17771	-	2140-17760
1140-22107	200mm	3 jaw	Recess	2140-21607	-	2160-21509	2160-21591	CAM10X20	2140-21771	-	2140-21760
1140-22110	200mm	3 jaw	Recess	2140-21610	2160-26611	2160-21512	2160-21591	CAM10X20	2140-21771	-	2140-21760
1140-32607	250mm	3 jaw	Recess	2140-26607	-	2160-26509	2160-26591	CAM12X25	2140-26771	-	2140-26760
1140-32610	250mm	3 jaw	Recess	2140-26610	2160-26611	2160-26512	2160-26591	CAM12X25	2140-26771	-	2140-26760
1140-33207	315mm	3 jaw	Recess	2140-32607	-	2160-32509	2160-32591	CAM14X25	2140-32771	-	2140-32760
1140-33210	315mm	3 jaw	Recess	2140-32610	2160-32611	2160-32512	2160-32591	CAM14X25	2140-32771	-	2140-32760
1141-41707	160mm	3 jaw	A1-6	2140-17607	-	2160-17509	2160-17591	CAM8X20	2140-17771	-	2140-17760
1141-42107	200mm	3 jaw	A1-6	2140-21607	-	2160-21509	2160-21591	CAM10X20	2140-21771	-	2140-21760
1141-42110	200mm	3 jaw	A1-6	2140-21610	2160-21611	2160-21512	2160-21591	CAM10X20	2140-21771	-	2140-21760
1141-52107	200mm	3 jaw	A1-8	2140-21607	-	2160-21509	2160-21591	CAM10X20	2140-21771	-	2140-21760
1141-52110	200mm	3 jaw	A1-8	2140-21610	2160-21611	2160-21512	2160-21591	CAM10X20	2140-21771	-	2140-21760
1141-52607	250mm	3 jaw	A1-8	2140-26607	-	2160-26509	2160-26591	CAM12X25	2140-26771	-	2140-26760
1141-52610	250mm	3 jaw	A1-8	2140-26610	2160-26611	2160-26512	2160-26591	CAM12X25	2140-26771	-	2140-26760
1160-11007	100mm	3 jaw	3.5" Recess	2160-11607	-	2160-10509 *	-	-	2160-11771	-	2160-17760
						* single screw fitment, 5/16" unc x 3/4".					
1160-21707	160mm	3 jaw	BS 5.25"	2160-17607	-	2160-17509	-	CAM8X20	2160-11771	-	2160-17760
1160-21710	160mm	3 jaw	BS 5.25"	2160-17610	2160-17611	2160-17512	2160-17591	CAM8X20	2160-11771	-	2160-17760
1160-22107	200mm	3 jaw	BS 5.25"	2160-21607	-	2160-21509	-	CAM10X20	2160-21771	-	2160-21760
1160-22110	200mm	3 jaw	BS 5.25"	2160-21610	2160-21611	2160-21512	2160-21591	CAM10X20	2160-21771	-	2160-21760
1160-32607	250mm	3 jaw	BS 7.5"	2160-26607	-	2160-26509	-	CAM12X25	2160-26770	-	2160-26760
1160-32610	250mm	3 jaw	BS 7.5"	2160-26610	2160-26611	2160-26512	2160-26591	CAM12X25	2160-26771	-	2160-26760
1160-33207	315mm	3 jaw	BS 7.5"	2160-32607	-	2160-32509	-	CAM14X25	2160-32771	-	2160-32760
1160-33210	315mm	3 jaw	BS 7.5"	2160-32610	2160-32611	2160-32512	2160-32591	CAM14X25	2160-32771	-	2160-32760
1160-44007	400mm	3 jaw	BS 10"	2160-44007	-	2160-40509	-	CAM16X30	2160-40771	-	2160-40760
1160-44010	400mm	3 jaw	BS 10"	2160-40610	2160-40611	2160-40512	2160-40591	CAM16X30	2160-40771	-	2160-40760
1160-75107	500mm	3 jaw	BS 16"	2160-51607	-	2160-51509	-	CAM20X45	2160-51771	-	2160-51760
1160-75110	500mm	3 jaw	BS 16"	2160-51610	2160-51611	2160-51512	2160-51591	CAM20X45	2160-51771	-	2160-51760
1160-76307	630mm	3 jaw	Recess	2160-63607	-	2160-51509	-	CAM20X45	2160-63771	-	2160-63760
1160-76310	630mm	3 jaw	Recess	2160-63610	2160-51611	2160-51512	2160-51591	CAM20X45	2160-63771	-	2160-63760
1167-10000	160mm	3.5" rec.	3.5" rec.	Parts generally as 1160-11007							
1167-17000	160mm	5.625" rec.	5.625" rec.	Parts generally as 1160-21710							
1167-17010	160mm	3 jaw	BS 5.25"	2167-17012			2160-17591	CAM8X20	2167-17011	-	2160-17760
1167-17020	160mm	3 jaw	BS 5.25"	2167-17012			2160-17591	CAM8X20	2167-17011	-	2160-17760
1167-17030	160mm	3 jaw	BS 5.25"	2167-17012			2160-17591	CAM8X20	2167-17011	-	2160-17760
1167-17040	160mm	3 jaw	BS 5.25"	2167-17012			2160-17591	CAM8X20	2167-17011	-	2160-17760
1167-17050	160mm	3 jaw	BS 5.25"	2167-17012			2160-17591	CAM8X20	2167-17011	-	2160-17760
1167-17060	160mm	3 jaw	BS 5.25"	2167-17012			2160-17591	CAM8X20	2167-17011	-	2160-17760
1167-17070	160mm	DIN 55021-5	DIN 55021-5	Parts generally as 1160-21710							
1167-17080	160mm	3 jaw	BS 5.25"	Parts generally as 1160-21710							
1167-17090	160mm	3 jaw	BS 5.25"	Parts generally as 1160-21710							
1167-17100	160mm	3 jaw	BS 5.25"	Parts generally as 1160-21710 (except sleeve screw 2167-47101)							
1167-17110	160mm	3 jaw	BS 5.25"	Parts generally as 1160-21707 . Special hard top jaws.							
1167-17120	160mm	3 jaw	BS 5.25"	Parts generally as 1160-21710 except sleeve screw.							
1167-17130	160mm	3 jaw	BS 5.25"	Parts generally as							
1167-17150	160mm	3 jaw	A1-5	Parts generally as 1160-21710 except special soft top, cover plate; modified base jaws.							
1167-17160	160mm	3 jaw	A1-5	Parts generally as 1160-21710 except special base jaws & tee nuts							



Chuck no.	Size	Type	Mount	Base Jaws (3)	Hard Top Jaws (3)	Soft Top Jaw (ea)	Tee Nut	Tee Nut Screw	Cover Plate	Pilot Bush	Sleeve
1167-17170	160mm	3 jaw CCWT	A1-5	Parts generally as		1160-21707 except sleeve screw.					
1167-17180	160mm	3 jaw CCWT	A2-6	Parts generally as		1160-21710 (special body)					
1167-17190	160mm	3 jaw CCWT	BS 5.25"	Parts generally as		1160-21710 except sleeve screw.					
1167-17200	160mm	3 jaw CCWT	BS 5.25"+A1-5	Parts generally as		1160-21710 except sleeve screw.					
1167-17210	160mm	3 jaw CCWT	Spec. mount	Parts generally as		1160-21707 (hard top jaws 2167-47211)					
1167-20000	7 7/8"	3 jaw CCWT	6" recess	(Mostly modified parts)							
1167-21000	200mm	3 jaw CCWT	Spec. mount	(Mostly modified parts)							
1167-21010	200mm	3 jaw CCWT	Spec. mount	Parts generally as		1160-21710					
1167-21020	200mm	3 jaw CCWT	Spec. mount	(Mostly modified parts)							
1167-21030	7 7/8"	3 jaw CCWT		Parts generally as		1160-22107					
1167-21040	200mm	3 jaw CCWT	Spec. mount	(Mostly modified parts)							
1167-21060	200mm	3 jaw CCWT	BS 5.25"	Parts generally as		1160-22110 except base jaws & cover plate modified					
1167-21070	200mm	3 jaw CCWT	BS 5.25"	Parts generally as		1160-22110 except base jaws & cover plate modified					
1167-21080	200mm	3 jaw CCWT	BS 5.25"	Parts generally as		1160-22110 except base jaws & cover plate modified					
1167-21090	200mm	3 jaw CCWT	BS 5.25"	Parts generally as		1160-22110 except base jaws & cover plate modified					
1167-21100	200mm	3 jaw CCWT	BS 5.25"	Parts generally as		1160-22107 except base jaws & cover plate modified					
1167-21110	200mm	3 jaw CCWT	BS 5.25"	Parts generally as		1160-22107 except base jaws & cover plate modified					
1167-21120	200mm	3 jaw CCWT	Spec. mount	Parts generally as		1160-22110					
1167-21130	200mm	3 jaw CCWT	Spec. mount	(Mostly modified parts)							
1167-21140	7 7/8"	3 jaw CCWT	Spec. mount	(Mostly modified parts)							
1167-21150	200mm	3 jaw CCWT	DIN 55021-8	Contact PBI							
1167-21160	200mm	3 jaw CCWT	BS 5.25"	Parts generally as		1160-22110					
1167-21170	200mm	3 jaw CCWT	DIN 55021-6	Parts generally as		1160-22107					
1167-21180	200mm	3 jaw CCWT	5.75" recess	Parts generally as		1160-22110					
1167-21190	200mm	3 jaw CCWT	BS 5.25"	Parts generally as		1160-22110 with special top jaws.					
1167-21200	200mm	3 jaw CCWT	BS 5.25"	Parts generally as		1160-22110 except special base jaws.					
1167-21210	200mm	3 jaw CCWT		Parts generally as		1160-22110 (Mostly modified parts)					
1167-26000	250mm	3 jaw CCWT	2.75"-6TPI	Parts generally as		1160-32610 (Mostly modified parts)					
1167-26010	250mm	3 jaw CCWT	BS7.5"	Parts generally as		1160-32610 (modified base jaws & cover plate)					
1167-26020	250mm	3 jaw CCWT	BS7.5"	Parts generally as		1160-32610 (modified base jaws & cover plate)					
1167-26030	250mm	3 jaw CCWT	BS7.5"	Parts generally as		1160-32610 (modified base jaws & cover plate)					
1167-26040	250mm	3 jaw CCWT	BS7.5"	Parts generally as		1160-32610 (modified base jaws & cover plate)					
1167-26050	250mm	3 jaw CCWT	BS7.5"	Parts generally as		1160-32607 (modified base jaws & cover plate)					
1167-26060	250mm	3 jaw CCWT	BS7.5"	Parts generally as		1160-32607 (modified base jaws & cover plate)					
1167-26070	250mm	3 jaw CCWT	BS 7.5"	Parts generally as		1160-32610					
1167-26080	250mm	3 jaw CCWT	BS 7.5"	Parts generally as		1160-32607					
1167-26090	250mm	3 jaw CCWT	BS 7.5"	Parts generally as		1160-32610 See also 1167-26170.					
1167-26100	250mm	3 jaw CCWT	A1-8	Parts generally as		1160-32607 ( spec. hard top, modified sleeve screw)					
1167-26110	250mm	3 jaw CCWT	Spec. mount	Parts generally as		1160-32607					
1167-26120	250mm	3 jaw CCWT	A1-6	Parts generally as		1160-32607					
1167-26130	250mm	3 jaw CCWT	BS 7.5"	Parts generally as		1160-32610					
1167-26140	250mm	3 jaw CCWT	BS 7.5"	Parts generally as		1160-32607					
1167-26150	250mm	3 jaw CCWT	A2-6	Parts generally as		1160-32610 (spec. base jaws & tee nuts)					
1167-26160	250mm	3 jaw CCWT	A1-8	Parts generally as		1160-32610					
1167-26170	250mm	3 jaw CCWT	BS 7.5"	Parts generally as		1160-32610					
1167-26180	250mm	3 jaw CCWT	BS 5.25"	Parts generally as		1160-32610					
1167-26190	250mm	3 jaw CCWT	BS 5.25"	Parts generally as		1169-02880					
1167-26200	250mm	3 jaw CCWT		Parts generally as		1160-32610 ?					



Chuck no.	Size	Type	Mount	Base Jaws (3)	Hard Top Jaws (3)	Soft Top Jaw (ea)	Tee Nut	Tee Nut Screw	Cover Plate	Pilot Bush	Sleeve
1167-31000	315mm	3 jaw CCWT	A1-8	(Mostly modified parts)							
1167-32000	315mm	3 jaw CCWT	A1-6	Parts generally as		1160-32610					
1167-32010	315mm	3 jaw CCWT	BS 7.5"	Parts generally as		1160-33207					
1167-32030	315mm	3 jaw CCWT	BS 7.5"	Parts generally as		1160-33210					
1167-32050	315mm	3 jaw CCWT	BS 7.5"	Parts generally as		1160-33210					
1167-32060	315mm	3 jaw CCWT	BS 7.5"	Parts generally as		1160-33210					
1167-32070	315mm	3 jaw CCWT	BS 7.5"	Parts generally as		1160-33207					
1167-32080	315mm	3 jaw CCWT	235mm recess	Parts generally as		1160-33210					
1167-32090	315mm	3 jaw CCWT	BS 7.5"	Parts generally as		1160-33210					
1167-32100	315mm	3 jaw CCWT	BS 7.5"	Parts generally as		1160-33210					
1167-32110	315mm	3 jaw CCWT	A1-6	Parts generally as		1160-33210					
1167-32120	315mm	3 jaw CCWT	A1-6	Parts generally as		1160-33207					
1167-32140	315mm	3 jaw CCWT	A1-8	Parts generally as		1160-33207	(spec. base & top jaws)				
1167-32160	315mm	3 jaw CCWT	A1-8	Parts generally as		1160-33210					
1167-32170	315mm	3 jaw CCWT	A1-8	Parts generally as		1160-33210					
1167-32180	315mm	3 jaw CCWT	A1-8 Husky }		7179-32003)	2160-32512	2160-32591		2160-32770		2160-32760
1167-32180	315mm	3 jaw CCWT	A1-8 Husky }		7179-32004)						
1167-32190	315mm	3 jaw CCWT	Ohmiya OSM2	Parts generally as		1160-33210					
1167-32200	315mm	3 jaw CCWT	A2-8	Parts generally as		1160-33210					
1167-32210	315mm	3 jaw CCWT	BS 7.5"	Parts generally as		1160-33210	(special base jaws & tee nuts)				
1167-32220	315mm	3 jaw CCWT	A1-8	Parts generally as		1160-33210	(special base jaws & tee nuts)				
1167-32230	315mm	3 jaw CCWT	D1-8	Parts generally as		1160-33210					
1167-32240	315mm	3 jaw CCWT	BS 7.5"	Parts generally as		1168-32970					
1167-32250	315mm	3 jaw CCWT	A2-8	Parts generally as		1160-33210					
1167-40010	400mm	3 jaw CCWT	BS 10"	Parts generally as		1160-44010					
1167-40020	400mm	3 jaw CCWT	BS 10"	Parts generally as		1160-44010					
1167-40030	400mm	3 jaw CCWT	BS 10"	Parts generally as		1160-44010					
1167-40040	400mm	3 jaw CCWT	BS 10"	Parts generally as		1160-44010					
1167-40050	400mm	3 jaw CCWT	BS 10"	Parts generally as		1160-44007					
1167-40060	400mm	3 jaw CCWT	BS 10"	Parts generally as		1160-44007					
1167-40080	400mm	3 jaw CCWT	BS 10"	Parts generally as		1160-44010	(Spec. dustproof parts)				
1167-40090	400mm	3 jaw CCWT	BS 10"	Parts generally as		1160-44010					
1167-40100	15.5"	3 jaw CCWT	A1-8	Parts generally as		1160-44010	(reduced base jaws)				
1167-44010	400mm	3 jaw CCWT	BS 10"	Parts generally as		1160-44010					
1167-40120	400mm	3 jaw CCWT	BS 10"	Parts generally as		1160-44007					
1167-40130	400mm	3 jaw CCWT	BS 10"	Parts generally as		1160-44007					
1167-40140	400mm	3 jaw CCWT	Spec.recess	Parts generally as		1160-44007					
1167-40150	400mm	3 jaw CCWT	BS 10"	Parts generally as		1160-44010	(Ward long sleeve)				
1167-40160	400mm	3 jaw CCWT	A1-8	Parts generally as		1160-44010					
1167-40170	400mm	3 jaw CCWT	BS 10"	Parts generally as		1160-44010	(Spec. 2mm pitch base jaws)				
1167-40180	400mm	3 jaw CCWT	A1-8	Parts generally as		1160-44010					
1167-40190	400mm	3 jaw CCWT	A2-11	(Mostly modified parts)							
1167-40200	400mm	3 jaw CCWT	DIN 11	Parts generally as		1160-44010					
1167-40210	400mm	3 jaw CCWT	A2-11	Parts generally as		1160-44010					
1167-40220	400mm	3 jaw CCWT	A2-11	(Mostly modified parts)							
1167-40230	400mm	3 jaw CCWT	A2-8	Parts generally as		1160-44010					
1167-40240	400mm	3 jaw CCWT	D1-8	Parts generally as		1167-40190					



Chuck no.	Size	Type	Mount	Base Jaws (3)	Hard Top Jaws (3)	Soft Top Jaw (ea)	Tee Nut	Tee Nut Screw	Cover Plate	Pilot Bush	Sleeve
1167-40250	400mm	3 jaw CCWT	BS 7.5"	Parts generally as 1167-40190							
1167-40260	400mm	3 jaw CCWT	A2-11	Parts generally as 1167-40190							
1167-40270	400mm	3 jaw CCWT		Parts generally as 1167-40190							
1167-43000	17.5"	3 jaw CCWT		Spec. 20" base jaws							
1167-46000	18"	3 jaw CCWT									
1167-51000	500mm	3 jaw CCWT	BS 16"	Parts generally as 1160-75110					(special base jaws, cover plate)		
1167-51010	500mm	3 jaw CCWT	BS 16"	Parts generally as 1160-75110					(special base jaws, cover plate)		
1167-51020	500mm	3 jaw CCWT	BS 16"	Parts generally as 1160-75110					(special base jaws, cover plate)		
1167-51030	500mm	3 jaw CCWT	BS 16"	Parts generally as 1160-75110					(special base jaws, cover plate)		
1167-51040	500mm	3 jaw CCWT	BS 16"	Parts generally as 1160-75107					(special base jaws, cover plate)		
1167-51050	500mm	3 jaw CCWT	BS 16"	Parts generally as 1160-75107					(special base jaws, cover plate)		
1167-51060	500mm	3 jaw CCWT	A1-11	Parts generally as 1160-75107					(special base jaws)		
1167-51070	500mm	3 jaw CCWT	A1-11	Parts generally as 1160-75110							
1167-51080	500mm	3 jaw CCWT	BS 16"	Parts generally as 1160-75107							
1167-51090	500mm	3 jaw CCWT	DIN 55021-11								
1167-51100	500mm	3 jaw CCWT	A1-11	Parts generally as 1160-75110							
1167-51120	500mm	3 jaw CCWT	Special	Parts generally as 1160-75110							
1167-51130	500mm	3 jaw CCWT	D1-11	Parts generally as 1160-75110							
1167-51140	500mm	3 jaw CCWT	A1-11	Parts generally as 1160-75110							
1167-51150	500mm	3 jaw CCWT	A1-11	Parts generally as 1160-75110							
1167-51160	500mm	3 jaw CCWT	DIN 11	Parts generally as 1160-75110							
1167-51170	500mm	3 jaw CCWT	A1-11	Parts generally as 1160-75107							
1167-63000	630mm	3 jaw CCWT	BS 16"	Parts generally as 1160-76310							
1167-63010	630mm	3 jaw CCWT	BS 16"	Parts generally as 1160-76310							
1167-63020	630mm	3 jaw CCWT	BS 16"	Parts generally as 1160-76310							
1167-63030	630mm	3 jaw CCWT	BS 16"	Parts generally as 1160-76310							
1167-63040	630mm	3 jaw CCWT	BS 16"	Parts generally as 1160-76310							
1167-63050	630mm	3 jaw CCWT	BS 16"	Parts generally as 1160-76310							
1167-63060	630mm	3 jaw CCWT	A1-11	Parts generally as 1160-76310							
1167-63070	630mm	3 jaw CCWT	DIN 55021-11	Parts generally as 1160-76310							
1167-63080	630mm	3 jaw CCWT	A1-11	Parts generally as 1160-76310							
1167-63100	630mm	3 jaw CCWT	D1-11	Parts generally as 1160-76310							
1167-63110	630mm	3 jaw CCWT	A1-11	Parts generally as 1160-76310							
1167-63150	630mm	3 jaw CCWT	A2-11	(Mostly modified parts)							
1169-00600	315mm	3 jaw CCWT	A1-8	2169-00602							
1170-21707	160mm	3 jaw O.C.W.T.	Recess	2170-17607	-	2160-17509	2160-17591	CAM8X20	-	2170-17770	2170-17760
1170-21710	160mm	3 jaw O.C.W.T.	Recess	2170-17610	2160-17611	2160-17512	2160-17591	CAM8X20	-	2170-17770	2170-17760
1170-22107	200mm	3 jaw O.C.W.T.	Recess	2170-21607	-	2160-21509	2160-21591	CAM10X20	-	2170-21770	2170-21760
1170-22110	200mm	3 jaw O.C.W.T.	Recess	2170-21610	2160-21611	2160-21512	2160-21591	CAM10X20	-	2170-21770	2170-21760
1170-32607	250mm	3 jaw O.C.W.T.	Recess	2170-26607	-	2160-26509	2160-26591	CAM12X25	-	2170-26770	2170-26760
1170-32610	250mm	3 jaw O.C.W.T.	Recess	2170-26610	2160-26611	2160-26512	2160-26591	CAM12X25	-	2170-26770	2170-26760
1170-43207	315mm	3 jaw O.C.W.T.	Recess	2170-32607	-	2160-32509	2160-32591	CAM14X25	-	2170-32770	2170-32760
1170-43210	315mm	3 jaw O.C.W.T.	Recess	2170-32610	2160-32611	2160-32512	2160-32591	CAM14X25	-	2170-32770	2170-32760
1170-54007	400mm	3 jaw O.C.W.T.	Recess	2170-40607	-	2160-40509	2160-40591	CAM16X30	-	2170-40770	2170-40760
1170-54010	400mm	3 jaw O.C.W.T.	Recess	2170-40610	2160-40611	2160-40512	2160-40591	CAM16X30	-	2170-40770	2170-40760
1170-75107	500mm	3 jaw O.C.W.T.	Recess	2170-51607	-	2160-51509	2160-51591	CAM20X45	-	2170-51770	2170-51760



Chuck no.	Size	Type	Mount	Base	Hard Top	Soft Top	Tee Nut	Tee Nut	Cover	Pilot	Sleeve
				Jaws (3)	Jaws (3)	Jaw (ea)		Screw	Plate	Bush	
1170-75110	500mm	O.C.W.T.	Recess	2170-51610	2160-51611	2160-51512	2160-51591	CAM20X45	-	2170-51770	2170-51760
1170-76307	630mm	O.C.W.T.	Recess	2170-63607	-	2160-51509	2160-51591	CAM20X45	-	2170-63770	2170-63760
1170-76310	630mm	O.C.W.T.	Recess	2170-63610	2160-51611	2160-51512	2160-51591	CAM20X45	-	2170-63770	2170-63760
1177-17000	160mm	3j OCWT	BS5.25"	2170-17610	2160-17611	2160-17512	2160-17591	CAM8X20	-	2170-17770	2170-17760
1177-17010	160mm	3j OCWT	BS5.25"	2170-17610	2160-17611	2160-17512	2160-17591	CAM8X20	-	2170-17770	2170-17760
1177-17020	160mm	3j OCWT	DIN 55021-5	2170-17610	2160-17611	2160-17512	2160-17591	CAM8X20	-	2170-17770	2170-17760
1177-17030	160mm	3j OCWT	BS5.25"	2170-17610	2160-17611	2160-17512	2160-17591	CAM8X20	-	2170-17770	2170-17760
1177-17040	160mm	3j OCWT	BS5.25"	2170-17610	2160-17611	2160-17512	2160-17591	CAM8X20	-	2170-17770	2170-17760
1177-17050	160mm	3j OCWT	D1-4	2170-17610	2160-17611	2160-17512	2160-17591	CAM8X20	-	2170-17770	2170-17760
1177-17060	160mm	3j OCWT	D1-4	2170-17610	2160-17611	2160-17512	2160-17591	CAM8X20	-	2170-17770	2170-17760
1177-17070	160mm	3j OCWT	D1-4	2170-17607	-	2160-17509	2160-17591	CAM8X20	-	2170-17770	2170-17760
1177-17090	160mm	3j OCWT	BS5.25"	2170-17610	2160-17611	2160-17512	2160-17591	CAM8X20	-	2170-17770	2170-17760
1177-17100	160mm	3j OCWT	D1-3	2170-17610	2160-17611	2160-17512	2160-17591	CAM8X20	-	2170-17770	2170-17760
1177-17110	160mm	3j OCWT	BS5.25"	2170-17610	2160-17611	2160-17512	2160-17591	CAM8X20	2177-17110	2170-17770	2170-17760
1177-21000	200mm	3j OCWT	BS5.25"								
1177-21010	200mm	3j OCWT	6" recess								
1177-21020	200mm	3j OCWT	BS5.25"	2170-21610	2160-21611	2160-21512	2160-21591	CAM10X20	-	2170-21770	2170-21760
1177-21030	200mm	3j OCWT	BS5.25"	2170-21610	2160-21611	2160-21512	2160-21591	CAM10X20	-	2170-21770	2170-21760
1177-21040	200mm	3j OCWT	BS5.25"	2170-21610	2160-21611	2160-21512	2160-21591	CAM10X20	-	2177-21042	2179-00001
1177-21050	200mm	3j OCWT	BS5.25"	2170-21610	2160-21611	2160-21512	2160-21591	CAM10X20	-	2170-21770	2170-21760
1177-21060	see 1167-21150.										
1177-21070	200mm	3j OCWT	BS5.25"	2170-21610	2160-21611	2160-21512	2160-21591	CAM10X20	-	2170-21770	2170-21760
1177-21080	200mm	3j OCWT	BS5.25"	2170-21610	2160-21611	2160-21512	2160-21591	CAM10X20	-	2170-21770	2170-21760
1177-21090	200mm	3j OCWT	A1-6"	7179-21010			7179-21011				
1177-21100	200mm	3j OCWT	A1-5"	7179-21010			7179-21011				
1177-21110	200mm	3j OCWT	BS5.25"	2170-21610	2160-21611	2160-21512	2160-21591	CAM10X20	-	2170-21770	2170-21760
1177-21120	200mm	3j OCWT	BS5.25"	2170-21610	2160-21611	2160-21512	2177-21120	CAM10X20	-	2170-21770	2170-21760
1177-21130	200mm	3j OCWT	A1-6"	2170-21610	2160-21611	2160-21512	2160-21591	CAM10X20	-	2170-21770	2170-21760
1177-21150	200mm	3j OCWT	BS5.25"	2170-21610	2160-21611	2160-21512	2160-21591	CAM10X20	-	2170-21770	2170-21760
1177-21160	200mm	3j OCWT	A1-6"	2170-21607	-	2160-21509	2160-21591	CAM10X20	-	2170-21770	2170-21760
1177-21170	200mm	3j OCWT	BS5.25"	2170-21610	2160-21611	2160-21512	2160-21591	CAM10X20	-	2170-21770	2170-21760
1177-26000	250mm	3j OCWT	BS 7.5"	2170-26610	2160-26611	2160-26512	2160-26591	CAM12X25	-	2170-26770	2170-26760
1177-26010	250mm	3j OCWT	BS 7.5"	2170-26610	2160-26611	2160-26512	2160-26591	CAM12X25	-	2170-26770	2170-26760
1177-26020	250mm	3j OCWT	BS 7.5"	2170-26610	2160-26611	2160-26512	2160-26591	CAM12X25	-	2170-26770	2170-26760
1177-26030	250mm	3j OCWT	180mm recess		Parts as 1179-01350.						
1177-26040	250mm	3j OCWT	180mm recess		Parts as 1179-01050.						
1177-26050	250mm	3j OCWT	BS 7.5"	2170-26610	2160-26611	2160-26512	2160-26591	CAM12X25	-	2170-26770	2177-26050
1177-26060	250mm	3j OCWT	220mm recess	2170-26610	2160-26611	2160-26512	2160-26591	CAM12X25	-	2170-26770	2170-26760
1177-26070	250mm	3j OCWT	185mm recess	2170-26610	2160-26611	2160-26512	2160-26591	CAM12X25	-	2170-26770	2170-26760
1177-26080	250mm	3j OCWT	220mm recess	2170-26610	2160-26611	2160-26512	2160-26591	CAM12X25	-	2170-26770	2170-26760
1177-26090	250mm	3j OCWT	A2-6	7179-26001			7179-26000	Other parts as 1170-32610.			
1177-26100	250mm	3j OCWT	BS 7.5"	2170-26610	2160-26611	2160-26512	2160-26591	CAM12X25	-	2170-26770	2177-26050
1177-26110	250mm	3j OCWT		7179-26002	2160-26611	2160-26512	2160-26591	CAM12X25	-	2170-26770	2170-26760
1177-26120	250mm	3j OCWT	D1-6	2170-26610	2160-26611	2160-26512	2160-26591	CAM12X25	-	2170-26770	2170-26760
1177-26130	250mm	3j OCWT	BS 7.5"	2170-26610	2160-26611	2160-26512	2160-26591	CAM12X25	-	2170-26770	2170-26760
1177-26140	250mm	3j OCWT	BS 7.5"	2170-26610	2160-26611	2160-26512	2160-26591	CAM12X25	-	2170-26770	2170-26760
1177-26150	250mm	3j OCWT	D1-6	2170-26610	2160-26611	2160-26512	2160-26591	CAM12X25	-	2170-26770	2170-26760





Chuck no.	Size	Type	Mount	Base Jaws (3)	Hard Top Jaws (3)	Soft Top Jaw (ea)	Tee Nut	Tee Nut Screw	Cover Plate	Pilot Bush	Sleeve
1177-38000	380mm	3j OCWT	A1-11								2179-01603 2179-01600
1177-40000	400mm	3j OCWT	D1-11	2170-40607	-	2160-40509	2160-40591	CAM16X30	-	2170-40770	2170-40760
1177-40010	400mm	3j OCWT	A2-11	2170-40607	-	2160-40509	2160-40591	CAM16X30	-	2170-40770	2170-40760
1177-40020	400mm	3j OCWT	BS 13"		7179-40000					2177-40020	
1177-40030	400mm	3j OCWT	D1-11	2170-40607	-	2160-40509	2160-40591	CAM16X30	-	2170-40770	2170-40760
1177-40040	400mm	3j OCWT	A2-8	2170-40610	2160-40611	2160-40512	2160-40591	CAM16X30	-	2170-40770	2170-40760
1177-40050	400mm	3j OCWT	A2-11	2170-40610	2160-40611	2160-40512	2160-40591	CAM16X30	-	2170-40770	2170-40760
1177-40060	400mm	3j OCWT	A1-8	2170-40610	2160-40611	2160-40512	2160-40591	CAM16X30	-	2170-40770	2170-40760
1177-40070	400mm	3j OCWT	A2-8	2170-40610	2160-40611	2160-40512	2160-40591	CAM16X30	-	2170-40770	2170-40760
1177-40080	400mm	3j OCWT	BS 13"	2177-40080	2177-40082		2177-40081			Other parts as 1170-54010.	
1177-40090	400mm	3j OCWT	A1-8	2170-40610	2160-40611	2160-40512	2160-40591	CAM16X30	-	2170-40770	2170-40760
1177-40100	400mm	3j OCWT	A1-11	2170-40610	2160-40611	2160-40512	2160-40591	CAM16X30	-	2170-40770	2170-40760
1177-40110	400mm	3j OCWT	BS 13"	2170-40610	2160-40611	2160-40512	2160-40591	CAM16X30	-	2170-40770	2170-40760
1177-40120	400mm	3j OCWT	C8	2170-40610	2160-40611	2160-40512	2160-40591	CAM16X30	-	2170-40770	2170-40760
1177-40130	400mm	3j OCWT	A2-11	2170-40610	2160-40611	2160-40512	2160-40591	CAM16X30	-	2170-40770	2170-40760
1177-40140	No details.										
1177-40150	400mm	3j OCWT	BS 13"	2170-40610	2160-40611	2160-40512	2160-40591	CAM16X30	-	2170-40770	2170-40760
1177-40160	400mm	3j OCWT	BS 13"	2170-40610	2160-40611	2160-40512	2160-40591	CAM16X30	-	2170-40770	2170-40760
1177-40170	400mm	3j OCWT	D1-11	2170-40610	2160-40611	2160-40512	2160-40591	CAM16X30	-	2170-40770	2170-40760
1177-40180	400mm	3j OCWT	A2-8	2170-40610	2160-40611	2160-40512	2160-40591	CAM16X30	-	2170-40770	2170-40760
1177-40190	400mm	3j OCWT	A2-8	2170-40610	2160-40611	2160-40512	2160-40591	CAM16X30	-	2170-40770	2170-40760
1177-40200	400mm	3j OCWT	A2-8	2170-40610	2160-40611	2160-40512	2160-40591	CAM16X30	-	2170-40770	2170-40760
1177-40210	400mm	3j OCWT	A2-11	2170-40610	2160-40611	2160-40512	2160-40591	CAM16X30	-	2170-40770	2170-40760
1177-40220	400mm	3j OCWT	A2-8	2170-40610	2160-40611	2160-40512	2160-40591	CAM16X30	-	2170-40770	2170-40760
1177-40230	400mm	3j OCWT	A2-11	2177-40232	2160-40611	2160-40512	2160-40591	CAM16X30	-	2170-40770	2177-40231
1177-40240	400mm	3j OCWT	BS 13"	2177-40232	2160-40611	2160-40512	2160-40591	CAM16X30	-	2170-40770	2177-40231
1177-40250	400mm	3j OCWT	A2-8	2177-40232	2160-40611	2160-40512	2160-40591	CAM16X30	-	2170-40770	2177-40231
1177-45000	450mm	3j OCWT	A1-11								Parts as 1179-00500 except: 2177-45000
1177-51000	500mm	3j OCWT	DIN 55021-15								Parts as 1170-75110 ?
1177-51010	500mm	3j OCWT	A2-11								Parts as 1170-75110 ?
1177-51020	500mm	3j OCWT	A1-11								Parts as 1170-75110 ?
1177-51030	500mm	3j OCWT	BS 16"								Parts as 1170-75110 ?
1177-51040	500mm	3j OCWT	BS 16"								Parts as 1170-75110 ?
1177-51050	500mm	3j OCWT	A2-11								Parts as 1170-75110 ?
1177-51060	500mm	3j OCWT	BS 16"								Parts as 1170-75110 ?
1177-51070	500mm	3j OCWT	A2-11	2170-51610	2160-51611	2160-51512	2160-51591	CAM20X45	-	2170-51770	2170-51760
1177-51080	500mm	3j OCWT	DIN 55021-15	2170-51610	2160-51611	2160-51512	2160-51591	CAM20X45	-	2170-51770	2170-51760
1177-63000	630mm	3j OCWT	BS 16"								Parts as 1170-76310 ?
1177-63010	630mm	3j OCWT	D1-11	2170-63607	-	2160-51509	2160-51591	CAM20X45	-	2170-63770	2170-63760
1177-63020	630mm	3j OCWT	BS 14.25"								Parts as 1170-76310 ?
1177-63030	630mm	3j OCWT	BS 14.25"								Parts as 1170-76310 ?
1177-63040	630mm	3j OCWT	A2-11								Parts as 1170-76310 ?
1177-63050	630mm	3j OCWT	BS 16"								Parts as 1170-76310 ?
1179-01260	160mm	3 jaw O.C.W.T.									
1179-00940}	315mm	3 jaw O.C.W.T.		A2-8	2179-00943	7179-32102 *	2160-32512	2179-02107	-	2179-00942	2179-00941
1179-00940}	3 jaw O.C.W.T.					7179-32103 *					
1179-01760}	315mm	3 jaw O.C.W.T.		A2-8	2179-00943	7179-32003}	2160-32512	2160-32591	-	2179-00942	2179-00941
1179-01760}	(DSG)					7179-32004}					







Chuck no.	Size	Type	Mount	Base Jaws (3)	Hard Top Jaws (3)	Soft Top Jaw (ea)	Tee Nut	Tee Nut Screw	Cover Plate	Pilot Bush	Sleeve
1187-21030	200mm	2j CCWT	BS 5.25"	2187-21002	Other parts as 1180-22107 except:				2187-21000		
1187-21040	200mm	2j CCWT	BS 5.75"		Parts as 1180-22110.						
1187-21070	200mm	2j CCWT	BS 5.25"		Parts as 1180-22110.						
1187-21080	200mm	2j CCWT	BS 5.25"	2187-21080	Other parts as 1180-22110.						
1187-21100	200mm	2j CCWT	BS 5.25"		Details unclear.						
1187-21110	200mm	2j CCWT	Spec.	7169-21000	Other parts as 1180-22110.						
1187-21120	200mm	2j CCWT	BS 5.25"	Parts as 1180-22110 except:			2187-21121		2187-21120		
1187-21130	200mm	2j CCWT	Suga		Parts as 1180-22110.						
1187-21140	200mm	2j CCWT	BS 5.25"	7169-21011			7179-21011	Other parts as 1180-22110.			
1187-21150	200mm	2j CCWT	BS 5.25"		Parts as 1180-22107.						
1187-21160	200mm	2j CCWT	BS 5.25"	Parts as 1180-22110 except:			2187-21121		2187-21120		
1187-21170	200mm	2j CCWT	BS 5.25"	7169-21024	Other parts as 1180-22110.				2187-21170		
1187-21180	200mm	2j CCWT	BS 5.25"	Parts as 1180-22110 except:			2187-21180				
1187-21190	200mm	2j CCWT	BS 5.25"		Parts as 1180-22110.						
1187-21200	200mm	2j CCWT	BS 5.25"		Parts as 1180-22110.						
1187-21210	200mm	2j CCWT	BS 5.25"		Parts as 1180-22110.						
1187-21220	200mm	2j CCWT	A1-5		Parts as 1180-22107 except:				2187-21222		
1187-26000	250mm	2j CCWT	BS 7.5"	2187-26001	Other parts as 1180-32610 except:				2187-26000		
1187-26010	250mm	2j CCWT	BS 7.5"	2187-26001	Other parts as 1180-32610 except:				2187-26000		
1187-26020	250mm	2j CCWT	BS 7.5"	2187-26002	Other parts as 1180-32607 except:				2187-26000		
1187-26030	250mm	2j CCWT	BS 7.5"	2187-26002	Other parts as 1180-32607 except:				2187-26000		
1187-26040	250mm	2j CCWT	BS 7.5"		Parts as 1180-32610.						
1187-26050	250mm	2j CCWT	BS 7.5"		Parts as 1180-32610.						
1187-26060	250mm	2j CCWT	Suga		Parts as 1180-32610.						
1187-26070	250mm	2j CCWT	BS 7.5"		Parts as 1180-32610.			Tee slots in body.			
1187-26080	250mm	2j CCWT	BS 7.5"		Parts as 1180-32610.						
1187-32000	315mm	2j CCWT	BS 7.5"	2187-32001	Other parts as 1180-33210 except:				2187-32000		
1187-32010	315mm	2j CCWT	BS 7.5"	2187-32001	Other parts as 1180-33210 except:				2187-32000		
1187-32020	315mm	2j CCWT	BS 7.5"	2187-32002	Other parts as 1180-33207 except:				2187-32000		
1187-32030	315mm	2j CCWT	BS 7.5"	2187-32002	Other parts as 1180-33207 except:				2187-32000		
1187-32040	315mm	2j CCWT	BS 7.5"		Parts as 1180-33210.						
1187-32050	315mm	2j CCWT	BS 7.5"		Parts as 1180-33210.						
1187-32060	315mm	2j CCWT	Suga		Parts as 1180-33210.						
1187-32070	315mm	2j CCWT	BS 7.5"		Other parts as 1180-33210 except:				2187-32771		
1187-32080	315mm	2j CCWT	A2-8		Other parts as 1180-33210 except:				2180-32771		
1187-32090	315mm	2j CCWT	A2-8		Other parts as 1180-33210 except:				2187-32091		
1187-40000	400mm	2j CCWT	BS 10"	2187-40001	Other parts as 1180-44010 except:				2187-40000		
1187-40010	400mm	2j CCWT	BS 10"	2187-40001	Other parts as 1180-44010 except:				2187-40000		
1187-40020	400mm	2j CCWT	BS 10"	2187-40002	Other parts as 1180-44007 except:				2187-40000		
1187-40030	400mm	2j CCWT	BS 10"	2187-40002	Other parts as 1180-44007 except:				2187-40000		
1187-40040	400mm	2j CCWT	A1-8		Parts as 1180-44010.						
1187-51000	500mm	2j CCWT	BS 13"	2187-51001	Other parts as 1180-75110 except:				2187-51000		
1187-51010	500mm	2j CCWT	BS 13"	2187-51001	Other parts as 1180-75110 except:				2187-51000		
1187-51020	500mm	2j CCWT	BS 13"	2187-51020	Other parts as 1180-75107 except:				2187-51000		
1187-51030	500mm	2j CCWT	BS 13"	2187-51020	Other parts as 1180-75107 except:				2187-51000		
1187-63000	630mm	2j CCWT	BS 16"	2187-63001	Other parts as 1180-06310 ? except:				2187-63000		
1187-63010	630mm	2j CCWT	BS 16"	2187-63001	Other parts as 1180-06310 ? except:				2187-63000		
1187-63020	630mm	2j CCWT	BS 16"	2187-63002	Other parts as 1180-06307 ? except:				2187-63000		



Chuck no./ Model no.	Size	Type	Mount	Hard Top Jaws (3)	Soft Top Jaws (set)	* Base * Jaws (set)	Tee Nut	Tee Nut Screw	Seal Kit *	Distributor Ring	Distributor Seal (ea) #	Sleeve	Piston Circlip
* See note below													
1157-41710	160mm	3j Mk II	Stationary	2740-17611	2740-17612	2740-17610	2740-17590	CAM8X25	2740-17767	2740-17806	2740-17808	2740-17760	2740-17346
1157-42110	200mm	3j Mk II	Stationary	2740-21611	2740-21612	2740-21610	2740-21590	CAM10X30	2740-21767	2740-21806	2740-21808	2740-21760	2740-21346
1157-42610	250mm	3j Mk II	Stationary	2740-26611	2740-26612	2740-26610	2740-26590	CAM12X35	2740-26767	2740-26806	2740-26808	2740-26760	2740-26346
1157-43210	315mm	3j Mk II	Stationary	2740-32611	2740-32612	2740-32610	2740-32590	CAM12X35	2740-32767	2740-32806	2740-32808	2740-32760	2740-32346
1730-01710	160mm	2j Mk II	Recess	-	2740-17612	2730-17610	2740-17590	CAM8X25	2740-17767	2740-17806	2740-17808	2730-17760	2740-17346
1730-02110	200mm	2j Mk II	Recess	-	2740-21612	2730-21610	2740-21590	CAM10X30	2740-21767	2740-21806	2740-21808	2730-21760	2740-21346
1730-02610	250mm	2j Mk II	Recess	-	2740-26612	2730-26610	2740-26590	CAM12X35	2740-26767	2740-26806	2740-26808	2730-26760	2740-26346
1730-03210	315mm	2j Mk II	Recess	-	2740-32612	2730-32610	2740-32590	CAM12X35	2740-32767	2740-32806	2740-32808	2730-32760	2740-32346
1730-03510	350mm	3j Mk II	Recess	2740-32611	2740-32612	7749-35003	2740-32590	CAM12X35	2740-35767	2740-35806	2740-35808	2749-00101	2740-35346
1730-21710	160mm	2j Mk II	Recess	-	2740-17612	2730-17610	2740-17590	CAM8X25	2740-17767	2740-17806	2740-17808	2730-17760	2740-17346
1730-22110	200mm	2j Mk II	Recess	-	2740-21612	2730-21610	2740-21590	CAM10X30	2740-21767	2740-21806	2740-21808	2730-21760	2740-21346
1730-32610	250mm	2j Mk II	Recess	-	2740-26612	2730-26610	2740-26590	CAM12X35	2740-26767	2740-26806	2740-26808	2730-26760	2740-26346
1730-33210	315mm	2j Mk II	Recess	-	2740-32612	2730-32610	2740-32590	CAM12X35	2740-32767	2740-32806	2740-32808	2730-32760	2740-32346
1730-43510	350mm	3j Mk II	Recess	2740-32611	2740-32612	7749-35003	2740-32590	CAM12X35	2740-35767	2740-35806	2740-35808	2749-00101	2740-35346
1740-01710	160mm	3j Mk II	Recess	2740-17611	2740-17612	2740-17610	2740-17590	CAM8X25	2740-17767	2740-17806	2740-17808	2740-17760	2740-17346
1740-02110	200mm	3j Mk II	Recess	2740-21611	2740-21612	2740-21610	2740-21590	CAM10X30	2740-21767	2740-21806	2740-21808	2740-21760	2740-21346
1740-02610	250mm	3j Mk II	Recess	2740-26611	2740-26612	2740-26610	2740-26590	CAM12X35	2740-26767	2740-26806	2740-26808	2740-26760	2740-26346
1740-03210	315mm	3j Mk II	Recess	2740-32611	2740-32612	2740-32610	2740-32590	CAM12X35	2740-32767	2740-32806	2740-32808	2740-32760	2740-32346
1740-03510	350mm	3j Mk II	Recess	2740-32611	2740-32612	7749-35003	2740-32590	CAM12X35	2740-35767	2740-35806	2740-35808	2749-00101	2740-35346
1740-21710	160mm	3j Mk II	Recess	2740-17611	2740-17612	2740-17610	2740-17590	CAM8X25	2740-17767	2740-17806	2740-17808	2740-17760	2740-17346
1740-22110	200mm	3j Mk II	Recess	2740-21611	2740-21612	2740-21610	2740-21590	CAM10X30	2740-21767	2740-21806	2740-21808	2740-21760	2740-21346
1740-32610	250mm	3j Mk II	Recess	2740-26611	2740-26612	2740-26610	2740-26590	CAM12X35	2740-26767	2740-26806	2740-26808	2740-26760	2740-26346
1740-33210	315mm	3j Mk II	Recess	2740-32611	2740-32612	2740-32610	2740-32590	CAM12X35	2740-32767	2740-32806	2740-32808	2740-32760	2740-32346
1740-43510	350mm	3j Mk II	Recess	2740-32611	2740-32612	7749-35003	2740-32590	CAM12X35	2740-35767	2740-35806	2740-35808	2749-00101	2740-35346
1742-21710	160mm	3j Mk II	D1-3	2740-17611	2740-17612	2740-17610	2740-17590	CAM8X25	2740-17767	2740-17806	2740-17808	2740-17760	2740-17346
1742-31710	160mm	3j Mk II	D1-4	2740-17611	2740-17612	2740-17610	2740-17590	CAM8X25	2740-17767	2740-17806	2740-17808	2740-17760	2740-17346
1742-32110	200mm	3j Mk II	D1-4	2740-21611	2740-21612	2740-21610	2740-21590	CAM10X30	2740-21767	2740-21806	2740-21808	2740-21760	2740-21346
1742-32610	250mm	3j Mk II	D1-4	2740-26611	2740-26612	2740-26610	2740-26590	CAM12X35	2740-26767	2740-26806	2740-26808	2740-26760	2740-26346
1742-42110	200mm	3j Mk II	D1-5	2740-21611	2740-21612	2740-21610	2740-21590	CAM10X30	2740-21767	2740-21806	2740-21808	2740-21760	2740-21346
1742-42610	250mm	3j Mk II	D1-5	2740-26611	2740-26612	2740-26610	2740-26590	CAM12X35	2740-26767	2740-26806	2740-26808	2740-26760	2740-26346
1742-52110	200mm	3j Mk II	D1-6	2740-21611	2740-21612	2740-21610	2740-21590	CAM10X30	2740-21767	2740-21806	2740-21808	2740-21760	2740-21346
1742-52610	250mm	3j Mk II	D1-6	2740-26611	2740-26612	2740-26610	2740-26590	CAM12X35	2740-26767	2740-26806	2740-26808	2740-26760	2740-26346
1742-53210	315mm	3j Mk II	D1-6	2740-32611	2740-32612	2740-32610	2740-32590	CAM12X35	2740-32767	2740-32806	2740-32808	2740-32760	2740-32346
1742-62110	200mm	3j Mk II	D1-8	2740-21611	2740-21612	2740-21610	2740-21590	CAM10X30	2740-21767	2740-21806	2740-21808	2740-21760	2740-21346
1742-62610	250mm	3j Mk II	D1-8	2740-26611	2740-26612	2740-26610	2740-26590	CAM12X35	2740-26767	2740-26806	2740-26808	2740-26760	2740-26346
1742-63210	315mm	3j Mk II	D1-8	2740-32611	2740-32612	2740-32610	2740-32590	CAM12X35	2740-32767	2740-32806	2740-32808	2740-32760	2740-32346
1742-63510	350mm	3j Mk II	D1-8	2740-32611	2740-32612	7749-35003	2740-32590	CAM12X35	2740-35767	2740-35806	2740-35808	2749-00101	2740-35346
1742-72610	250mm	3j Mk II	D1-11	2740-26611	2740-26612	2740-26610	2740-26590	CAM12X35	2740-26767	2740-26806	2740-26808	2740-26760	2740-26346
1742-73210	315mm	3j Mk II	D1-11	2740-32611	2740-32612	2740-32610	2740-32590	CAM12X35	2740-32767	2740-32806	2740-32808	2740-32760	2740-32346

\* Note - For 160mm & 250mm chucks above, MK III base jaws may be used but tee nut & tee nut section is different:

continued...

	160mm	250mm
Base Jaws:	8740-17610	8740-26610
Tee Nut:	8820-17591	2870-17591

\* Comprises full set of 'O' rings, 2 distributor seals and set of 6 bearing plugs.

# Only available as part of the appropriate seal kit.

See rear of manual for exploded view  
and page 58d for common self contained parts.



Chuck no./ Model no.	Size	Type	Mount	Hard Top Jaws (3)	Soft Top Jaws (set)	* Base * Jaws (set)	Tee Nut (each)	Tee Nut Screw	Seal Kit *	Distributor Ring	Distributor Seal (ea) #	Sleeve	Piston Circlip
* See note below.													
1744-11710	160mm	3j Mk II	DIN 3	2740-17611	2740-17612	2740-17610	2740-17590	CAM8X25	2740-17767	2740-17806	2740-17808	2740-17760	2740-17346
1744-21710	160mm	3j Mk II	DIN 4	2740-17611	2740-17612	2740-17610	2740-17590	CAM8X25	2740-17767	2740-17806	2740-17808	2740-17760	2740-17346
1744-22110	200mm	3j Mk II	DIN 4	2740-21611	2740-21612	2740-21610	2740-21590	CAM10X30	2740-21767	2740-21806	2740-21808	2740-21760	2740-21346
1744-22610	250mm	3j Mk II	DIN 4	2740-26611	2740-26612	2740-26610	2740-26590	CAM12X35	2740-26767	2740-26806	2740-26808	2740-26760	2740-26346
1744-31710	160mm	3j Mk II	DIN 5	2740-17611	2740-17612	2740-17610	2740-17590	CAM8X25	2740-17767	2740-17806	2740-17808	2740-17760	2740-17346
1744-32110	200mm	3j Mk II	DIN 5	2740-21611	2740-21612	2740-21610	2740-21590	CAM10X30	2740-21767	2740-21806	2740-21808	2740-21760	2740-21346
1744-32610	250mm	3j Mk II	DIN 5	2740-26611	2740-26612	2740-26610	2740-26590	CAM12X35	2740-26767	2740-26806	2740-26808	2740-26760	2740-26346
1744-41710	160mm	3j Mk II	DIN 6	2740-17611	2740-17612	2740-17610	2740-17590	CAM8X25	2740-17767	2740-17806	2740-17808	2740-17760	2740-17346
1744-42110	200mm	3j Mk II	DIN 6	2740-21611	2740-21612	2740-21610	2740-21590	CAM10X30	2740-21767	2740-21806	2740-21808	2740-21760	2740-21346
1744-43210	315mm	3j Mk II	DIN 6	2740-32611	2740-32612	2740-32610	2740-32590	CAM12X35	2740-32767	2740-32806	2740-32808	2740-32760	2740-32346
1744-53210	315mm	3j Mk II	DIN 8	2740-32611	2740-32612	2740-32610	2740-32590	CAM12X35	2740-32767	2740-32806	2740-32808	2740-32760	2740-32346
1744-63210	315mm	3j Mk II	DIN 11	2740-32611	2740-32612	2740-32610	2740-32590	CAM12X35	2740-32767	2740-32806	2740-32808	2740-32760	2740-32346
1747-17000	160mm	3j Mk II		2740-17611	2740-17612	2740-17610	2740-17590	CAM8X25	2740-17767	2740-17806	2740-17808	2740-17760	2740-17346
1747-17010	160mm	3j Mk II		2740-17611	2740-17612	2740-17610	2740-17590	CAM8X25	2740-17767	2740-17806	2740-17808	2740-17760	2740-17346
1747-17020	160mm	3j Mk II		2740-17611	Special	2740-17610	2740-17590	CAM8X25	2740-17767	2740-17806	2740-17808	2740-17760	2740-17346
1747-17030	160mm	3j Mk II	As 1740-01710 but no distributor ring.										
1747-17040	160mm	3j Mk II		2740-17611	2740-17612	2740-17610	2740-17590	CAM8X25	2740-17767	2740-17806	2740-17808	2740-17760	2740-17346
1747-17050	160mm	3j Mk II		2740-17611	2740-17612	2740-17610	2740-17590	CAM8X25	2740-17767	2740-17806	2740-17808	2740-17760	2740-17346
1747-17060	160mm	3j Mk II		2740-17611	2740-17612	2740-17610	2740-17590	CAM8X25	2740-17767	2740-17806	2740-17808	2740-17760	2740-17346
1747-17070	160mm	3j Mk II	DIN 8	2740-17611	2740-17612	2740-17610	2740-17590	CAM8X25	2740-17767	2740-17806	2740-17808	2740-17760	2740-17346
1747-17080	160mm	3j Mk II	See 1749-02130										
1747-17090	160mm	3j Mk II	DIN 6	2740-17611	2740-17612	2740-17610	2740-17590	CAM8X25	2740-17767	2740-17806	2740-17808	2740-17760	2740-17346
1747-17100	160mm	3j Mk II		2740-17611	2740-17612	2740-17610	2740-17590	CAM8X25	2740-17767	2740-17806	2740-17808	2740-17760	2740-17346
1747-17110	160mm	3j Mk II		2740-17611	2740-17612	2740-17610	2740-17590	CAM8X25	2740-17767	2740-17806	2740-17808	2740-17760	2740-17346
1747-17120	160mm	3j Mk II		2740-17611	2740-17612	2740-17610	2740-17590	CAM8X25	2740-17767	2740-17806	2740-17808	2740-17760	2740-17346
1747-17130	160mm	3j Mk II	DIN 5	As 1740-0171 As 1740-01710									
1747-17140	160mm	3j Mk II		As 1740-01710		American base jaws.							
1747-17150	160mm	3j Mk II		2740-17611	2740-17612	2740-17610	2740-17590	CAM8X25	2740-17767	2740-17806	2740-17808	2740-17760	2740-17346
1747-17160	160mm	3j Mk II		2740-17611	2740-17612	2740-17610	2740-17590	CAM8X25	2740-17767	2740-17806	2740-17808	2740-17760	2740-17346
1747-17170	160mm	3j Mk II	As 1740-01710 but cross tenon base jaws.										
1747-17180	160mm	3j Mk II	As 1740-01710 but headstock mounted distributor ring.										
1747-17190	160mm	3j Mk II	As 1740-01710 but cross tenon base jaws 2740-17607.										
1747-17200	160mm	3j Mk II	As 1740-01710 but cross tenon base jaws.										
1747-17210	160mm	3j Mk II	As 1740-01710										
1747-17220	160mm	3j Mk II	As 1740-01710 but headstock mounted distributor ring.										
1747-17230	165mm	Hyd. F.E. chuck (modified 1749-02940)											
1747-17240	165mm	Hyd. F.E. chuck (modified 1749-02940)											
1747-17250	165mm	Hyd. F.E. chuck (modified 1749-02940)											
1747-21000	200mm	3j Mk II		2740-21611	2740-21612	2740-21610	2740-21590	CAM10X30	2740-21767	2740-21806	2740-21808	2740-21760	2740-21346
1747-21010	200mm	3j Mk II	As 1740-02110 but no distributor ring.										
1747-21001	200mm	3j Mk II	As 1740-02110 but special wrapround top jaws.										
1747-21020	200mm	3j Mk II		2740-21611	2740-21612	2740-21610	2740-21590	CAM10X30	2740-21767	2740-21806	2740-21808	2740-21760	2740-21346

\* Comprises full set of 'O' rings, 2 distributor seals and set of 6 bearing plugs.

# Only available as part of the appropriate seal kit.

continued...

\* Note - For 160mm & 250mm chucks above, MK III base jaws may be used but tee nut & tee nut section is different:

	160mm	250mm
Base Jaws:	8740-17610	8740-26610
Tee Nut:	8820-17591	2870-17591

See rear of manual for exploded view  
and page 58d for common self contained parts.



Chuck no/ Model no.	Size	Type	Mount	Hard Top Jaws (3)	Soft Top Jaws (set)	* Base * Jaws (set)	Tee Nut	Tee Nut Screw	Seal Kit *	Distributor Ring	Distributor Seal (ea) #	Sleeve	Piston Circlip
* See note below.													
1747-21030	200mm	3j Mk II	DIN 6	2740-21611	2740-21612	2740-21610	2740-21590	CAM10X30	2740-21767	2740-21806	2740-21808	2740-21760	2740-21346
1747-21040	200mm	3j Mk II	DIN 6	2740-21611	2740-21612	2740-21610	2740-21590	CAM10X30	2740-21767	2740-21806	2740-21808	2740-21760	2740-21346
1747-21050	200mm	3j Mk II	As 1740-02110 but american base jaws.										
1747-21060	200mm	3j Mk II	As 1740-021	2740-21611	2740-21612	2740-21610	2740-21590	CAM10X30	2740-21767	2740-21806	2740-21808	2740-21760	2740-21346
1747-21070	200mm	3j Mk II	DIN 8	2740-21611	2740-21612	2740-21610	2740-21590	CAM10X30	2740-21767	2740-21806	2740-21808	2740-21760	2740-21346
1747-21080	200mm	3j Mk II	A1-5	2740-21611	2740-21612	2740-21610	2740-21590	CAM10X30	2740-21767	2740-21806	2740-21808	2740-21760	2740-21346
1747-21090	200mm	3j Mk II	DIN 5	2740-21611	2740-21612	2740-21610	2740-21590	CAM10X30	2740-21767	2740-21806	2740-21808	2740-21760	2740-21346
1747-21100	200mm	3j Mk II	As 1740-02110 but special distributor. High Speed.										
1747-21110	200mm	3j Mk II	A2-6	2740-21611	2740-21612	2740-21610	2740-21590	CAM10X30	2740-21767	2740-21806	2740-21808	2740-21760	2740-21346
1747-21120	200mm	3j Mk II		2740-21611	2740-21612	2740-21610	2740-21590	CAM10X30	2740-21767	2740-21806	2740-21808	2740-21760	2740-21346
1747-21130	200mm	3j Mk II	As 1740-02110 but headstock mounting distributor.										
1747-21140	200mm	3j Mk II	A2-6	2740-21611	2740-21612	2740-21610	2740-21590	CAM10X30	2740-21767	2740-21806	2740-21808	2740-21760	2740-21346
1747-21150	200mm	3j Mk II	A2-6	2740-21611	2740-21612	2740-21610	2740-21590	CAM10X30	2740-21767	2740-21806	2740-21808	2740-21760	2740-21346
1747-21160	200mm	3j Mk II	As 1740-02110 but headstock mounting distributor.										
1747-21170	210mm FE Power chuck. Modified 1749-03240.												
1747-21180	210mm FE Power chuck. Modified 1749-03240.												
1747-26000	250mm	3j Mk II	DIN 6	2740-26611	2740-26612	2740-26610	2740-26590	CAM12X35	2740-26767	2740-26806	2740-26808	2740-26760	2740-26346
1747-26010	250mm	3j Mk II		2740-26611	2740-26612	2740-26610	2740-26590	CAM12X35	2740-26767	2740-26806	2740-26808	2740-26760	2740-26346
1747-26020	250mm	3j Mk II		2740-26611	2740-26612	2740-26610	2740-26590	CAM12X35	2740-26767	2740-26806	2740-26808	2740-26760	2740-26346
1747-26030	250mm	3j Mk II	As 1740-02610 but cross tenon base jaws 2747-26030.										
1747-26040	250mm	3j Mk II	DIN 8	2740-26611	2740-26612	2740-26610	2740-26590	CAM12X35	2740-26767	2740-26806	2740-26808	2740-26760	2740-26346
1747-26050	250mm	3j Mk II	D1-8	2740-26611	2740-26612	2740-26610	2740-26590	CAM12X35	2740-26767	2740-26806	2740-26808	2740-26760	2740-26346
1747-26060	250mm	3j Mk II	As 1740-02610 but headstock mounted distributor.										
1747-26070	250mm	3j Mk II	As 1740-02610 but headstock mounted distributor.										
1747-26080	254mm F.E. chuck (modified 1749-02520).												
1747-26090	250mm	3j Mk II	As 1740-02610 but stationary application.										
1747-26100	254mm F.E. chuck (modified 1749-02410).												
1747-31000	305mm F. E. chuck (modified 1749-02540).												
1747-31010	305mm F. E. chuck (modified 1749-02540).												
1747-32000	315mm	Modified what?											
1747-32010	315mm	3j Mk II	D1-8	2740-32612	2740-32610	2740-32590	CAM12X35	2740-32767	2740-32806	2740-32808	2740-32760	2740-32346	
1747-32020	315mm	3j Mk II		2740-32612	2740-32610	2740-32590	CAM12X35	2740-32767	2740-32806	2740-32808	2740-32760	2740-32346	
1747-32030	315mm	3j Mk II	A1-8	2740-32612	2740-32610	2740-32590	CAM12X35	2740-32767	2740-32806	2740-32808	2740-32760	2740-32346	
1747-32040	315mm	3j Mk II	As 1740-03210	A2-8 with special distributor.									
1747-32050	315mm	3j Mk II	D1-11	2740-32612	2740-32610	2740-32590	CAM12X35	2740-32767	2740-32806	2740-32808	2740-32760	2740-32346	
1747-32060	315mm	3j Mk II	As 1740-03210 but cross tenon base jaws 2740-32607.										
1747-32070	315mm S.C. Hyd. chuck. Modified 1749-02200.												
1747-32080	315mm	Modified what?											
1747-32090	315mm S.C. Hyd. chuck. Modified 1749-02200.												

\* Comprises full set of 'O' rings, 2 distributor seals and set of 6 bearing plugs.

# Only available as part of the appropriate seal kit.

continued...

\* Note - For 160mm & 250mm chucks above, MK III base jaws may be used but tee nut & tee nut section is different:

	160mm	250mm
Base Jaws:	8740-17610	8740-26610
Tee Nut:	8820-17591	2870-17591

See rear of manual for exploded view  
and page 58d for common self contained parts.

Chuck no./ Model no.	Size	Type	Mount	Hard Top Jaws (3)	Soft Top Jaws (set)	* Base * Jaws (set)	Tee Nut (each)	Tee Nut Screw	Seal Kit *	Distributor Ring	Distributor Seal (ea) #	Sleeve	Piston Circlip
* See note below.													
1747-32095	315mm	3j Mk II		2740-32611	2740-32612	2740-32610	2740-32590	CAM12X35	2740-32767	2740-32806	2740-32808	2740-32760	2740-32346
1747-32100	315mm	3j Mk II	A2-11	2740-32611	2740-32612	2740-32610	2740-32590	CAM12X35	2740-32767	2740-32806	2740-32808	2740-32760	2740-32346
1747-32105	315mm	3j Mk II	As 1742-63210. Headstock mounted distributor.										
1747-32110	315mm	3j Mk II	As 1742-63210. Headstock mounted distributor.										
1747-32115	315mm	3j Mk II	DIN 8	2740-32611	2740-32612	2740-32610	2740-32590	CAM12X35	2740-32767	2740-32806	2740-32808	2740-32760	2740-32346
1747-32120	315mm	3j Mk II	DIN 11	2740-32611	2740-32612	2740-32610	2740-32590	CAM12X35	2740-32767	2740-32806	2740-32808	2740-32760	2740-32346
1747-32125	315mm	3j Mk II		2740-32611	2740-32612	2740-32610	2740-32590	CAM12X35	2740-32767	2740-32806	2740-32808	2740-32760	2740-32346
1747-32130	315mm	S.C. Hyd. chuck. Modified 1749-02200.											
1747-35000	350mm	3j Mk II	As 1740-43510 but stationary application & special backplate.										
1747-35010	350mm	3j Mk II		2740-32611	2740-32612	7749-35003	2740-32590	CAM12X35	2740-35767	2740-35806	2740-35808	2749-00101	2740-35346
1747-35020	350mm	3j Mk II		2740-32611	2740-32612	7749-35003	2740-32590	CAM12X35	2740-35767	2740-35806	2740-35808	2749-00101	2740-35346
1747-35030	350mm	3j Mk II		2740-32611	2740-32612	7749-35003	2740-32590	CAM12X35	2740-35767	2740-35806	2740-35808	2749-00101	2740-35346
1747-35040	350mm	3j Mk II		2740-32611	2740-32612	7749-35003	2740-32590	CAM12X35	2740-35767	2740-35806	2740-35808	2749-00101	2740-35346
1747-35050	350mm	3j Mk II		2740-32611	2740-32612	7749-35003	2740-32590	CAM12X35	2740-35767	2740-35806	2740-35808	2749-00101	2740-35346
1747-35060	350mm	3j Mk II	As 1740-43510 except headstock mounted distributor.										
1747-35070	350mm	3j Mk II	As 1740-43510 except headstock mounted distributor.										
1747-35080	350mm	3j Mk II		2740-32611	2740-32612	7749-35003	2740-32590	CAM12X35	2740-35767	2740-35806	2740-35808	2749-00101	2740-35346
1747-35090	Some sort of F.E chuck? Based on 1749-00200. See also 9747-35090?												
1747-40000	400mm	F. E. Hyd. chuck. Modified 1749-03520.											
1747-51000	500mm	Stationary application.											

\* Comprises full set of 'O' rings, 2 distributor seals and set of 6 bearing plugs.

# Only available as part of the appropriate seal kit.

\* Note - For 160mm & 250mm chucks above, MK III base jaws may be used but tee nut & tee nut section is different:

	160mm	250mm
Base Jaws:	8740-17610	8740-26610
Tee Nut:	8820-17591	2870-17591

See rear of manual for exploded view  
and page 58d for common self contained parts.



Chuck no./ Model no.	Size	Type	Mount	Hard Top Jaws (3)	Soft Top Jaws (set)	Base Jaws (set)	Tee Nut (each)	Tee Nut Screw	Seal Kit *	Distributor Ring	Distributor Seal (ea) #	Sleeve	Piston Circlip
9740-01710	160mm	3j Mk III	Recess (HS)	8130-17611	8820-17612	8740-17610	8820-17591	CAM8X20	2740-17767	2740-17806	2740-17808	2740-17760	2740-17346
9740-02110	200mm	3j Mk III	Recess (HS)	8130-21611	8820-26612	2740-21610	8740-21591	CAM12X30	2740-21767	2740-21806	2740-21808	2740-21760	2740-21346
9740-02610	250mm	3j Mk III	Recess (HS)	8130-21611	8820-26612	8740-26610	2870-17591	CAM12X30	2740-26767	2740-26806	2740-26808	2740-26760	2740-26346
9740-03210	315mm	3j Mk III	Recess (HS)	8130-31611	8820-31612	7749-35003	8740-32591	CAM16X35	2740-32767	2740-32806	2740-32808	2740-32760	2740-32346
9740-03510	350mm	3j Mk III	Recess (HS)	8130-31611	8820-31612	7749-35003	8740-32591	CAM16X35	2740-35767	2740-35806	2740-35808	2749-00101	2740-35346
9760-01710	160mm	3j Mk III	Recess	8130-17611	8820-17612	8740-17610	8820-17591	CAM8X20	2740-17767	2740-17806	2740-17808	2740-17760	2740-17346
9760-02110	200mm	3j Mk III	Recess	8130-21611	8820-26612	2740-21610	8740-21591	CAM12X30	2740-21767	2740-21806	2740-21808	2740-21760	2740-21346
9760-02610	250mm	3j Mk III	Recess	8130-21611	8820-26612	8740-26610	2870-17591	CAM12X30	2740-26767	2740-26806	2740-26808	2740-26760	2740-26346
9760-03210	315mm	3j Mk III	Recess	8130-31611	8820-31612	2740-32610	8740-32591	CAM16X35	2740-32767	2740-32806	2740-32808	2740-32760	2740-32346
9760-21710	160mm	3j Mk III	Recess	8130-17611	8820-17612	8740-17610	8820-17591	CAM8X20	2740-17767	2740-17806	2740-17808	2740-17760	2740-17346
9760-22110	200mm	3j Mk III	Recess	8130-21611	8820-26612	2740-21610	8740-21591	CAM12X30	2740-21767	2740-21806	2740-21808	2740-21760	2740-21346
9760-32610	250mm	3j Mk III	Recess	8130-21611	8820-26612	8740-26610	2870-17591	CAM12X30	2740-26767	2740-26806	2740-26808	2740-26760	2740-26346
9760-33210	315mm	3j Mk III	Recess	8130-31611	8820-31612	2740-32610	8740-32591	CAM16X35	2740-32767	2740-32806	2740-32808	2740-32760	2740-32346
9760-43510	350mm	3j Mk III	Recess	8130-31611	8820-31612	7749-35003	8740-32591	CAM16X35	2740-35767	2740-35806	2740-35808	2749-00101	2740-35346
9761-63510	350mm	3j Mk III	A2-11	8130-31611	8820-31612	7749-35003	8740-32591	CAM16X35	2740-35767	2740-35806	2740-35808	2749-00101	2740-35346
9762-21710	160mm	3j Mk III	D1-3	8130-17611	8820-17612	8740-17610	8820-17591	CAM8X20	2740-17767	2740-17806	2740-17808	2740-17760	2740-17346
9762-31710	160mm	3j Mk III	D1-4	8130-17611	8820-17612	8740-17610	8820-17591	CAM8X20	2740-17767	2740-17806	2740-17808	2740-17760	2740-17346
9762-32110	200mm	3j Mk III	D1-4	8130-21611	8820-26612	2740-21610	8740-21591	CAM12X30	2740-21767	2740-21806	2740-21808	2740-21760	2740-21346
9762-32610	250mm	3j Mk III	D1-4	8130-21611	8820-26612	8740-26610	2870-17591	CAM12X30	2740-26767	2740-26806	2740-26808	2740-26760	2740-26346
9762-42110	200mm	3j Mk III	D1-5	8130-21611	8820-26612	2740-21610	8740-21591	CAM12X30	2740-21767	2740-21806	2740-21808	2740-21760	2740-21346
9762-42610	250mm	3j Mk III	D1-5	8130-21611	8820-26612	8740-26610	2870-17591	CAM12X30	2740-26767	2740-26806	2740-26808	2740-26760	2740-26346
9762-52110	200mm	3j Mk III	D1-6	8130-21611	8820-26612	2740-21610	8740-21591	CAM12X30	2740-21767	2740-21806	2740-21808	2740-21760	2740-21346
9762-52610	250mm	3j Mk III	D1-6	8130-21611	8820-26612	8740-26610	2870-17591	CAM12X30	2740-26767	2740-26806	2740-26808	2740-26760	2740-26346
9762-53210	315mm	3j Mk III	D1-6	8130-31611	8820-31612	2740-32610	8740-32591	CAM16X35	2740-32767	2740-32806	2740-32808	2740-32760	2740-32346
9762-62110	200mm	3j Mk III	D1-8	8130-21611	8820-26612	2740-21610	8740-21591	CAM12X30	2740-21767	2740-21806	2740-21808	2740-21760	2740-21346
9762-62610	250mm	3j Mk III	D1-8	8130-21611	8820-26612	8740-26610	2870-17591	CAM12X30	2740-26767	2740-26806	2740-26808	2740-26760	2740-26346
9762-63210	315mm	3j Mk III	D1-8	8130-31611	8820-31612	2740-32610	8740-32591	CAM16X35	2740-32767	2740-32806	2740-32808	2740-32760	2740-32346
9762-63510	350mm	3j Mk III	D1-8	8130-31611	8820-31612	7749-35003	8740-32591	CAM16X35	2740-35767	2740-35806	2740-35808	2749-00101	2740-35346
9762-72610	250mm	3j Mk III	D1-11	8130-21611	8820-26612	8740-26610	2870-17591	CAM12X30	2740-26767	2740-26806	2740-26808	2740-26760	2740-26346
9762-73210	315mm	3j Mk III	D1-11	8130-31611	8820-31612	2740-32610	8740-32591	CAM16X35	2740-32767	2740-32806	2740-32808	2740-32760	2740-32346
9762-73510	350mm	3j Mk III	D1-11	8130-31611	8820-31612	7749-35003	8740-32591	CAM16X35	2740-35767	2740-35806	2740-35808	2749-00101	2740-35346
9764-11710	160mm	3j Mk III	DIN 3	8130-17611	8820-17612	8740-17610	8820-17591	CAM8X20	2740-17767	2740-17806	2740-17808	2740-17760	2740-17346
9764-21710	160mm	3j Mk III	DIN 4	8130-17611	8820-17612	8740-17610	8820-17591	CAM8X20	2740-17767	2740-17806	2740-17808	2740-17760	2740-17346
9764-22110	200mm	3j Mk III	DIN 4	8130-21611	8820-26612	2740-21610	8740-21591	CAM12X30	2740-21767	2740-21806	2740-21808	2740-21760	2740-21346
9764-22610	250mm	3j Mk III	DIN 4	8130-21611	8820-26612	8740-26610	2870-17591	CAM12X30	2740-26767	2740-26806	2740-26808	2740-26760	2740-26346
9764-31710	160mm	3j Mk III	DIN 5	8130-17611	8820-17612	8740-17610	8820-17591	CAM8X20	2740-17767	2740-17806	2740-17808	2740-17760	2740-17346
9764-32110	200mm	3j Mk III	DIN 5	8130-21611	8820-26612	2740-21610	8740-21591	CAM12X30	2740-21767	2740-21806	2740-21808	2740-21760	2740-21346
9764-32610	250mm	3j Mk III	DIN 5	8130-21611	8820-26612	8740-26610	2870-17591	CAM12X30	2740-26767	2740-26806	2740-26808	2740-26760	2740-26346
9764-41710	160mm	3j Mk III	DIN 6	8130-17611	8820-17612	8740-17610	8820-17591	CAM8X20	2740-17767	2740-17806	2740-17808	2740-17760	2740-17346
9764-42110	200mm	3j Mk III	DIN 6	8130-21611	8820-26612	2740-21610	8740-21591	CAM12X30	2740-21767	2740-21806	2740-21808	2740-21760	2740-21346
9764-42610	250mm	3j Mk III	DIN 6	8130-21611	8820-26612	8740-26610	2870-17591	CAM12X30	2740-26767	2740-26806	2740-26808	2740-26760	2740-26346
9764-43210	315mm	3j Mk III	DIN 6	8130-31611	8820-31612	2740-32610	8740-32591	CAM16X35	2740-32767	2740-32806	2740-32808	2740-32760	2740-32346
9764-52610	250mm	3j Mk III	DIN 8	8130-21611	8820-26612	8740-26610	2870-17591	CAM12X30	2740-26767	2740-26806	2740-26808	2740-26760	2740-26346
9764-53210	315mm	3j Mk III	DIN 8	8130-31611	8820-31612	2740-32610	8740-32591	CAM16X35	2740-32767	2740-32806	2740-32808	2740-32760	2740-32346

\* Comprises full set of 'O' rings, 2 distributor seals and set of 6 bearing plugs.

# Only available as part of the appropriate seal kit.

See rear of manual for exploded view  
and page 58d for common self contained parts.



Chuck no./ Model no.	Size	Type	Mount	Hard Top Jaws (3)	Soft Top Jaws (set)	Base Jaws (set)	Tee Nut	Tee Nut Screw	Seal Kit *	Distributor Ring	Distributor Seal (ea) #	Sleeve	Piston Circlip
9767-17000	160mm	3j Mk III		8130-17611	8820-17612	8740-17610	8820-17591	CAM8X20	2740-17767	2740-17806	2740-17808	2740-17760	2740-17346
9767-17010	160mm	3j Mk III	As 9760-01710 except stationary chuck with angle bracket.										
9767-17040	160mm	3j Mk III	A2-5	8130-17611	8820-17612	8740-17610	8820-17591	CAM8X20	2740-17767	2740-17806	2740-17808	2740-17760	2740-17346
9767-17050	160mm	3j Mk III	See 1747-17180.										
9767-17060	160mm	3j Mk III		8130-17611	8820-17612	8740-17610	8820-17591	CAM8X20	2740-17767	2740-17806	2740-17808	2740-17760	2740-17346
9767-17070	160mm	3j Mk III		8130-17611	8820-17612	8740-17610	8820-17591	CAM8X20	2740-17767	2740-17806	2740-17808	2740-17760	2740-17346
9767-21000	200mm	3j Mk III	As 9760-02110 except stationary.			2740-21610	8740-21591	CAM12X30	2740-21767	2740-21806	2740-21808	2740-21760	2740-21346
9767-21010	200mm	3j Mk III	As 9760-02110 except stationary.			2740-21610	8740-21591	CAM12X30	2740-21767	2740-21806	2740-21808	2740-21760	2740-21346
9767-21020	200mm	3j Mk III		8130-21611	8820-26612	2740-21610	8740-21591	CAM12X30	2740-21767	2740-21806	2740-21808	2740-21760	2740-21346
9767-25000	250mm	3j Mk III		8130-21611	8820-26612	8740-26610	2870-17591	CAM12X30	2740-26767	2740-26806	2740-26808	2740-26760	2740-26346
9767-32000	315mm	3j Mk III		8130-31611	8820-31612	2740-32610	8740-32591	CAM16X35	2740-32767	2740-32806	2740-32808	2740-32760	2740-32346
9767-32010	315mm	3j Mk III	As 9760-03210. Special top jaws.			2740-32610	8740-32591	CAM16X35	2740-32767	2740-32806	2740-32808	2740-32760	2740-32346
9767-32020	315mm	3j Mk III	As 9760-03210 except stationary.			2740-32610	8740-32591	CAM16X35	2740-32767	2740-32806	2740-32808	2740-32760	2740-32346
9767-32030	315mm	3j Mk III	A2-8	8130-31611	8820-31612	2740-32610	8740-32591	CAM16X35	2740-32767	2740-32806	2740-32808	2740-32760	2740-32346
9767-35000	350mm	3j Mk III	As 9760-43510. Large bore.										
9767-35010	350mm	3j Mk III		8130-31611	8820-31612	7749-35003	8740-32591	CAM16X35	2740-35767	2740-35806	2740-35808	2749-00101	2740-35346
9767-35020	350mm	3j Mk III	As 9760-43510. No check valves.										

The parts below are common to all Self Contained chucks:

160mm	200mm	250mm	315mm	350mm
9760-01710	9760-02110	9760-02610	9760-03210	9760-43510

Check valve & circlip (2 per chuck)	2747-17800	2747-17800	2747-17800	2747-17800	2747-17800
Check valve circlip only (2 per chuck)	C/CLIPINT17MM (all sizes)				
Distributor Seal (ea) (2 per chuck) #	2740-17808	2740-17808	2740-17808	2740-17808	2740-17808
Bearing Plug (ea) (6 per chuck) #	2740-17811	2740-17811	2740-17811	2740-17811	2740-17811
Locating Plug (ea) (6 per chuck)	2740-17809	2740-17809	2740-17809	2740-17809	2740-17809
Locknut (ea) (6 per chuck)	2740-17810	2740-17810	2740-17810	2740-17810	2740-17810
Sensor Leads	2156-17102	2156-17102	2156-17102	2156-17102	2156-17102
Pressure Gauge	PCL-0.8/8.2BAR (all sizes)				
Sensor Holder	2156-17101	2156-17101	2156-17101	2156-17101	2749-02259
Bush	2740-17770	2740-21770	2740-26770	2740-32770	2749-00300
Swarf Plate	2740-17807	2740-21807	2740-26807	Not fitted	Not fitted
Lubricator (Oiler)	608601	608601	608601	608601	608601
Test Valve (2 per chuck) 3 components:	Stem:	SCHRADER14039-1			
	Cap:	SCHRADER2525			
	Core:	SCHRADER8500T			
Backplate screw	CAM8X20(6)	CAM8X20(6)	CAM8X20(8)	CAM8X20(10)	
Bush screw	LHM5X10(3)	LHM5X10(3)	LHM5X10(6)	LHM5X10(6)	LHM5X12(6)
Disc seal screw					
Swarf Plate screw	BTM4X8 (6)	BTM4X8 (6)	BTM4X8 (6)	Not required	Not required

\* Comprises full set of 'O' rings, 2 distributor seals and set of 6 bearing plugs.

# Only available as part of the appropriate seal kit.

See rear of manual for exploded view





Chuck no.	Size	Type	Mount	Base Jaws (set)	Sleeve	Drawtube Connector	Soft Top Jaws (3)	Hard Top Jaws (3)	Pilot Bush	Cover Plate	Tee Nut 6 per chuck	Tee Nut Screw
1860-11710	160mm	2 jaw 90°	Recess	2860-17610	2860-17760	2860-17777	8820-21612	-	2860-17770	2860-17771	2870-17591	CAM12X25
1860-11730	160mm	2 jaw 90°	Recess	2860-17530	2860-17760	2860-17777	2860-17632	-	2860-17770	2860-17771	2870-17591	CAM12X25
1860-12110	200mm	2 jaw 90°	Recess	2860-21610	2860-21760	2860-21777	8820-21612	-	2860-21770	2860-21771	2870-17591	CAM12X25
1860-12130	200mm	2 jaw 90°	Recess	2860-21530	2860-21760	2860-21777	2860-21632	-	2860-21770	2860-21771	2870-17591	CAM12X25
1860-12610	250mm	2 jaw 90°	Recess	2860-26610	2860-26760	2860-26777	8820-31612	-	2860-26770	2860-26771	2870-26591	CAM16X35
1860-12630	250mm	2 jaw 90°	Recess	2860-25630	2860-26760	2860-26777	2860-26632	-	2860-26770	2860-26771	2870-26591	CAM16X35
1860-13210	315mm	2 jaw 90°	Recess	2860-32610	2860-32760	2860-32777	8820-31612	-	2860-32770	2860-32771	2870-26591	CAM16X35
1860-13230	315mm	2 jaw 90°	Recess	2860-32530	2860-32760	2860-32777	2860-32632	-	2860-32770	2860-32771	2870-26591	CAM16X35
1860-14010	400mm	2 jaw 90°	Recess					-			2870-40591	CAM20X35
1861-31710	160mm	2 jaw 90°	A2-5	2860-17610	2860-17760	2860-17777	8820-21612	-	2860-17770	2860-17771	2870-17591	CAM12X25
1861-31730	160mm	2 jaw 90°	A2-5	2860-17530	2860-17760	2860-17777	2860-17632	-	2860-17770	2860-17771	2870-17591	CAM12X25
1861-42110	200mm	2 jaw 90°	A2-6	2860-21610	2860-21760	2860-21777	8820-26612	-	2860-21770	2860-21771	2870-17591	CAM12X25
1861-42130	200mm	2 jaw 90°	A2-6	2860-21530	2860-21760	2860-21777	2860-21632	-	2860-21770	2860-21771	2870-17591	CAM12X25
1861-52610	250mm	2 jaw 90°	A2-8	2860-26610	2860-26760	2860-26777	8820-31612	-	2860-26770	2860-26771	2870-26591	CAM16X35
1861-52630	250mm	2 jaw 90°	A2-8	2860-25630	2860-26760	2860-26777	2860-26632	-	2860-26770	2860-26771	2870-26591	CAM16X35
1861-63210	315mm	2 jaw 90°	A2-11	2860-32610	2860-32760	2860-32777	8820-31612	-	2860-32770	2860-32771	2870-26591	CAM16X35
1861-63230	315mm	2 jaw 90°	A2-11	2860-32530	2860-32760	2860-32777	2860-32632	-	2860-32770	2860-32771	2870-26591	CAM16X35
1861-64010	400mm	2 jaw 90°	A2-11		2860-40760	2860-40777	8820-38612	-			2870-40591	CAM20X35
1867-17000	160mm	2 jaw 90°	A2-5	2860-17610	2860-17760	2867-17000	8820-21612	-	2860-17770	2860-17771	2870-17591	CAM12X25
1867-17005	160mm	2 jaw 90°	A2-5	2870-17530	2860-17760	2867-17005	8820-21612	-	2860-17770	2860-17771	2870-17591	CAM12X25
1867-17010	160mm	2 jaw 90°	A2-5	2860-17530	2860-17760	2867-17010	2860-17632	-	2860-17770	2860-17771	2870-17591	CAM12X25
1867-17015	160mm	2 jaw 90°	Recess	2860-17610	2860-17760	2867-17015	8820-21612	-	2860-17770	2860-17771	2870-17591	CAM12X25
1867-17020	160mm	2 jaw 90°	Recess	2870-17530	2860-17760	2867-17020	8820-21612	-	2860-17770	2860-17771	2870-17591	CAM12X25
1867-21000	200mm	2 jaw 90°	A2-6	2860-21610	2860-21760	2867-21000	8820-26612	-	2860-21770	2860-21771	2870-17591	CAM12X25
1867-21005	200mm	2 jaw 90°	A2-6	2860-21610	2860-21760	2860-21777	8820-26612	-	2860-21770	2860-21771	2870-17591	CAM12X25
1867-21010	200mm	2 jaw 90°	A2-6	2860-21610	2860-21760	2867-21010	8820-26612	-	2860-21770	2860-21771	2870-17591	CAM12X25
1867-21020	200mm	2 jaw 90°	A2-6	2860-21610	2867-21020	2867-21010	8820-26612	-	2867-21021	2860-21771	2870-17591	CAM12X25
1867-21030	200mm	2 jaw 90°	A2-6	2860-21610	2860-21760	2867-21030	8820-26612	-	2860-21770	2860-21771	2870-17591	CAM12X25
1867-21040	200mm	2 jaw 90°	A2-6	2860-21610	2860-21760	2867-21040	8820-26612	2867-21041	2860-21770	2860-21771	2870-17591	CAM12X25
1867-21050	200mm	2 jaw 90°	Recess	2860-21610	2860-21760	2867-21050	8820-21612	2867-21041	2860-21770	2860-21771	2870-17591	CAM12X25
1867-21060	200mm	2 jaw 90°	A2-6	2860-21610	2860-21760	2867-21060	8820-21612	-	2860-21770	2860-21771	2870-17591	CAM12X25
1867-21070	200mm	2 jaw 90°	Recess	2860-21610	2860-21760	2867-21070	8820-21612	-	2860-21770	2860-21771	2870-17591	CAM12X25
1867-26000	250mm	2 jaw 90°	A2-8	2860-26610	2860-26760	2867-26000	8820-31612	-	2860-26770	2860-26771	2870-26591	CAM16X35
1867-26005	250mm	2 jaw 90°	A2-8	2860-26610	2860-26760	2867-26000	8820-31612	-	2860-26770	2860-26771	2870-26591	CAM16X35
1867-26010	250mm	2 jaw 90°	A2-8	2860-26610	2860-26760	2867-26010	8820-31612	-	2860-26770	2860-26771	2870-26591	CAM16X35
1867-26020	250mm	2 jaw 90°	Recess	2860-26610	2860-26760	2867-26020	8820-31612	-	2860-26770	2860-26771	2870-26591	CAM16X35
1867-26030	250mm	2 jaw 90°	Recess	2860-26610	2860-26760	2867-26030	8820-31612	-	2860-26770	2860-26771	2870-26591	CAM16X35
1867-26035	250mm	2 jaw 90°	A2-8	2860-26610	2860-26760	2867-26035	8820-31612	-	2860-26770	2860-26771	2870-26591	CAM16X35
1867-26040	250mm	2 jaw 90°	A2-8	2860-26610	2860-26760	2867-26040	8820-31612	-	2860-26770	2860-26771	2870-26591	CAM16X35
1867-26045	250mm	2 jaw 90°	A2-8	2860-26610	2860-26760	2867-26045	8820-31612	-	2860-26770	2860-26771	2870-26591	CAM16X35
1867-26050	250mm	2 jaw 90°	Recess	2860-26610	2867-26050	2867-26051	8820-31612	-	2867-26052	2860-26771	2870-26591	CAM16X35
1867-26055	250mm	2 jaw 90°	A2-6 ?	2860-26610	2867-26050	2867-26055	8820-31612	-	2860-26770	2860-26771	2870-26591	CAM16X35
1867-26060	250mm	2 jaw 90°	Recess	2860-26610	2867-26050	2867-26060	8820-31612	-	2860-26770	2860-26771	2870-26591	CAM16X35
1867-26070	250mm	2 jaw 90°	Recess	2860-26610	2867-26050	2867-26070	8820-31612	-	2860-26770	2860-26771	2870-26591	CAM16X35
1867-32000	315mm	As 1861-63210 except many special parts.						-				
1867-32020	315mm	2 jaw 90°	A2-8 ?	2860-32610	2860-32760	2867-32020	8820-31612	-	2860-32770	2860-32771	2870-26591	CAM16X35
1867-32025	315mm	2 jaw 90°	Recess	2860-32530	2860-32760	2867-32025	2860-32632	-	2860-32770	2860-32771	2870-26591	CAM16X35
1867-32030	315mm	2 jaw 90°	Recess	2860-32610	2860-32760	2867-32030	8820-30612	-	2860-32770	2860-32771	2870-26591	CAM16X35



Chuck no.	Size	Type	Mount	Base Jaws (set)	Sleeve	Drawtube Connector	Soft Top Jaws (3)	Hard Top Jaws (3)	Pilot Bush	Cover Plate	Tee Nut 6 per chuck	Tee Nut Screw
1867-32035	315mm	2 jaw 90°	Recess	2860-32610	2860-32760	2867-32035	8820-31612	-	2860-32770	2860-32771	2870-26591	CAM16X35
1867-32040	315mm	2 jaw 90°	A2-11	2860-32530	2860-32760	2867-32040	2860-32632	-	2860-32770	2860-32771	2870-26591	CAM16X35
1867-32045	315mm	2 jaw 90°	A2-11	2870-32530	2860-32760	2867-32045	8820-31612	-	2860-32770	2860-32771	2870-26591	CAM16X35
1867-32050	315mm	2 jaw 90°	A2-11	2860-32610	2860-32760	2867-32050	8820-31612	-	2860-32770	2860-32771	2870-26591	CAM16X35
1867-32055	315mm	2 jaw 90°	Recess	2860-32610	2860-32760	2867-32055	8820-31612	-	2860-32770	2860-32771	2870-26591	CAM16X35
1870-11710	160mm	3 jaw 90°	Recess	2870-17610	2870-17760	2870-17777	8820-21612	8130-21611	2870-17770	2870-17771	2870-17591	CAM12X25
1870-11730	160mm	3 jaw 90°	Recess	2870-17530	2870-17760	2870-17777	2860-17632	-	2870-17770	2870-17771	2870-17591	CAM12X25
1870-12110	200mm	3 jaw 90°	Recess	2870-21610	2870-21760	2870-21777	8820-21612	8130-21611	2870-21770	2870-21771	2870-17591	CAM12X25
1870-12130	200mm	3 jaw 90°	Recess	2870-21530	2870-21760	2870-21777	2860-21632	-	2870-21770	2870-21771	2870-17591	CAM12X25
1870-12610	250mm	3 jaw 90°	Recess	2870-26610	2870-26760	2870-26777	8820-31612	8130-31611	2870-26770	2870-26771	2870-26591	CAM16X35
1870-12630	250mm	3 jaw 90°	Recess	2870-26530	2870-26760	2870-26777	2860-26632	-	2870-26770	2870-26771	2870-26591	CAM16X35
1870-13210	315mm	3 jaw 90°	Recess	2870-32610	2870-32760	2870-32777	8820-31612	8130-31611	2870-32770	2870-32771	2870-26591	CAM16X35
1870-13230	315mm	3 jaw 90°	Recess	2870-32530	2870-32760	2870-32777	2860-32632	-	2870-32770	2870-32771	2870-26591	CAM16X35
1870-14010	400mm	3 jaw 90°	Recess	2870-40610	2870-40760	2870-40777	8820-38612	8130-40611	2870-40770	2870-40771	2870-40591	CAM20X35
1870-14030	400mm	3 jaw 90°	Recess	-	2870-40760	2870-40777	-	-	2870-40770	2870-40771	2870-40591	CAM20X35
1871-31710	160mm	3 jaw 90°	A2-5	2870-17610	2870-17760	2870-17777	8820-21612	8130-21611	2870-17770	2870-17771	2870-17591	CAM12X25
1871-31730	160mm	3 jaw 90°	A2-5	2870-17530	2870-17760	2870-17777	2860-17632	-	2870-17770	2870-17771	2870-17591	CAM12X25
1871-42110	200mm	3 jaw 90°	A2-6	2870-21610	2870-21760	2870-21777	8820-21612	8130-21611	2870-21770	2870-21771	2870-17591	CAM12X25
1871-42130	200mm	3 jaw 90°	A2-6	2870-21530	2870-21760	2870-21777	2860-21632	-	2870-21770	2870-21771	2870-17591	CAM12X25
1871-42610	250mm	3 jaw 90°	A2-6	2870-26610	2870-26760	2870-26777	8820-31612	8130-31611	2870-26770	2870-26771	2870-26591	CAM16X35
1871-52610	250mm	3 jaw 90°	A2-8	2870-26610	2870-26760	2870-26777	8820-31612	8130-31611	2870-26770	2870-26771	2870-26591	CAM16X35
1871-52630	250mm	3 jaw 90°	A2-8	2870-26530	2870-26760	2870-26777	2860-26632	-	2870-26770	2870-26771	2870-26591	CAM16X35
1871-63210	315mm	3 jaw 90°	A2-11	2870-32610	2870-32760	2870-32777	8820-31612	8130-31611	2870-32770	2870-32771	2870-26591	CAM16X35
1871-63230	315mm	3 jaw 90°	A2-11	2870-32530	2870-32760	2870-32777	2860-32632	-	2870-32770	2870-32771	2870-26591	CAM16X35
1871-64010	400mm	3 jaw 90°	A2-11	2870-40610	2870-40760	2870-40777	8820-38612	8130-40611	2870-40770	2870-40771	2870-40591	CAM20X35
1875-42110	160mm	3 jaw 90°	A2-6	2870-17610	2870-17760	2870-17777	8820-21612	8130-21611	2870-17770	2870-17771	2870-17591	CAM12X25
1875-42610	250mm	3 jaw 90°	A2-6	2870-26610	2870-26760	2870-26777	8820-31612	8130-31611	2870-26770	2870-26771	2870-26591	CAM16X35
1875-52610	250mm	3 jaw 90°	A2-8	2870-26610	2870-26760	2870-26777	8820-31612	8130-31611	2870-26770	2870-26771	2870-26591	CAM16X35
1875-53210	315mm	3 jaw 90°	A2-8	2870-32610	2870-32760	2870-32777	8820-31612	8130-31611	2870-32770	2870-32771	2870-26591	CAM16X35
1875-54010	400mm	3 jaw 90°	A2-8	2870-40610	2870-40760	2870-40777	8820-38612	8130-40611	2870-40770	2870-40771	2870-40591	CAM20X35
1875-63210	315mm	3 jaw 90°	A2-11	2870-32610	2870-32760	2870-32777	8820-31612	8130-31611	2870-32770	2870-32771	2870-26591	CAM16X35
1875-64010	400mm	3 jaw 90°	A2-11	2870-40610	2870-40760	2870-40777	8820-38612	8130-40611	2870-40770	2870-40771	2870-40591	CAM20X35
1877-17005	160mm	3 jaw 90°	A2-5	2870-17610	2870-17760	2877-17005	8820-21612	8130-21611	2870-17770	2870-17771	2870-17591	CAM12X25
1877-17010	160mm	3 jaw 90°	-	-	-	-	2877-17011	-	-	Deleted	-	-
1877-17015	160mm	3 jaw 90°	A2-5	2870-17610	2870-17760	2877-17015	8820-21612	8130-21611	2870-17770	2870-17771	2870-17591	CAM12X25
1877-17020	160mm	3 jaw 90°	A2-5	2870-17610	2870-17760	2877-17020	8820-21612	8130-21611	2870-17770	2870-17771	2870-17591	CAM12X25
1877-17025	160mm	3 jaw 90°	A2-5	2870-17610	2870-17760	2877-17026	8820-21612	8130-21611	2870-17770	2870-17771	2870-17591	CAM12X25
1877-17030	160mm	3 jaw 90°	A2-5	2870-17610	2870-17760	-	8820-21612	8130-21611	2870-17770	2870-17771	2870-17591	CAM12X25
1877-17035	160mm	3 jaw 90°	A2-5	2870-17610	2870-17760	2877-17035	8820-21612	8130-21611	2870-17770	2870-17771	2870-17591	CAM12X25
1877-17040	160mm	3 jaw 90°	A2-5	2870-17610	2870-17760	2877-17040	8820-21612	8130-21611	2870-17770	2870-17771	2870-17591	CAM12X25
1877-17045	160mm	3 jaw 90°	Recess	2870-17610	2870-17760	2877-17047	8820-21612	2877-17046	2870-17770	2870-17771	2870-17591	CAM12X25
1877-17050	160mm	3 jaw 90°	No details of source chuck.			2877-17051	-	-	-	-	-	-
1877-17055	160mm	3 jaw 90°	No details of source chuck. Special mount.			-	-	-	-	-	-	-
1877-17060	160mm	3 jaw	(Matrix)	2879-00063	2877-17060	-	7879-17010	7879-17016/	2879-00062	2879-00066	2879-00064	CAM10X25
1877-17065	160mm	3 jaw 90°	A2-5	2870-17610	2870-17760	2877-17065	8820-21612	8130-21611	2870-17770	2870-17771	2870-17591	CAM12X25
1877-21000	200mm	3 jaw 90°	A2-6	2870-21610	2870-21760	2877-21000	8820-21612	8130-21611	2870-17770	2870-17771	2870-17591	CAM12X25





Chuck no.	Size	Type	Mount	Base Jaws (set)	Sleeve	Drawtube Connector	Soft Top Jaws (3)	Hard Top Jaws (3)	Pilot Bush	Cover Plate	Tee Nut 6 per chuck	Tee Nut Screw
1877-32070	315mm		No details of source chuck. A2-11 mount.			2877-32070						
1877-32075	315mm	3 jaw 90°	Recess	2870-32610	2870-32760	2877-32075	8820-31612	8130-31611	2870-32770	2870-32771	2870-26591	CAM16X35
1877-32080	315mm	3 jaw 90°	A2-11	2870-32610	2870-32760	2877-32080	8820-31612	8130-31611	2870-32770	2870-32771	2870-26591	CAM16X35
1877-32085	315mm	3 jaw 90°	A2-8	2870-32610	2870-32760	2877-32085	8820-31612	8130-31611	2870-32770	2870-32771	2870-26591	CAM16X35
1877-32090	315mm	3 jaw 90°	DIN 8	2870-32610	2870-32760	2877-32090	8820-31612	8130-31611	2870-32770	2870-32771	2870-26591	CAM16X35
1877-32100	315mm	3 jaw 90°	A2-11	2870-32610	2870-32760	2877-32100	8820-31612	8130-31611	2870-32770	2870-32771	2870-26591	CAM16X35
1877-32105	315mm	3 jaw 90°	A2-8	2870-32610	2870-32760	2877-32105	8820-31612	8130-31611	2870-32770	2870-32771	2870-26591	CAM16X35
1877-32110	315mm	3 jaw 90°	A2-8	2870-32610	2870-32760	2877-32110	7879-32003	8130-31611	2870-32770	2870-32771	2870-26591	CAM16X35
1877-32120	315mm	3 jaw 90°	A2-8	2870-32610	2870-32760	2877-32120	8820-31612	8130-31611	2870-32770	2870-32771	2870-26591	CAM16X35
1877-32130	315mm	3 jaw 90°	A2-11	2870-32610	2870-32760	2877-32130	8820-31612	8130-31611	2870-32770	2870-32771	2870-26591	CAM16X35
1877-32135	315mm	3 jaw 90°	A2-8	2870-32610	2870-32760	2877-32130	8820-31612	8130-31611	2870-32770	2870-32771	2870-26591	CAM16X35
1877-32140	315mm	3 jaw 90°	Recess	2870-32530	2870-32760	2877-32140	2860-32632		2870-32770	2870-32771	2870-26591	CAM16X35
1877-32145	315mm	3 jaw 90°	BS 7.5"	2870-32610	2870-32760	2877-32145	8820-31612	8130-31611	2870-32770	2870-32771	7879-32000	
1877-32150	315mm	3 jaw 90°	A2-8	2870-32610	2870-32760	2877-32150	8820-31612	8130-31611	2870-32770	2870-32771	2870-26591	CAM16X35
1877-32155	315mm	3 jaw 90°	Recess	2870-32530	2870-32760	2877-32155	2860-32632		2870-32770	2870-32771	2870-26591	CAM16X35
1877-32160	315mm	3 jaw 90°	D1-11	2870-32610	2870-32760	2877-32160	8820-31612	8130-31611	2870-32770	2870-32771	2870-26591	CAM16X35
1877-32165	315mm	3 jaw 90°	A2-11	2870-32610	2870-32760	2877-32165	8820-31612	8130-31611	2870-32770	2870-32771	2870-26591	CAM16X35
1877-32170	315mm	3 jaw 90°	A2-8	2870-32610	2870-32760	2877-32170	8820-31612	8130-31611	2870-32770	2870-32771	2870-26591	CAM16X35
1877-32175	315mm	3 jaw 90°	D1-11	2870-32610	2870-32760	2877-32175	8820-31612	8130-31611	2870-32770	2870-32771	2870-26591	CAM16X35
1877-32180	315mm	3 jaw 90°	A2-8	2870-32610	2870-32760	2877-32180	8820-31612	8130-31611	2870-32770	2870-32771	2877-32181	
1877-32185	315mm	3 jaw 90°	A2-11	2870-32610	2870-32760	2877-32185	8820-31612	8130-31611	2870-32770	2870-32771	2877-32186	CAM16X35
1877-32190	315mm	3 jaw 90°	A2-8	2870-32610	2870-32760	2877-32190	8820-31612	8130-31611	2870-32770	2870-32771	2870-26591	CAM16X35
1877-32195	315mm	3 jaw 90°	D1-11	2870-32610	2870-32760	2877-32195	8820-31612	8130-31611	2870-32770	2870-32771	2870-26591	CAM16X35
1877-32200	315mm	3 jaw 90°	Recess	2870-32610	2870-32760	2870-32777	8820-31612	8130-31611	2870-32770	2870-32771	2870-26591	CAM16X35
1877-40000	400mm	3 jaw 90°	Recess	2870-40610	2870-40760	2877-40000	8820-38612	8130-40611	2870-40770	2870-40771	2870-40591	CAM20X35
1877-40006	400mm	3 jaw 90°	DIN 8	2870-40610	2870-40760	2877-40005	8820-38612	8130-40611	2870-40770	2870-40771	2870-40591	CAM20X35
1877-40010	400mm	3 jaw 90°	Recess	2870-40610	2870-40760	2877-40011	8820-38612	8130-40611	2870-40770	2870-40771	2870-40591	CAM20X35
1877-40015	400mm	3 jaw 90°	A2-11	2877-40016	2870-40760	2877-40015			2870-40770	2870-40771	2980-38590	
1877-40020	400mm	3 jaw 90°	A2-8	2870-40610	2870-40760	2877-40020	8820-38612	8130-40611	2870-40770	2870-40771	2870-40591	CAM20X35
1877-40025	400mm	3 jaw 90°	A2-11	2870-40610	2870-40760	2877-40025	8820-38612	8130-40611	2870-40770	2870-40771	2870-40591	CAM20X35
1877-40030	400mm	3 jaw 90°	A2-8	2870-40610	2870-40760	2877-40030	8820-38612	8130-40611	2870-40770	2870-40771	2870-40591	CAM20X35
1877-40035	400mm	3 jaw 90°		2870-40610	2870-40760	2877-40030	8820-38612	8130-40611	2870-40770	2870-40771	2870-40591	CAM20X35
1877-40040	400mm	3 jaw 90°	A2-8	2870-40610	2870-40760	2877-40040	8820-38612	8130-40611	2870-40770	2870-40771	2870-40591	CAM20X35
1877-40045	400mm	3 jaw 90°	A2-8	2877-40045	2870-40760	2877-40040			2870-40770	2870-40771	2870-40591	CAM20X35
1877-40050	400mm	3 jaw 90°	A2-11	2870-40610	2870-40760	n/a	8820-38612	8130-40611	2870-40770	2870-40771	2870-40591	CAM20X35
1877-40055	400mm	3 jaw 90°	A2-11	2870-40610	2870-40760	2877-40055	8820-38612	8130-40611	2870-40770	2870-40771	2870-40591	CAM20X35
1877-40060	400mm	3 jaw 90°	A2-8	2870-40610	2870-40760	2877-40060	8820-38612	8130-40611	2870-40770	2870-40771	2870-40591	CAM20X35
1877-40065	400mm	3 jaw 90°	D1-11	2870-40610	2870-40760	2877-40065	8820-38612	8130-40611	2870-40770	2870-40771	2870-40591	CAM20X35
1879-00010	165mm	3 jaw	A2-5 Herb.	2879-00013			8820-21512	8130-21611	2879-00012		2870-17591	CAM12X25
1879-00060	165mm	3 jaw	Matrix	2879-00063	2879-00061		7879-17010	7879-17016/	2879-00062	2879-00066	2879-00064	CAM10X25
			(All parts for the above chuck are completely non-standard)					(single jaw)	015/017			
9820-01310	125mm	3 jaw 90°	Recess	8820-13610	8820-13760		8820-13612	8820-13611	8820-13770	8820-13771	8820-13590	CAM8X20
9820-01710	165mm	3 jaw 90°	Recess	8820-17610	8820-17760	8820-17777	8820-17612	8130-17611	8820-17770	8820-17771	8820-17591	CAM8X20
9820-02110	210mm	3 jaw 90°	Recess	8820-21610	8820-21760	8820-21777	8820-21612	8130-21611	8820-21770	8820-21771	2870-17591	CAM12X30
9820-02610	254mm	3 jaw 90°	Recess	8820-26610	8820-26760	8820-26777	8820-26612	8130-21611	8820-26770	8820-26771	2870-17591	CAM12X30
9820-03110	305mm	3 jaw 90°	Recess	8820-31610	8820-31760	8820-31777	8820-31612	8130-31611	8820-31770	8820-31771	2870-26591	CAM16X35
9820-03810	380mm	3 jaw 90°	Recess	8820-38610	8820-40760	8820-40777	8820-38612	8130-40611	8820-40770	8820-40771	2870-40591	CAM20X35
9820-04010	400mm	3 jaw 90°	Recess									
9821-11310	125mm	3 jaw 90°	A2-3	8820-13610	8820-13760		8820-13612	8820-13611	8820-13770	8820-13771	8820-13590	CAM8X20
9821-11323	125mm	3 jaw 60°	A2-3				8820-13625	8820-13624			8820-13590	CAM8X20



Chuck no.	Size	Type	Mount	Base Jaws (set)	Sleeve	Drawtube Connector	Soft Top Jaws (3)	Hard Top Jaws (3)	Pilot Bush	Cover Plate	Tee Nut 6 per chuck	Tee Nut Screw
9821-21310	125mm	3 jaw 90°	A2-4	8820-13610	8820-13760		8820-13612	8820-13611	8820-13770	8820-13771	8820-13590	CAM8X20
9821-21323	125mm	3 jaw 60°	A2-4	8820-13623	8820-13760		8820-13625	8820-13624	8820-13770	8820-13771	8820-13590	CAM8X20
9821-21707	165mm	3 jaw (X-Tenon)	A2-4								-	-
9821-21710	165mm	3 jaw Int. 90°	A2-4	8820-17610	8820-17760	8820-17777	8820-17612	8130-17611	8820-17770	8820-17771	8820-17591	CAM8X20
9821-21723	165mm	3 jaw Int. 60°	A2-4	8820-17623	8820-17760	8820-17777	8820-17625	8130-17624	8820-17770	8820-17771	8130-17590	CAM10X25
9821-31523	150mm	3 jaw Int. 60°	A2-5	8820-15623	8820-15760		8820-13625	8820-13624	8820-15770	-	8820-13590	CAM5X16
9821-31707	165mm	3 jaw (X-Tenon)	A2-5	8820-17607							-	-
9821-31710	165mm	3 jaw Int. 90°	A2-5	8820-17610	8820-17760	8820-17777	8820-17612	8130-17611	8820-17770	8820-17771	8820-17591	CAM8X20
9821-31723	165mm	3 jaw Int. 60°	A2-5	8820-17623	8820-17760	8820-17777	8820-17625	8130-17624	8820-17770	8820-17771	8130-17590	CAM10X25
9821-32107	210mm	3 jaw (X-Tenon)	A2-5	8820-21607	8820-21760		8130-21509		8820-21770	8820-21771	-	-
9821-32110	210mm	3 jaw Int. 90°	A2-5	8820-21610	8820-21760	8820-21777	8820-21612	8130-21611	8820-21770	8820-21771	2870-17591	CAM12X30
9821-32123	210mm	3 jaw Int. 60°	A2-5	8820-21623	8820-21760	8820-21777	8820-21625	8130-21624	8820-21770	8820-21771	8130-21590	CAM12X30
9821-42107	210mm	3 jaw (X-Tenon)	A2-6	8820-21607	8820-21760	8820-21777	8130-21509		8820-21770	8820-21771	-	-
9821-42110	210mm	3 jaw Int. 90°	A2-6	8820-21610	8820-21760	8820-21777	8820-21612	8130-21611	8820-21770	8820-21771	2870-17591	CAM12X30
9821-42123	210mm	3 jaw Int. 60°	A2-6	8820-21623	8820-21760	8820-21777	8820-21625	8130-21624	8820-21770	8820-21771	8130-21590	CAM12X30
9821-42210	210mm	3 jaw Int. 90°	A2-6 (LB)	8820-22610	8820-22760	8820-22777	8820-21612	8130-21611	8820-22770	8820-22771	2870-17591	
9821-42223	210mm	3 jaw 60° Torn.	A2-6 (LB)	8820-22623	8820-22760	8820-22777	8820-21625	8130-21624	8820-22770	8820-22771	8130-21590	CAM12X30
9821-42607	254mm	3 jaw (X-Tenon)	A2-6	8820-26607	8820-26760	8820-26777		-	8820-26770	8820-26771	-	-
9821-42610	254mm	3 jaw Int. 90°	A2-6	8820-26610	8820-26760	8820-26777	8820-26612	8130-21611	8820-26770	8820-26771	2870-17591	CAM12X30
9821-42623	254mm	3 jaw Int. 60°	A2-6	8820-26623	8820-26760	8820-26777	8820-26625	8130-26624	8820-26770	8820-26771	8130-26590	CAM12X30
9821-52610	254mm	3 jaw Int. 90°	A2-8	8820-26610	8820-26760	8820-26777	8820-26612	8130-21611	8820-26770	8820-26771	2870-17591	CAM12X30
9821-52623	254mm	3 jaw Int. 60°	A2-8	8820-26623	8820-26760	8820-26777	8820-26625	8130-26624	8820-26770	8820-26771	8130-26590	CAM12X30
9821-52710	265mm	3 jaw Int. 90°	A2-8	8820-26610	8820-27760	8820-27777	8820-26612	8130-21611	8820-27770	8820-27771	2870-17591	CAM12X30
9821-53107	305mm	3 jaw (X-Tenon)	A2-8	8820-31607	8820-31760	8820-31777		-	8820-31770	8820-31771	-	-
9821-53110	305mm	3 jaw Int. 90°	A2-8	8820-31610	8820-31760	8820-31777	8820-31612	8130-31611	8820-31770	8820-31771	2870-26591	CAM16X35
9821-53123	305mm	3 jaw Int. 60°	A2-8	8820-31623	8820-31760	8820-31777	8820-31625	8130-31624	8820-31770	8820-31771	8130-31590	CAM14X40
9821-53807	380mm	3 jaw (X-Tenon)	A2-8		8820-40760	8820-40777	-	-	8820-40770	8820-40771	-	-
9821-53810	380mm	3 jaw Int. 90°	A2-8	8820-38610	8820-40760	8820-40777	8820-38612	8130-40611	8820-40770	8820-40771	2870-40591	CAM20X35
9821-53823	380mm	3 jaw Int. 60°	A2-8	8820-40623	8820-40760	8820-40777	8820-38625	8130-40624	8820-40770	8820-40771	8130-40590	CAM20X50
9821-63110	305mm	3 jaw Int. 90°	A2-11	8820-31610	8820-31760	8820-31777	8820-31612	8130-31611	8820-31770	8820-31771	2870-26591	CAM16X35
9821-63123	305mm	3 jaw Int. 60°	A2-11	8820-31623	8820-31760	8820-31777	8820-31625	8130-31624	8820-31770	8820-31771	8130-31590	CAM14X40
9821-63807	380mm	3 jaw (X-Tenon)	A2-11								-	-
9821-63810	380mm	3 jaw Int. 90°	A2-11	8820-38610	8820-40760	8820-40777	8820-38612	8130-40611	8820-40770	8820-40771	2870-40591	CAM20X35
9821-63823	380mm	3 jaw Int. 60°	A2-11	8820-40623	8820-40760	8820-40777	8820-38625	8130-40624	8820-40770	8820-40771	8130-40590	CAM20X50
9821-54623	460mm	3 jaw Int. 60°	A2-8	8820-46623	8820-53760	8820-53777	8820-38625	8130-40624	8820-53770	8820-53771	8820-46524	
9821-64610	460mm	3 jaw Int. 90°	A2-11									
9821-64623	460mm	3 jaw Int. 60°	A2-11	8820-46623	8820-53760	8820-53777	8820-38625	8130-40624	8820-53770	8820-53771	8820-46524	
9821-65310	530mm	3 jaw Int. 90°	A2-11	8820-53610	8820-53760	8820-53777	8820-38612	8130-40611	8820-53770	8820-53771	8820-61524	
9821-65323	530mm	3 jaw Int. 60°	A2-11	8820-53623	8820-53760	8820-53777	8820-38625	8130-40624	8820-53770	8820-53771	8820-61524	



Chuck no.	Size	Type	Mount	Base Jaws (set)	Sleeve	Drawtube Connector	Soft Top Jaws (3)	Hard Top Jaws (3)	Pilot Bush	Cover Plate	Tee Nut 6 per chuck	Tee Nut Screw
9821-66123	610mm	3 jaw Int. 60°	A2-11	8820-61623	8820-61760	8820-61777	8820-38625	8130-40624	8820-61770	8820-61771	8820-61524	
9821-75323	530mm	3 jaw Int. 60°	A2-15	8820-53623	8820-53760	8820-53777	8820-38625	8130-40624	8820-53770	8820-53771	8820-61524	
9821-76123	610mm	3 jaw Int. 60°	A2-15	8820-61623	8820-61760	8820-61777	8820-38625	8130-40624	8820-61770	8820-61771	8820-61524	
9827-13000	125mm	3 jaw Int. 90°	D1-3	8820-13610	8827-13000		8820-13612	8820-13611	8820-13770		8820-13590	CAM8X20
9827-13010	125mm	3 jaw Int. 90°	A2-4	8820-13610	8827-13010		8820-13612	8820-13611	8820-13770	8820-13771	8820-13590	CAM8X20
9827-13020	125mm	Details incorrect.										
9827-13030	125mm	3 jaw Int. 60°	A2-5	8820-13623	8827-13010	8827-13031	8820-13625	8820-13624	8820-13770	8820-13771	8820-13590	CAM8X20
9827-13040	125mm	3 jaw Int. 90°	A2-4	8820-13610	8827-13041		8820-13612	8820-13611	8827-13042	8820-13771	8820-13590	CAM8X20
9827-13050	125mm	3 jaw Int. 90°	A2-5	8820-13610	8827-13010		8820-13612	8820-13611	8820-13770	8820-13771	8820-13590	CAM8X20
9827-13060	125mm	3 jaw Int. 60°	A2-4	8820-13623	8827-13060		8820-13625	8820-13624	8820-13770	8820-13771	8820-13590	CAM5X16
9827-13070	125mm	3 jaw Int. 90°	A2-4	8820-13610	8827-13060		8820-13612	8820-13611	8820-13770	8820-13771		
9827-15000	150mm	3 jaw Int. 60° Hurricane 80		8820-15623	8820-15760		8820-13625	8820-13624	8820-15770	-	8820-13590	



Chuck no.	Size	Type	Mount	Base Jaws (set)	Sleeve	Drawtube Connector	Soft Top Jaws (3)	Hard Top Jaws (3)	Pilot Bush	Cover Plate	Tee Nut 6 per chuck	Tee Nut Screw
9827-15010	150mm	3 jaw Int.		No details of source chuck.								
9827-15020	150mm	3 jaw 60°	A2-4	8820-15623	8820-15761		8820-13625	8820-13624	8820-15770	-	8820-13590	CAM5X16
9827-15030	150mm	3 jaw 60°	D1-3	8820-15623	8820-15762		8820-13625	8820-13624	8820-15770	-	8820-13590	CAM5X16
9827-15040	150mm	3 jaw 60°	A2-4	8820-15623	8820-15040		8820-13625	8820-13624	8820-15770	-	8820-13590	CAM5X16
9827-15050	150mm	3 jaw 60°	Spec.	8820-15623	8820-15760		8820-13625	8820-13624	8820-15770	-	8820-13590	CAM5X16
9827-17000	165mm		A2-5	8827-17000	8827-17004	8827-17001	8820-17625	8130-17624	8827-17002		2879-00064	
9827-17005	165mm	3 jaw 60°	D1-5	8820-17623	8820-17760	8827-17005	8820-17625	8130-17624	8820-17770	8820-17771	8130-17590	CAM10X25
9827-17010	165mm	3 jaw 90°	A2-5	8820-17610	8820-17760	8827-17010	8820-17612	8130-17611	8820-17770	8820-17771	8130-17591	CAM8X20
9827-17015	165mm	3 jaw 90°		8820-17610	8820-17760	8827-17015	8820-17612	8130-17611	8820-17770	8820-17771	8130-17591	CAM8X20
9827-17020	165mm	3 jaw 90°	CLC A2-5	8820-17610	8820-17760	8827-17020	8820-17612	8130-17611	8820-17770	8820-17771	8820-17591	CAM8X20
9827-17025	165mm	3 jaw 60°	A2-5	8820-17623	8820-17760	8827-17020	8820-17625	8130-17624	8820-17770	8820-17771	8130-17590	CAM10X25
9827-17030	165mm	3 jaw 90°		8820-17610	8820-17760	8827-17030	8820-17612	8130-17611	8820-17770	8820-17771	8820-17591	CAM8X20
9827-17035	165mm	3 jaw 60°	A2-4	8820-17623	8820-17760	8827-17035	8820-17625	8130-17624	8820-17770	8820-17771	8130-17590	CAM10X25
9827-17060	165mm	3 jaw 90°		8820-17610	8820-17760	8827-17020	8820-17612	8130-17611	8820-17770	8820-17771	8820-17591	CAM8X20
9827-17070	165mm	3 jaw 90°	CLC A2-5	8820-17610	8820-17760	8827-17070	8820-17612	8130-17611	8820-17770	8820-17771	8820-17591	CAM8X20
9827-17080	165mm	3 jaw 60°		8820-17623	8820-17760	8827-17020	8820-17625	8130-17624	8820-17770	8820-17771	8130-17590	CAM10X25
9827-17085	165mm	3 jaw 90°	A2-5	8820-17610	8820-17760	8827-17085	8820-17612	8130-17611	8820-17770	8820-17771	8820-17591	CAM8X20
9827-17090	165mm	3 jaw 60°	Cinc.	8820-17623	8820-17760	8827-17090	8820-17625	8130-17624	8820-17770	8820-17771	8130-17590	CAM10X25
9827-17100	165mm	3 jaw 90°		8827-17100	8820-17760	8827-17102	8820-17612	8130-17611	8820-17770	8820-17771	8827-17101	CAM8X20
9827-17110	165mm	3 jaw 60° Torn.	A2-5	8820-17623	8820-17760	8827-17110	8820-17625	8130-17624	8820-17770	8820-17771	8130-17590	CAM10X25
9827-17120	165mm	No source chuck.		8827-17120								
9827-17130	165mm	3 jaw 90°	A2-5	8820-17610	8820-17760	8827-17130	8820-17612	8130-17611	8820-17770	8820-17771	8820-17591	CAM8X20
9827-17140	165mm	3 jaw 90°	Spec.	8820-17610	8820-17760	8827-17141	8820-17612	8130-17611	8820-17770	8820-17771	8820-17591	CAM8X20
9827-17150	165mm	3 jaw 90°		8820-17610	8820-17760	8827-17110	8820-17612	8130-17611	8820-17770	8820-17771	8820-17591	CAM8X20
9827-17160	165mm	3 jaw 90°	A2-5	8820-17610	8820-17760	8827-17160	8820-17612	8130-17611	8820-17770	8820-17771	8820-17591	CAM8X20
9827-17170	165mm	3 jaw 90°	BS 5.25"	8820-17610	8820-17760	8820-17760	8820-17612	8130-17611	8820-17770	8820-17771	8820-17591	CAM8X20
9827-17180	165mm	3 jaw 90°	BS 5.25"	8820-17610	8820-17760	8820-17760	8820-17612	8130-17611	8820-17770	8820-17771	8820-17591	CAM8X20
9827-18000	170mm	3 jaw 60° Torn.	A2-5	8820-18623	8829-17001	8827-18000	8820-17625	8130-17624	8829-17003	8829-17005	8130-17590	CAM10X25
9827-18010	170mm	3 jaw 60° Torn.	A2-5	8820-18623	8829-17001	8827-18010	8820-17625	8130-17624	8829-17003	8829-17005	8130-17590	CAM10X25
9827-18020	170mm	3 jaw 90°		8829-17002	8829-17001	8827-18000	8820-17612	8130-17611	8829-17003	8829-17005	8820-17591	CAM8x20
9827-18040	170mm	3 jaw 90° Torn.	A2-5	8820-18610	8829-17001	8827-18010	8820-17612	8130-17611	8829-17003	8829-17005	8820-17591	CAM8x20
9827-18060	170mm	3 jaw 60°	D1-4	8820-18623	8829-17001	8827-18060	8820-17625	8130-17624	8829-17003	8829-17005	8130-17590	CAM10X25
9827-18070	170mm	3 jaw 60°		8820-18623	8829-17001	8827-18070	8820-17625	8130-17624	8829-17003	8829-17005	8130-17590	CAM10X25
9827-18080	170mm	3 jaw 60°		8820-18623	8829-17001	8827-18080	8820-17625	8130-17624	8829-17003	8829-17005	8130-17590	CAM10X25
9827-18090	170mm	3 jaw 60°	190mm rec.	8820-18623	8829-17001	8829-17001	8820-17625	8130-17624	8829-17003	8829-17005	8130-17590	CAM10X25
9827-18100	170mm	3 jaw 60°	A2-5	8820-18623	8829-17001	8827-18101	8820-17625	8130-17624	8829-17003	8829-17005	8130-17590	CAM10X25
9827-18110	170mm	3 jaw 60°	A2-5	8820-18623	8829-17001	8827-18111	8820-17625	8130-17624	8829-17003	8829-17005	8130-17590	CAM10X25
9827-18120	170mm	3 jaw 90°	A2-5	8820-18610	8829-17001	8827-18120	8820-17612	8130-17611	8829-17003	8829-17005	8820-17591	CAM8x20
9827-18130	170mm	3 jaw 60°	recess	8820-18623	8829-17001	8827-18010	8820-17625	8130-17624	8829-17003	8829-17005	8130-17590	CAM10X25
9827-18140	170mm	3 jaw 60°	A2-5	8820-18623	8829-17001	8829-17004	8820-17625	8130-17624	8829-17003	8829-17005	8130-17590	CAM10X25
9827-18150	170mm	3 jaw 60°	A2-5	8820-18623	8829-17001	8827-18150	8820-17625	8130-17624	8829-17003	8829-17005	8130-17590	CAM10X25
9827-18160	170mm	3 jaw 90°	special	8820-18610	8829-17001	8829-17004	8820-17612	8130-17611	8829-17003	8829-17005	8820-17591	CAM8x20
9827-18170	170mm	3 jaw 60°	recess	8820-18623	8829-17001	8829-17004	8820-17625	8130-17624	8829-17003	8829-17005	8130-17590	CAM10x25
9827-21000	210mm	No details of source chuck.		60° jaws, D1-6 mount. 8827-21000								
9827-21010	210mm	3 jaw 90°	BS 5.25"	8820-21610	8820-21760	8820-21777	8820-21612	8130-21611	8820-21770	8820-21771	7879-21000	CAM12X30
9827-21015	210mm	3 jaw 90°	A2-5	8820-21610	8820-21760	8827-21015	8820-21612	8130-21611	8820-21770	8820-21771	7879-21000	CAM12X30
9827-21020	210mm	3 jaw 90°	CLC D1-6	8820-21610	8820-21760	8827-21020	8820-21612	8130-21611	8820-21770	8820-21771	2870-17591	CAM12X30
9827-21025	210mm	3 jaw 60°		8820-21623	8820-21760	8827-21025	8820-21625	8130-21624	8820-21770	8820-21771	8130-21590	CAM12X30
9827-21030	210mm	3 jaw 90°	A2-5	8820-21610	8820-21760	8827-21020	8820-21612	8130-21611	8820-21770	8820-21771	2870-17591	CAM12X30



Chuck no.	Size	Type	Mount	Base Jaws (set)	Sleeve	Drawtube Connector	Soft Top Jaws (3)	Hard Top Jaws (3)	Pilot Bush	Cover Plate	Tee Nut 6 per chuck	Tee Nut Screw
9827-21035	210mm	3 jaw 90°		8820-21610	8820-21760	8827-21035	8820-21612	8130-21611	8820-21770	8820-21771	2870-17591	CAM12X30
9827-21040	210mm	3 jaw 60°	A2-5	8820-21623	8820-21760	8827-21030	8140-21625	8130-21624	8820-21770	8820-21771	8130-21590	CAM12X30
9827-21045	210mm	X-Tenon		8827-21045	8820-21760				8820-21770	8820-21771		
9827-21050	210mm	3 jaw 60°	A2-6	8820-21623	8820-21760	8827-21035	8820-21625	8130-21624	8820-21770	8820-21771	8130-21590	CAM12X30
9827-21055	210mm	3 jaw 90°	A2-6	8820-21610	8820-21760	8827-21055	8820-21612	8130-21611	8820-21770	8820-21771	2870-17591	CAM12X30
9827-21060	210mm	3 jaw 90°	A2-6	8820-21610	8820-21760	8827-21060	8820-21612	8130-21611	8820-21770	8820-21771	2870-17591	CAM12X30
9827-21065	210mm	3 jaw 60°	A2-5	8820-21623	8820-21760	8827-21030	8820-21625	8130-21624	8820-21770	8820-21771	8130-21590	CAM12X30
9827-21070	210mm	3 jaw 60°	A2-5	8820-21623	8820-21760	8827-21020	8820-21625	8130-21624	8820-21770	8820-21771	8130-21590	CAM12X30
9827-21080	210mm	3 jaw 90°		8820-21610	8820-21760	8827-21080	8820-21612	8130-21611	8820-21770	8820-21771	2870-17591	CAM12X30
9827-21090	210mm	3 jaw 90°	A2-6	8820-21610	8820-21760	8827-21090	8820-21612	8130-21611	8820-21770	8820-21771	2870-17591	CAM12X30
9827-21100	210mm	3 jaw 60°	A2-6	8820-21623	8820-21760	8827-21100	8820-21625	8130-21624	8820-21770	8820-21771	8130-21590	CAM12X30
9827-21110	210mm	3 jaw 60°		8820-21623	8820-21760	8827-21110	8820-21625	8130-21624	8820-21770	8820-21771	8130-21590	CAM12X30
9827-21120	210mm	3 jaw 60°	A2-6	8820-21623	8820-21760	8827-21120	8820-21625	8130-21624	8820-21770	8820-21771	8130-21590	CAM12X30
9827-21130	210mm	3 jaw 60°	A2-6	8820-21623	8820-21760	8827-21130	8820-21625	8130-21624	8820-21770	8820-21771	8820-21590	CAM12X30
9827-21140	210mm	3 jaw 90°	A2-6	8820-21610	8820-21760	8827-21030	8820-21612	8130-21611	8820-21770	8820-21771	2870-17591	CAM12X30
9827-21150	210mm	3 jaw 90°		8820-21610	8820-21760	8827-21130	8820-21612	8130-21611	8820-21770	8820-21771	2870-17591	CAM12X30
9827-21160	210mm	3 jaw 60°	A2-5	8820-21623	8820-21760	8827-21160	8820-21625	8130-21624	8820-21770	8820-21771	8820-21590	CAM12X30
9827-21170	210mm	3 jaw 90°		8820-21610	8820-21760	8827-21160	8820-21612	8130-21611	8820-21770	8820-21771	2870-17591	CAM12X30
9827-21180	210mm	3 jaw 90°	A2-6	8820-21610	8820-21760	8827-21180	8820-21612	8130-21611	8820-21770	8820-21771	2870-17591	CAM12X30
9827-21190	210mm	3 jaw 90°		8820-21610	8820-21760	8827-21192	8820-21612	8130-21611	8820-21770	8820-21771	2870-17591	CAM12X30
9827-21200	210mm	3 jaw 90°	A2-6	8820-21610	8820-21760	8827-21055	8820-21612	8130-21611	8820-21770	8820-21771	2870-17591	CAM12X30
9827-21210	210mm	3 jaw 60°	A2-5	8820-21623	8827-21000	8827-21211	8820-21625	8130-21624	8820-21770	8820-21771	8820-21590	CAM12X30
9827-21220	210mm	3 jaw 60°	A2-6	8820-21623	8820-21760	8827-21220	8820-21625	8130-21624	8820-21770	8820-21771	8820-21590	CAM12X30
9827-21225	210mm	3 jaw XT	A2-5	8820-21607	8820-21760	8827-21225			8820-21770	8820-21771		
9827-21230	210mm	3 jaw 90°	A2-6	8820-21610	8820-21760	8827-21230	8820-21612	8130-21611	8820-21770	8820-21771	2870-17591	CAM12X30
9827-21240	210mm	3 jaw 60°	A2-6	8820-21623	8820-21760	8827-21240	8820-21625	8130-21624	8820-21770	8820-21771	8820-21590	CAM12X30
9827-21250	210mm	3 jaw 60°	A2-6	8820-21623	8820-21760	8827-21250	8820-21625	8130-21624	8820-21770	8820-21771	8820-21590	CAM12X30
9827-21260	210mm	3 jaw 60°	A2-6	8820-21623	8820-21760	8827-21260	8820-21625	8130-21624	8820-21770	8820-21771	8820-21590	CAM12X30
9827-21270	210mm	3 jaw 90°	A2-6	8820-21610	8820-21760	8827-21270	8820-21612	8130-21611	8820-21770	8820-21771	2870-17591	CAM12X30
9827-21280	210mm	3 jaw 60°	A2-5 ext.	8820-21623	8820-21760	8827-21280	8820-21625	8130-21624	8820-21770	8820-21771	8820-21590	CAM12X30
9827-22000	210mm	60° Torn.	A2-6 (KB)	8820-22623	8820-22760	8827-22000	8820-21625	8130-21624	8820-22770	8820-22771	8130-21590	CAM12X30
9827-22010	210mm	90° Torn.	A2-6 (KB)	8820-22610	8820-22760	8827-22000	8820-21612	8130-21611	8820-22770	8820-22771	2870-17591	CAM12X30
9827-22020	210mm	3 jaw 90°	A2-6	8820-22610	8820-22760	8827-22000	8820-21612	8130-21611	8820-22770	8820-22771	2870-17591	CAM12X30
9827-22030	210mm	3 jaw 60°	A2-6	8820-22623	8820-22760	8827-22000	8820-21625	8130-21624	8820-22770	8820-22771	8130-21590	CAM12X30
9827-22040	210mm	60° Torn.	A2-6 (KB)	8820-22623	8820-22760	8827-26777	8820-21625	8130-21624	8820-22770	8820-22771	8130-21590	CAM12X30
9827-22050	210mm	3 jaw 90°	140mm	8820-22610	8820-22760	8827-22050	8820-21612	8130-21611	8820-22770	8820-22771	2870-17591	CAM12X30
9827-22060	210mm	3 jaw 90°	140mm	8820-22610	8820-22760	8827-22060	8820-21612	8130-21611	8820-22770	8820-22771	2870-17591	CAM12X30
9827-22070	210mm	3 jaw 60°	A2-6 (KB)	8820-22623	8820-22760	8827-22060	8820-21625	8130-21624	8820-22770	8820-22771	8130-21590	CAM12X30
9827-22080	210mm	3 jaw 60°	D1-6	8820-22623	8820-22760	8827-22080	8820-21625	8130-21624	8820-22770	8820-22771	8130-21590	CAM12X30
9827-22090	210mm	3 jaw 60°	A2-6 (KB)	8820-22623	8820-22760	8827-22000	8820-21625	8130-21624	8820-22770	8820-22771	8130-21590	CAM12X30
9827-22100	210mm	3 jaw 60°	A2-8 (KB)	8820-22623	8820-22760	8827-22100	8820-21625	8130-21624	8820-22770	8820-22771	8130-21590	CAM12X30
9827-22110	210mm	3 jaw 60°	A2-6 (KB)	8820-22623	8820-22760	8827-22110	8820-21625	8130-21624	8820-22770	8820-22771	8130-21590	CAM12X30
9827-26000	254mm	3 jaw 60°	D1-8	8820-26623	8820-26760	8827-26000	8820-26625	8130-26624	8820-26770	8820-26771	8130-26590	CAM12X30
9827-26010	254mm	3 jaw 90°	A2-6	8820-26610	8820-26760	8827-26010	8820-26612	8130-21611	8820-26770	8820-26771	2870-17591	CAM12X30
9827-26020	254mm	3 jaw 90°	A2-8	8820-26610	8820-26760	8827-26020	8820-26612	8130-21611	8820-26770	8820-26771	2870-17591	CAM12X30
9827-26030	254mm	3 jaw 60°	A2-8	8820-26623	8820-26760	8827-26030	8820-26625	8130-26624	8820-26770	8820-26771	8130-26590	CAM12X30
9827-26040	254mm	3 jaw 90°	A2-8	8820-26610	8820-26760	8827-26040	8820-26612	8130-21611	8820-26770	8820-26771	2870-17591	CAM12X30
9827-26050	254mm	3 jaw 90°	A2-8	8820-26610	8820-26760	8827-26050	8820-26612	8130-21611	8820-26770	8820-26771	2870-17591	CAM12X30
9827-26060	254mm	3 jaw 60°	A2-6	8820-26623	8820-26760	8827-26060	8820-26625	8130-26624	8820-26770	8820-26771	8130-26590	CAM12X30





Chuck no.	Size	Type	Mount	Base Jaws (set)	Sleeve	Drawtube Connector	Soft Top Jaws (3)	Hard Top Jaws (3)	Pilot Bush	Cover Plate	Tee Nut 6 per chuck	Tee Nut Screw
9827-26070	254mm	X-Tenon	A2-6	8820-26607	8820-26760	8827-26070	-	-	8820-26770	8820-26771	-	-
9827-26080	254mm	3 jaw 90°	A2-6	8820-26610	8820-26760	8827-26080	8820-26612	8130-21611	8820-26770	8820-26771	2870-17591	CAM12X30
9827-26090	254mm	3 jaw 90°	Recess	8820-26610	8820-26760	8827-26091	8820-26612	8130-21611	8820-26770	8820-26771	2870-17591	CAM12X30
9827-26100	254mm	3 jaw 60°	A2-6	8820-26623	8820-26760	8827-26100	8820-26625	8130-26624	8820-26770	8820-26771	8130-26590	CAM12X30
9827-26110	254mm	3 jaw 90°	A2-6	8820-26610	8820-26760	8827-26100	8820-26612	8130-21611	8820-26770	8820-26771	2870-17591	CAM12X30
9827-26120	254mm	3 jaw 90°	A2-6	8820-26610	8820-26760	8827-26120	8820-26612	8130-21611	8827-26121	8820-26771	8827-26122	-
9827-26130	254mm	3 jaw 90°	A2-8	8820-26610	8820-26760	8827-26130	8820-26612	8130-21611	8820-26770	8820-26771	2870-17591	CAM12X30
9827-26140	254mm	3 jaw 90°	A2-6	8820-26610	8820-26760	8827-26140	8820-26612	8130-21611	8820-26770	8820-26771	2870-17591	CAM12X30
9827-26150	254mm	3 jaw 90°	A2-8	8820-26610	8820-26760	8827-26150	8820-26612	8130-21611	8820-26770	8820-26771	2870-17591	CAM12X30
9827-26160	254mm	3 jaw 60°	A2-6 ?	8827-26160	8820-26760	8827-26162	8820-26625	8130-26624	8827-26161	8820-26771	8130-26590	CAM12X30
9827-26170	254mm	As 9821-42610 (non-setrite adaptor) except:				8827-26140	8820-26612	8130-21611	8820-26770	8820-26771	2870-17591	CAM12X30
9827-26180	254mm	3 jaw 60°	A2-6	8820-26623	8820-26760	8820-26777	8820-26625	8130-26624	8820-26770	8820-26771	8130-26590	CAM12X30
9827-26190	254mm	3 jaw 90°	170mm	8820-26610	8820-26760	8827-26030	8820-26612	8130-21611	8820-26770	8820-26771	2870-17591	CAM12X30
9827-26200	254mm	3 jaw 90°	A2-8	8820-26610	8820-26760	8827-26200	8820-26612	8130-21611	8820-26770	8820-26771	2870-17591	CAM12X30
9827-26210	254mm	3 jaw 90°	185mm	8820-26610	8820-26760	8827-26210	8820-26612	8130-21611	8820-26770	8820-26771	2870-17591	CAM12X30
9827-26220	254mm	3 jaw 90°	As 9821-52610 (captive nut) except:			8827-26200	8820-26612	8130-21611	8820-26770	8820-26771	2870-17591	CAM12X30
9827-26230	254mm	3 jaw 60°	A2-6	8820-26623	8820-26760	8827-26230	8820-26625	8130-26624	8820-26770	8820-26771	8130-26590	CAM12X30
9827-26240	254mm	3 jaw 90°	A2-6	8820-26610	8820-26760	8827-26241	8820-26612	8130-21611	8820-26770	8820-26771	2870-17591	CAM12X30
9827-26250	254mm	3 jaw 90°	A2-8	8820-26610	8820-26760	8827-26040	8820-26612	8130-21611	8820-26770	8820-26771	2870-17591	CAM12X30
9827-26260	254mm	3 jaw 90°	A2-6	8820-26610	8820-26760	8827-26080	8820-26612	8130-21611	8820-26770	8820-26771	2870-17591	CAM12X30
9827-26270	254mm	3 jaw 60°	D1-6	8820-26623	8820-26760	8827-26270	8820-26625	8130-26624	8820-26770	8820-26771	8130-26590	CAM12X30
9827-26280	254mm	3 jaw 60°	D1-8	8820-26623	8820-26760	8827-26100	8820-26625	8130-26624	8820-26770	8820-26771	8130-26590	CAM12X30
9827-26290	254mm	3 jaw 90°	A2-8	8820-26610	8820-26760	8827-26290	8820-26612	8130-21611	8820-26770	8820-26771	2870-17591	CAM12X30
9827-26300	254mm	3 jaw 90°	A2-8	8820-26610	8820-26760	8827-26300	8820-26612	8130-21611	8820-26770	8820-26771	2870-17591	CAM12X30
9827-26310	254mm	3 jaw 90°	A2-8	8820-26610	8820-26760	8827-26310	8820-26612	8130-21611	8820-26770	8820-26771	2870-17591	CAM12X30
9827-26320	254mm	3 jaw 90°	A2-8	8820-26610	8820-26760	8827-26777	8820-26612	8130-21611	8820-26770	8820-26771	2870-17591	CAM12X30
9827-26330	254mm	3 jaw 90°	A2-6	8820-26610	8820-26760	8827-26331	8820-26612	8130-21611	8820-26770	8820-26771	8827-26332	CAM12X30
9827-26340	254mm	3 jaw 60°	A2-6	8820-26623	8820-26760	8827-26340	8820-26625	8130-26624	8820-26770	8820-26771	8130-26590	CAM12X30
9827-27000	265mm	3 jaw 60°	A2-8	8820-26623	8820-27760	8827-27000	8820-26625	8130-26624	8820-27770	8820-27771	8130-26590	CAM12X30
9827-27010	265mm	3 jaw 60°	A2-8	8820-26623	8820-27760	8827-27010	8820-26625	8130-26624	8820-27770	8820-27771	8130-26590	CAM12X30
9827-27020	265mm	3 jaw 90°	A2-8	8820-26610	8820-27760	8827-27010	8820-26612	8130-21611	8820-27770	8820-27771	2870-17591	CAM12X30
9827-27030	265mm	3 jaw 60°	A2-6	8820-26623	8820-27760	8827-27030	8820-26625	8130-26624	8820-27770	8820-27771	8130-26590	CAM12X30
9827-27040	265mm	3 jaw 60°	A2-8	8820-26623	8820-27760	8827-27040	8820-26625	8130-26624	8820-27770	8820-27771	8130-26590	CAM12X30
9827-27050	265mm	3 jaw 90°	170mm	8820-26610	8820-27760	8827-27052	8820-26612	8130-21611	8820-27770	8820-27771	2870-17591	CAM12X30
9827-27060	265mm	3 jaw 90°	A2-8	8820-26610	8820-27760	8827-27060	8820-26612	8130-21611	8820-27770	8820-27771	2870-17591	CAM12X30
9827-31000	305mm	3 jaw 60°	D1-11	8820-31623	8820-31760	8827-31000	8820-31625	8130-31624	8820-31770	8820-31771	8130-31590	CAM14X40
9827-31010	305mm	3 jaw 90°	A2-8	8820-31610	8820-31760	8827-31010	8820-31612	8130-31611	8820-31770	8820-31771	2870-26591	CAM16X35
9827-31020	305mm	3 jaw 90°	275mm	8820-31610	8820-31760	8827-31010	8820-31612	8130-31611	8820-31770	8820-31771	2870-26591	CAM16X35
9827-31030	305mm	3 jaw 90°	A2-8 spec?	8820-31610	8820-31760	8827-31031	8820-31612	8130-31611	8820-31770	8820-31771	2870-26591	CAM16X35
9827-31040	305mm	3 jaw 60°	D1-11	8820-31623	8820-31760	8827-31040	8820-31625	8130-31624	8820-31770	8820-31771	8130-31590	CAM14X40
9827-31050	305mm	3 jaw 90°	special	8820-31610	8820-31760	8827-31051	8820-31612	8130-31611	8820-31770	8820-31771	2870-26591	CAM16X35
9827-31060	305mm	3 jaw 90°	A2-8	8820-31610	8820-31760	8827-31060	8820-31612	8130-31611	8820-31770	8820-31771	2870-26591	CAM16X35
9827-31070	305mm	3 jaw 90°	BS 10"	8820-31610	8827-31070	8820-31777	8820-31612	8130-31611	8827-31071	8820-31771	8827-31074	-
9827-31080	305mm	3 jaw 90°	special	8820-31610	8827-31070	8827-31080	8820-31612	8130-31611	8827-31071	8820-31771	2870-26591	CAM16X35
9827-31090	305mm	3 jaw 90°	none	8820-31610	8827-31070	deleted	8820-31612	8130-31611	8827-31071	8820-31771	2870-26591	CAM16X35
9827-31100	305mm	3 jaw 60°	A2-8	8827-31100	8820-31760	8827-31040	8820-31625	8130-31624	8820-31770	8820-31771	8130-31590	CAM14X40
9827-31110	305mm	3 jaw 90°	D1-11	8820-31610	8827-31070	8827-31040	8820-31612	8130-31611	8820-31770	8820-31771	2870-26591	CAM16X35
9827-31120	305mm	3 jaw 90°	D1-11	8820-31610	8827-31070	8827-31040	8820-31612	8130-31611	8820-31770	8820-31771	2870-26591	CAM16X35
9827-31130	305mm	3 jaw 90°		8827-31131	8827-31130		8820-31612	8130-31611	8820-31770	8820-31771	2870-26591	CAM16X35



Chuck no.	Size	Type	Mount	Base Jaws (set)	Sleeve	Drawtube Connector	Soft Top Jaws (3)	Hard Top Jaws (3)	Pilot Bush	Cover Plate	Tee Nut 6 per chuck	Tee Nut Screw
9827-31140	305mm	X-Tenon	A2-8	8820-31607	8820-31760	8820-31777	-	-	8827-31140	8820-31771	-	-
9827-31150	305mm	3 jaw 60°	A2-8	8820-31623	8820-31760	8827-31150	8820-31625	8130-31624	8820-31770	8820-31771	8130-31590	CAM14X40
9827-31160	305mm	3 jaw 90°	A2-6	8820-31610	8827-31070	8827-31160	8820-31612	8130-31611	8820-31770	8820-31771	2870-26591	CAM16X35
9827-31170	305mm	3 jaw 90°	A2-8	8820-31610	8820-31760	8827-31150	8820-31612	8130-31611	8820-31770	8820-31771	2870-26591	CAM16X35
9827-31180	305mm	3 jaw 60°	A2-11	8820-31623	8820-31760	8827-31180	8820-31625	8130-31624	8820-31770	8820-31771	8130-31590	CAM14X40
9827-31190	305mm	3 jaw 90°	A2-8	8820-31610	8820-31760	8827-31190	8820-31612	8130-31611	8820-31770	8820-31771	2870-26591	CAM16X35
9827-31200	305mm	3 jaw 90°	A2-8	8820-31610	8820-31760	8827-31200	8820-31612	8130-31611	8820-31770	8820-31771	2870-26591	CAM16X35
9827-31210	305mm	3 jaw 90°	BS 10°	8820-31610	8827-31210		8820-31612	8130-31611	8820-31770	8820-31771	2870-26591	CAM16X35
9827-31220	305mm	3 jaw 90°	A2-8	8820-31610	8820-31760	8827-31220	8820-31612	8130-31611	8820-31770	8820-31771	2870-26591	CAM16X35
9827-31230	305mm	3 jaw 60°	A2-8	8820-31623	8820-31760	8827-31150	8820-31625	8130-31624	8820-31770	8820-31771	8130-31590	CAM14X40
9827-31240	305mm	3 jaw 90°	A2-8	8820-31610	8820-31760	8827-31240	8820-31612	8130-31611	8820-31770	8820-31771	2870-26591	CAM16X35
9827-31250	305mm	3 jaw 90°	A2-8	8820-31610	8820-31760	8827-31250	8820-31612	8130-31611	8820-31770	8820-31771	2870-26591	CAM16X35
9827-31260	305mm			No details of source chuck.		8827-31260						
9827-31270	305mm	3 jaw 90°	A2-8	8820-31610	8820-31760	8827-31270	8820-31612	8130-31611	8820-31770	8820-31771	2870-26591	CAM16X35
9827-31280	305mm	3 jaw 90°	BS 7.5°	8820-31610	8820-31760	8827-31777	8820-31612	8130-31611	8820-31770	8820-31771	2870-26591	CAM16X35
9827-31300	305mm	No details.										
9827-31310	305mm	3 jaw 60°	A2-8	8820-31623	8820-31760	8827-31310	8820-31625	8130-31624	8820-31770	8820-31771	8130-31590	CAM14X40
9827-31320	305mm	3 jaw 90°	recess	8827-31131	8827-31130	8827-31080	8820-31612	8130-31611	8820-31770	8820-31771	2870-26591	CAM16X35
9827-31330	305mm	3 jaw 60°	D1-8	8820-31623	8820-31760	8827-31190	8820-31625	8130-31624	8820-31770	8820-31771	8130-31590	CAM14X40
9827-31340	305mm	3 jaw 60°	D1-8	8820-31623	8820-31760	8827-31340	8820-31625	8130-31624	8820-31770	8820-31771	8130-31590	CAM14X40
9827-31350	305mm	3 jaw 60°	D1-11	8820-31623	8820-31760	8827-31350	8820-31625	8130-31624	8820-31770	8820-31771	8130-31590	CAM14X40
9827-31360	305mm	No details of source chuck.										
9827-31370	305mm	3 jaw 90°	A2-8	8820-31610	8820-31760	8827-31370	8820-31612	8130-31611	8820-31770	8820-31771	8827-31372	CAM14X40
9827-31380	305mm	3 jaw 90°	recess	8820-31610	8820-31760	8827-31380	8820-31612	8130-31611	8820-31770	8820-31771	2870-26591	CAM16X35
9827-31390		3 jaw 90°	recess	8820-31610	8820-31760	8827-31390	8820-31612	8130-31611	8820-31770	8820-31771	2870-26591	CAM16X35
9827-38000	380mm	3 jaw 90°	A2-11	8820-38610	8820-40760	8820-40778	8820-38612	8130-40611	8820-40770	8820-40771	2870-40591	CAM20X35
9827-38005	380mm	No details of source chuck.				8827-38005						
9827-38010	380mm	3 jaw 90°	A2-8	8827-38010	8820-40760	8827-38011	8820-38612	8130-40611	8820-40770	8820-40771	2870-40591	CAM20X35
9827-38015	380mm	3 jaw 60°	A2-11	8827-38015	8820-40760	8827-38018	8820-38625	8130-40624	8820-40770	8820-40771	8827-38016	
9827-38020	380mm	3 jaw 90°	A2-11	8820-38610	8820-40760	8827-38020	8820-38612	8130-40611	8820-40770	8820-40771	2870-40591	CAM20X35
9827-38030	380mm	3 jaw 60°	A2-8	8827-38030	8820-40760	8827-38032	8820-38625	8130-40624	8820-40770	8820-40771	8827-38031	
9827-38040	380mm	3 jaw 90°	A2-8	8820-38610	8820-40760	8827-38040	8820-38612	8130-40611	8820-40770	8820-40771	2870-40591	CAM20X35
9827-38050	380mm	3 jaw 90°	D1-11	8820-38610	8820-40760	8827-38050	8820-38612	8130-40611	8820-40770	8820-40771	2870-40591	CAM20X35
9827-38060	380mm	3 jaw 60°	D1-11	8820-40623	8820-40760	8827-38060	8820-38625	8130-40624	8820-40770	8820-40771	8130-40590	CAM20X50
9827-38070	380mm	3 jaw 60°	D1-11	8820-40623	8820-40760	8827-38060	8820-38625	8130-40624	8820-40770	8820-40771	8130-40590	CAM20X50
9827-38080	380mm	3 jaw 90°	A2-11	8820-38610	8820-40760	8827-38080	8820-38612	8130-40611	8820-40770	8820-40771	2870-40591	CAM20X35
9827-38090	380mm	3 jaw 60°	A2-8	8820-40623	8820-40760	8827-38090	8820-38625	8130-40624	8820-40770	8820-40771	8130-40590	CAM20X50
9827-38100	380mm	3 jaw 90°	A2-8	8820-38610	8820-40760	8827-38100	8820-38612	8130-40611	8820-40770	8820-40771	2870-40591	CAM20X35
9827-40000	400mm	3 jaw 90°	D1-11	8820-38610	8820-40760	8827-38005	8820-38612	8130-40611	8820-40770	8820-40771	2870-40591	CAM20X35
9827-46000	460mm	3 jaw 90°	A2-11	8820-46610	8820-53760	8827-46000	8820-38612	8130-40611	8820-53770	8820-53771	8820-46511	
9827-46010	460mm	3 jaw 90°	A2-11	8820-46610	8820-53760	8827-46010	8820-38612	8130-40611	8820-53770	8820-53771	8820-46511	
9827-46020	460mm	3 jaw 60°	A2-11	8820-46623	8820-53760	8827-46022	8820-38625	8130-40624	8827-46021	8820-53771	8820-46524	
9827-53000	530mm	3 jaw 60°	A2-11	8820-53610	8820-53760	8827-53001	8820-38612	8130-40611	8820-53770	8820-53771	8827-53002	
9829-17000	170mm	3 jaw Int. 90° Tornado	A2-5	8820-18610	8829-17001	8829-17004	8820-17612	8130-17611	8829-17003	8829-17005	8820-17591	CAM8x20
9829-17010	170mm	3 jaw Int. 60° Tornado	A2-5	8820-18623	8829-17001	8829-17004	8820-17625	8130-17624	8829-17003	8829-17005	8130-17590	CAM10x25
9830-01710	165mm	2 jaw Int. 90°	Recess	8830-17610	8830-17760	8830-17777	8820-17612	Not	8830-17770	8830-17771	8820-17591	CAM8X20
9830-02110	200mm	2 jaw Int. 90°	Recess	8830-21610	8830-21760	8830-21777	8820-21612	available	8830-21770	8830-21771	8820-17591	CAM12X30
9830-02610	250mm	2 jaw Int. 90°	Recess	8830-26610	8830-26760	8830-26777	8820-21612	" "	8830-26770	8830-26771	2870-17591	CAM12X30



Chuck no.	Size	Type	Mount	Base Jaws (set)	Sleeve	Drawtube Connector	Soft Top Jaws (3)	Hard Top Jaws (3)	Pilot Bush	Cover Plate	Tee Nut 6 per chuck	Tee Nut Screw
9830-03110	315mm	jaw Int. 9C	Recess	8830-31610	8830-31760	8830-31777	8820-26612	" "	8830-31770	8830-31771	2870-26591	CAM16X35
9830-03810	380mm	jaw Int. 9C	Recess	8830-38610	8830-40760	8830-40777	8820-38612	" "	8830-40770	8830-40771	2870-40591	CAM20X35
9831-21710	165mm	jaw Int. 9C	A2-4	8830-17610	8830-17760	8830-17777	8820-17612	" "	8830-17770	8830-17771	8820-17591	CAM8X20
9831-21723	165mm	jaw Int. 6C	A2-4	8830-17623	8830-17760	8830-17777	8820-17625	" "	8830-17770	8830-17771	8130-17590	CAM10X25
9831-31710	165mm	jaw Int. 9C	A2-5	8830-17610	8830-17760	8830-17777	8820-17612	" "	8830-17770	8830-17771	8820-17591	CAM8X20
9831-31723	165mm	2 jaw 60°	A2-5	8830-17623	8830-17760	8830-17777	8820-17625	Not	8830-17770	8830-17771	8130-17590	CAM10X25
9831-32110	210mm	2 jaw 90°	A2-5	8830-21610	8830-21760	8830-21777	8820-21612	available	8830-21770	8830-21771	2870-17591	CAM12X30
9831-32123	210mm	2 jaw 60°	A2-5	8830-21623	8830-21760	8830-21777	8820-21625	" "	8830-21770	8830-21771	8130-21590	CAM12X30
9831-42107	210mm	2 jaw 60°	A2-6	8820-21607	8830-21760	8830-21777	2160-21509	" "	8830-21770	8830-21771	-	-
9831-42110	210mm	2 jaw 90°	A2-6	8830-21610	8830-21760	8830-21777	8820-21612	" "	8830-21770	8830-21771	2870-17591	CAM12X30
9831-42123	210mm	2 jaw 60°	A2-6	8830-21623	8830-21760	8830-21777	8820-21625	" "	8830-21770	8830-21771	8130-21590	CAM12X30
9831-42223	210mm	2 jaw 60°	A2-6	8820-22623	8830-22760	8830-22777	8820-21625	" "	8830-22770	-	8130-21590	CAM12X30
9831-42610	254mm	2 jaw 90°	A2-6	8830-26610	8830-26760	8830-26777	8820-26612	" "	8830-26770	8830-26771	2870-17591	CAM12X30
9831-42623	254mm	2 jaw 60°	A2-6	8830-26623	8830-26760	8830-26777	8820-26625	" "	8830-26770	8830-26771	8130-26590	CAM12X30
9831-52107	210mm	2 jaw 60°	A2-8	8820-21607	8830-21760	8830-21777		" "	8830-21770	8830-21771	-	-
9831-52610	254mm	2 jaw 90°	A2-8	8830-26610	8830-26760	8830-26777	8820-26612	" "	8830-26770	8830-26771	2870-17591	CAM12X30
9831-52623	254mm	2 jaw 60°	A2-8	8830-26623	8830-26760	8830-26777	8820-26625	" "	8830-26770	8830-26771	8130-26590	CAM12X30
9831-53110	305mm	2 jaw 90°	A2-8	8830-31610	8830-31760	8830-31777	8820-31612	" "	8830-31770	8830-31771	2870-26591	CAM16X35
9831-53123	305mm	2 jaw 60°	A2-8	8830-31623	8830-31760	8830-31777	8820-31625	" "	8830-31770	8830-31771	8130-31590	CAM14X40
9831-53810	380mm	2 jaw 90°	A2-8	8830-38610	8830-40760	8830-40777	8820-38612	" "	8830-40770	8830-40771	2870-40591	CAM20X35
9831-53823	380mm	2 jaw 60°	A2-8	8830-40623	8830-40760	8830-40777	8820-38625	" "	8830-40770	8830-40771	8130-40590	CAM20X50
9831-63110	305mm	2 jaw 90°	A2-11	8830-31610	8830-31760	8830-31777	8820-31612	Not	8830-31770	8830-31771	2870-26591	CAM16X35
9831-63123	305mm	2 jaw 60°	A2-11	8830-31623	8830-31760	8830-31777	8820-31625	available	8830-31770	8830-31771	8130-31590	CAM14X40
9831-63810	380mm	2 jaw 90°	A2-11	8830-38610	8830-40760	8830-40777	8820-38612	" "	8830-40770	8830-40771	2870-40591	CAM20X35
9831-63823	380mm	2 jaw 60°	A2-11	8830-40623	8830-40760	8830-40777	8820-38625	" "	8830-40770	8830-40771	8130-40590	CAM20X50
9837-17000	165mm	2 jaw 90°	A2-5	8830-17610	8830-17760	8837-17000	8820-17512	" "	8830-17770	8830-17771	8820-17591	CAM8X20
9837-17010	165mm	2 jaw 90°	A2-5	8830-17610	8830-17760	8837-17010	8820-17512	" "	8830-17770	8830-17771	8820-17591	CAM8X20
9837-17020	165mm	2 jaw 60°	A2-5	8830-17623	8830-17760	8837-17020	8820-17625	" "	8830-17770	8830-17771	8130-17590	CAM10X25
9837-17030	165mm	2 jaw 90°	A2-6	8830-17610	8830-17760	8837-17020	8820-17512	" "	8830-17770	8830-17771	8820-17591	CAM8X20
9837-17040	165mm	2 jaw 60°	A2-5	8830-17623	8830-17760	8837-17131	8820-17625	" "	8830-17770	8830-17771	8130-17590	CAM10X25
9837-21000	210mm	2 jaw 90°	A2-6	8830-21610	8830-21760	8837-21000	8820-21612	" "	8830-21770	8830-21771	2870-17591	CAM12X30
9837-21010	210mm	2 jaw XT	A2-6	8820-21607	8830-21760	8837-21010	-	" "	8830-21770	8830-21771	-	-
9837-21020	210mm	2 jaw 90°	A2-6	8830-21610	8830-21760	8837-21020	8820-21612	" "	8830-21770	8830-21771	2870-17591	CAM12X30
9837-21030	210mm	2 jaw XT	A2-6	8820-21607	8830-21760	8837-21030	-	" "	8830-21770	8830-21771	-	-
9837-21040	210mm	2 jaw XT	A2-6	8820-21607	8830-21760	8837-21040	-	" "	8837-21042 (+ plug)		-	-
9837-21050	210mm	2 jaw 60°	A2-6	8830-21623	8830-21760	8827-21050	8820-21625	" "	8830-21770	8830-21771	8130-21590	CAM12X30
9837-21120	210mm	No details.										
9837-21130	210mm	2 jaw 60°	140mm rec.	8830-21623	8830-21760	8837-21130	8820-21625	" "	8830-21770	8830-21771	8130-21590	CAM12X30
9837-22000	210mm	2 jaw 60°	A2-6	8820-22623	8830-22760	8837-22000	8820-21625	" "	8830-22770	-	8130-21590	CAM12X30
9837-26000	254mm	2 jaw XT	BS 7.5"	8820-26607	8830-26760	8837-26000	-	" "	8830-26770	8830-26771	-	-
9837-26010	254mm	2 jaw 90°	A2-6	8830-26610	8830-26760	8837-26010	8820-26612	" "	8837-26011	8830-26771	8827-26122	
9837-26020	254mm	2 jaw 60°	A2-6	8830-26623	8830-26760	8837-26020	8820-26625	" "	8830-26770	8830-26771	8130-26590	CAM12X30
9837-26030	254mm	2 jaw 60°	A2-8	8830-26623	8830-26760	8837-26030	8820-26625	" "	8830-26770	8830-26771	8130-26590	CAM12X30
9837-30000	305mm	2 jaw 60°	A2-8	8830-31623	8830-31760	8837-30000	8820-31625	" "	8830-31770	8830-31771	8130-31590	CAM14X40
9837-38000	380mm	2 jaw Int.	A2-11	8837-38001	8830-40760	8830-40777	-	" "	8830-40770	8830-40771	2160-40591	CAM16X35
9837-38010	380mm	Details unclear but assume D1-11 adaptor on 9821-53823 (3 jaw).										
9851-	3 jaw Pneumatic HSQC											
9861-	2 jaw Pneumatic HSQC											



Chuck no.	Size	Type	Mount	Hard Top Jaws (3)	Soft Top Jaw (ea)	Base Jaws (set 3)	Tee Nut	Sleeve	Actuator	Lever Assembly	Tee Nut Screw	Collet Pad Lock screw	
1770-11707	160mm	3 jaw (X Tenon)	Recess		2770-17509	2770-17607	2770-17591	2770-16760	2770-17789	2770-17792	CAM10X20	-	
1770-11710	160mm	3 jaw (90° serr.)	Recess	2770-17611	2770-17512	2770-17610	2770-17591	2770-16760	2770-17789	2770-17792	CAM10X20	7779-17018	
1770-12107	200mm	3 jaw (X Tenon)	Recess		2770-21509	2770-21607	2770-26591	2770-20760	2770-21789	2770-21972	CAM12X25	-	
1770-12110	200mm	3 jaw (90° serr.)	Recess	2770-26611	2770-21512	2770-21610	2770-26591	2770-20760	2770-21789	2770-21972	CAM12X25	7779-17018	
1770-12607	250mm	3 jaw (X Tenon)	Recess		2770-26509	2770-26607	2770-26591	2770-25760	2770-26789	2770-26792	CAM12X25	-	
1770-12610	250mm	3 jaw (90° serr.)	Recess	2770-26611	2770-26512	2770-26610	2770-26591	2770-25760	2770-26789	2770-26792	CAM12X25	7779-17018	
1770-13207	315mm	3 jaw (X Tenon)	Recess		2160-32509	2770-32607	2770-32591	2770-31760	2770-32789	2770-32792	CAM16X35	-	
1770-13210	315mm	3 jaw (90° serr.)	Recess	2770-32611	2860-26512	2770-32610	2770-32591	2770-31760	2770-32789	2770-32792	CAM16X35	7779-17018	
1770-13807	380mm	3 jaw (X Tenon)	Recess		2770-38509	2770-38607	2770-40591	2779-00004	2779-00005	2770-38792	CAM16X35	-	
1770-13810	380mm	3 jaw (90° serr.)	Recess	2770-40611	2770-40512	2770-38610	2770-40591	2779-00004	2779-00005	2770-38792	CAM16X35	7779-32018	
1771-31710	160mm	3 jaw (90° serr.)	A2-5	2770-17611	2770-17512	2770-17610	2770-17591	2770-16760	2770-17789	2770-17792	CAM10X20	7779-17018	
1771-41710	160mm	3 jaw (90° serr.)	A2-6	2770-17611	2770-17512	2770-17610	2770-17591	2770-16760	2770-17789	2770-17792	CAM10X20	7779-17018	
1771-42110	200mm	3 jaw (90° serr.)	A2-6	2770-26611	2770-21512	2770-21610	2770-26591	2770-20760	2770-21789	2770-21972	CAM12X25	7779-17018	
1771-52110	200mm	3 jaw (90° serr.)	A2-8	2770-26611	2770-21512	2770-21610	2770-26591	2770-20760	2770-21789	2770-21972	CAM12X25	7779-17018	
1771-52610	250mm	3 jaw (90° serr.)	A2-8	2770-26611	2770-26512	2770-26610	2770-26591	2770-25760	2770-26789	2770-26792	CAM12X25	7779-17018	
1771-53210	315mm	3 jaw (90° serr.)	A2-8	2770-32611	2860-26512	2770-32610	2770-32591	2770-31760	2770-32789	2770-32792	CAM16X35	7779-32018	
1771-53810	380mm	3 jaw (90° serr.)	A2-8	2770-40611	2770-40512	2770-38610	2770-40591	2770-38760	2779-00005	2770-38792	CAM16X35	7779-32018	
1771-63210	315mm	3 jaw (90° serr.)	A2-11	2770-32611	2860-26512	2770-32610	2770-32591	2770-31760	2770-32789	2770-32792	CAM16X35	7779-32018	
1771-63810	380mm	3 jaw (90° serr.)	A2-11	2770-40611	2770-40512	2770-38610	2770-40591	2770-38760	2779-00005	2770-38792	CAM16X35	7779-32018	
1771-73810	380mm	3 jaw (90° serr.)	A2-	2770-40611	2770-40512	2770-38610	2770-40591	2779-00004	2779-00005	2770-38792	CAM16X35	7779-32018	
1772-51710	160mm	3 jaw (90° serr.)	D1-6	2770-17611	2770-17512	2770-17610	2770-17591	2770-16760	2770-17789	2770-17792	CAM10X20	7779-17018	
1772-52110	200mm	3 jaw (90° serr.)	D1-6	2770-26611	2770-21512	2770-21610	2770-26591	2770-20760	2770-21789	2770-21972	CAM12X25	7779-17018	
1772-52610	250mm	3 jaw (90° serr.)	D1-6	2770-26611	2770-26512	2770-26610	2770-26591	2770-25760	2770-26789	2770-26792	CAM12X25	7779-17018	
1772-62110	200mm	3 jaw (90° serr.)	D1-8	2770-26611	2770-21512	2770-21610	2770-26591	2770-20760	2770-21789	2770-21972	CAM12X25	7779-17018	
1772-62610	250mm	3 jaw (90° serr.)	D1-8	2770-26611	2770-26512	2770-26610	2770-26591	2770-25760	2770-26789	2770-26792	CAM12X25	7779-17018	
1772-63210	315mm	3 jaw (90° serr.)	D1-8	2770-32611	2860-26512	2770-32610	2770-32591	2770-31760	2770-32789	2770-32792	CAM16X35	7779-32018	
1772-73210	315mm	3 jaw (90° serr.)	D1-11	2770-32611	2860-26512	2770-32610	2770-32591	2770-31760	2770-32789	2770-32792	CAM16X35	7779-32018	
1772-73810	380mm	3 jaw (90° serr.)	D1-11	2770-40611	2770-40512	2770-38610	2770-40591	2779-00004	2779-00005	2770-38792	CAM16X35	7779-32018	
1775-41710	160mm	3 jaw (90° serr.)	A2-6	2770-17611	2770-17512	2770-17610	2770-17591	2770-16760	2770-17789	2770-17792	CAM10X20	7779-17018	
1775-42610	250mm	3 jaw (90° serr.)	A2-6	2770-26611	2770-26512	2770-26610	2770-26591	2770-25760	2770-26789	2770-26792	CAM12X25	7779-17018	
1775-53210	315mm	3 jaw (90° serr.)	A2-8	2770-32611	2860-26512	2770-32610	2770-32591	2770-31760	2770-32789	2770-32792	CAM16X35	7779-32018	
1775-63210	315mm	3 jaw (90° serr.)	A2-11	2770-32611	2860-26512	2770-32610	2770-32591	2770-31760	2770-32789	2770-32792	CAM16X35	7779-32018	
1775-63810	380mm	3 jaw (90° serr.)	A2-11	2770-40611	2770-40512	2770-38610	2770-40591	2779-00004	2779-00005	2770-38792	CAM16X35	7779-32018	
1777-17020	160mm	Spares as 1771-31710 (A2-6 mount) except various mods. to body.											
1777-17025	160mm	3 jaw (90° serr.)	A2-3	2770-17611	2770-17512	2770-17610	2770-17591	2770-16760	2770-17789	2770-17792	CAM10X20	7779-17018	
1777-17030	160mm	3 jaw (90° serr.)	A2-6	2770-17611	2770-17512	2770-17610	2770-17591	2770-16760	2770-17789	2770-17792	CAM10X20	7779-17018	
1777-21000	200mm	3 jaw (90° serr.)		2770-26611	2770-21512	2770-21610	2770-26591	2777-21000	2770-21789	2770-21972	CAM12X25	7779-17018	
1777-21005	200mm	3 jaw (90° serr.)		2770-26611	2770-21512	2770-21610	2770-26591	2777-21005	2770-21789	2770-21972	CAM12X25	7779-17018	
1777-21010	200mm	3 jaw (90° serr.)		2770-26611	2770-21512	2770-21610	2770-26591	2777-21010	2770-21789	2770-21972	CAM12X25	7779-17018	
1777-21015	200mm	3 jaw (90° serr.)	A2-6	2770-26611	2770-21512	2770-21610	2770-26591	2777-21015	2770-21789	2770-21972		7779-17018	
1777-21020	200mm	Spares as 1771-42110 (special thick adaptor) except:							2777-21020				
1777-21025	200mm	3 jaw (90° serr.)		2770-26611	2770-21512	2770-21610	2770-26591	2777-21015	2770-21789	2770-21972	CAM12X25	7779-17018	
1777-21030	200mm	Spares as 1771-42110 except 60° jaws.				2777-21030	2777-21031						
1777-21040	200mm	Spares as 1771-32110 (A2-5 mount) except:						2850-17591	2777-21040	(sleeve extension)			
1777-21050	200mm	Spares as 1771-42110 except:					2770-21607	-	2777-21015				
1777-21060	200mm	Spares as 1771-42110 (A2-5 mount) except:					2770-21607	-					
1777-26000	250mm	Spares as 1771-42610 except tapped holes in face.											
1777-26010	250mm	Spares as 1771-52610 except bore 95mm.											



Chuck no.	Size	Type	Mount	Hard Top Jaws (3)	Soft Top Jaw (ea)	Base Jaws (set 3)	Tee Nut	Sleeve	Actuator	Lever Assembly	Tee Nut Screw	Collet Pad Lock screw	
1777-26020	250mm	Special adaptor only		2770-26611	2770-26512	2770-26610	2770-26591	2770-25760	2770-26789	2770-26792	CAM12X25	7779-17018	
1777-26025	250mm	3 jaw (90° serr.)		2770-26611	2770-26512	2770-26610	2770-26591	2770-25760	2770-26789	2770-26792	CAM12X25	7779-17018	
1777-26030	250mm	3 jaw (90° serr.)		2770-26611	2770-26512	2770-26610	2770-26591	2770-25760	2770-26789	2770-26792	CAM12X25	7779-17018	
1777-26035	250mm	3 jaw (90° serr.)		2770-26611	2770-26512	2770-26610	2770-26591	2770-25760	2770-26789	2770-26792	CAM12X25	7779-17018	
1777-26040	250mm	3 jaw (90° serr.)		2770-26611	2770-26512	2770-26610	2770-26591	2770-25760	2770-26789	2770-26792	CAM12X25	7779-17018	
1777-26050	250mm	3 jaw (90° serr.)		2770-26611	2770-26512	2770-26610	2770-26591	2770-25760	2770-26789	2770-26792	CAM12X25	7779-17018	
1777-26060	250mm	3 jaw (90° serr.)		2770-26611	2770-26512	2770-26610	2770-26591	2770-25760	2770-26789	2770-26792	CAM12X25	7779-17018	
1777-26070	250mm	3 jaw (90° serr.)		2770-26611	2770-26512	2770-26610	2770-26591	2770-25760	2770-26789	2770-26792	CAM12X25	7779-17018	
1777-26080	250mm	3 jaw (90° serr.)		2770-26611	2770-26512	2770-26610	2770-26591	2770-25760	2770-26789	2770-26792	CAM12X25	7779-17018	
1777-26090	250mm	Spares as 1777-26035 (A2-6 mount), Acme jaws etc.				2777-26090							
1777-32000	315mm	Spares as 1771-53210 except:							2777-32000				
1777-32010	315mm	3 jaw (90° serr.)		2770-26611	2770-26512	2770-26610	2770-26591	2770-25760	2770-26789	2770-26792	CAM12X25	7779-17018	
1777-32020	315mm	3 jaw (90° serr.)		2770-26611	2770-26512	2770-26610	2770-26591	2770-25760	2770-26789	2770-26792	CAM12X25	7779-17018	
1777-32030	315mm	3 jaw (90° serr.)		2770-26611	2770-26512	2770-26610	2770-26591	2770-25760	2770-26789	2770-26792	CAM12X25	7779-17018	
1777-32040	315mm	3 jaw (90° serr.)		2770-26611	2770-26512	2770-26610	2770-26591	2770-25760	2770-26789	2770-26792	CAM12X25	7779-17018	
1777-32050	315mm	3 jaw (90° serr.)		2770-26611	2770-26512	2770-26610	2770-26591	2770-25760	2770-26789	2770-26792	CAM12X25	7779-17018	
1777-32055	315mm	3 jaw (90° serr.)		2770-26611	2770-26512	2770-26610	2770-26591	2770-25760	2770-26789	2770-26792	CAM12X25	7779-17018	
1777-32060	315mm	3 jaw (90° serr.)		2770-26611	2770-26512	2770-26610	2770-26591	2770-25760	2770-26789	2770-26792	CAM12X25	7779-17018	
1777-32065	315mm	3 jaw (90° serr.)		2770-26611	2770-26512	2770-26610	2770-26591	2770-25760	2770-26789	2770-26792	CAM12X25	7779-17018	
1777-38000	380mm	Spares as 1771-63810 except:							2779-00004				
1777-38010	380mm	Spares as 1771-53810 (A2-8 mount) except:							2779-00004				
1777-38020	380mm	Spares as 1774-53810 (DIN 8).											
1777-38030	380mm	Spares as 1770-13810 (A2-11 backplate).											
1777-38040	380mm	3 jaw (90° serr.)		2770-40611	2770-40512	2770-38610	2770-40591	2779-00004	2779-00005	2770-38792	CAM16X35	7779-32018	
1777-38050	380mm	3 jaw (90° serr.)		2770-40611	2770-40512	2770-38610	2770-40591	2779-00004	2779-00005	2770-38792	CAM16X35	7779-32018	
1777-38060	380mm	3 jaw (90° serr.)		2770-40611	2770-40512	2770-38610	2770-40591	2779-00004	2779-00005	2770-38792	CAM16X35	7779-32018	
1777-38070	380mm	3 jaw (90° serr.)		2770-40611	2770-40512	2770-38610	2770-40591	2777-38070	(sleeve bush)	2770-38792	CAM16X35	7779-32018	
1777-38080	380mm	Spares as 1771-63810 except cross-tenon jaws.											
1777-38090	380mm	No details.											
1777-38100	380mm	Spares as 1771-63810 (A2-8 backplate) except:							2777-38100	(sleeve reducer)			
1777-38105	380mm	Spares as 1771-63810 (A2-8 backplate) except:					2770-38607		2777-38100	(sleeve reducer)			
1777-38110	380mm	Spares as 1771-63810 (A2-8 backplate) except:							2777-38110	(sleeve reducer)			
1777-42000	415mm	As 1779-00000 (A2-8 adaptor) except:							2777-42010	(sleeve reducer)			
1777-50000	500mm	Spares as 1774-65010.											
1777-50010	500mm	Spares as 1179-00600 ?											
1779-00000	415mm	3 jaw (90° serr.)	A1-11	2770-40611	2770-40512	2779-00015	2770-40591	2779-00004	2779-00005	2779-38792			
1779-00100	305mm	3 jaw			2779-00103	2779-00102							
1779-01000	315mm	3 jaw (90° serr.)	WST	2770-32611	2860-26512	2770-32610							
1779-00200	250mm	3 jaw (90° serr.)		2770-26611	2770-26512	2770-26610	2770-26591	2770-26760	2770-26789				



Chuck no/ Model no.	Size	Type	Mount	Base Jaws	Hard Top Jaws	Soft Top Jaws	Tee Nut	Tee Nut Screw	Sleeve	Actuator	Lever	Lever Pin	Body Bushing
1850-11707	160mm	X-Tenon	Recess	2850-17607	-	2770-17509	-	-	2770-16760	2850-17789	2850-17750	2850-17787	2850-17795
1850-11710	160mm	3 jaw 90°	Recess	2850-17610	8130-21611	8820-21612	2850-17591	CAM12X25	2770-16760	2850-17789	2850-17750	2850-17787	2850-17795
1850-12107	200mm	X-Tenon	Recess	2850-21607	-	2770-26509	-	-	2770-20760	2850-21789	2850-21750	2850-21787	2850-21795
1850-12110	200mm	3 jaw 90°	Recess	2850-21610	8130-21611	8820-21612	2870-17591	CAM12X25	2770-20760	2850-21789	2850-21750	2850-21787	2850-21795
1850-12607	250mm	X-Tenon	Recess	2850-26607	-	2770-26509	-	-	2770-25760	2850-26789	2850-26750	2850-26787	2850-26795
1850-12610	250mm	3 jaw 90°	Recess	2850-26610	8130-21611	8820-21612	2870-17591	CAM12X30	2770-25760	2850-26789	2850-26750	2850-26787	2850-26795
1850-13107	315mm	X-Tenon	Recess	2850-31607	-	2160-32509	-	-	2770-31760	2850-31789	2850-31750	2850-26787	2850-31795
1850-13110	315mm	3 jaw 90°	Recess	2850-31610	8130-31611	8820-31612	2870-26591	CAM16X35	2770-31760	2850-31789	2850-31750	2850-26787	2850-31795
1850-14007	400mm	X-Tenon	Recess	2850-10607	-	2770-38509	-	-	2770-38760	2850-40789	2850-40750	2850-26787	2850-40795
1850-14010	400mm	3 jaw 90°	Recess	2850-40610	8130-31611	8820-31612	2870-26591	CAM16X35	2770-38760	2850-40789	2850-40750	2850-26787	2850-40795
1850-	500mm	3 jaw 90°	Recess	2850-51610	8130-40611	8820-38612	2870-40591	CAM20X35	2770-38760	2850-51789	2850-51750	2850-26787	2850-51795
1851-31710	160mm	3 jaw 90°	A2-5	2850-17610	8130-21611	8820-21612	2850-17591	CAM12X25	2770-16760	2850-17789	2850-17750	2850-17787	2850-17795
1851-42110	200mm	3 jaw 90°	A2-6	2850-21610	8130-21611	8820-21612	2870-17591	CAM12X25	2770-20760	2850-21789	2850-21750	2850-21787	2850-21795
1851-42610	250mm	3 jaw 90°	A2-6	2850-26610	8130-21611	8820-21612	2870-17591	CAM12X30	2770-25760	2850-26789	2850-26750	2850-26787	2850-26795
1851-52610	250mm	3 jaw 90°	A2-8	2850-26610	8130-21611	8820-21612	2870-17591	CAM12X30	2770-25760	2850-26789	2850-26750	2850-26787	2850-26795
1851-53110	315mm	3 jaw 90°	A2-8	2850-31610	8130-31611	8820-31612	2870-26591	CAM16X35	2770-31760	2850-31789	2850-31750	2850-26787	2850-31795
1851-63110	315mm	3 jaw 90°	A2-11	2850-31610	8130-31611	8820-31612	2870-26591	CAM16X35	2770-31760	2850-31789	2850-31750	2850-26787	2850-31795
1851-54010	315mm	3 jaw 90°	A2-8	2850-40610	8130-31611	8820-31612	2870-26591	CAM16X35	2770-38760	2850-40789	2850-40750	2850-26787	2850-40795
1851-64010	400mm	3 jaw 90°	A2-11	2850-40610	8130-31611	8820-31612	2870-26591	CAM16X35	2770-38760	2850-40789	2850-40750	2850-26787	2850-40795
1854-53110	315mm	3 jaw 90°	DIN 8	2850-31610	8130-31611	8820-31612	2870-26591	CAM16X35	2770-31760	2850-31789	2850-31750	2850-26787	2850-31795
1857-17000	160mm	3 jaw 90°	Recess	2850-17610	8130-21611	8820-21612	2850-17591	CAM12X25	2857-17000	2850-17789	2850-17750	2850-17787	2850-17795
1857-17010	160mm	3 jaw 90°	A2-5	2850-17610	8130-21611	8820-21612	2850-17591	CAM12X25	2770-16760	2850-17789	2850-17750	2850-17787	2850-17795
1857-17020	160mm	Spares as 1859-00140.											
1857-21000	200mm	3 jaw 90°	A2-6	2850-21610	8130-21611	8820-21612	2870-17591	CAM12X25	2777-21015	2850-21789	2850-21750	2850-21787	2850-21795
1857-21010	200mm	3 jaw 90°	Recess	2850-21610	8130-21611	8820-21612	2870-17591	CAM12X25	2770-20760	2850-21789	2850-21750	2850-21787	2850-21795
1857-21020	200mm	3 jaw 90°	Recess	2850-21610	8130-21611	8820-21612	2870-17591	CAM12X25	2770-20760	2850-21789	2850-21750	2850-21787	2850-21795
1857-21030	200mm	3 jaw 90°	A2-6	2850-21610	8130-21611	8820-21612	2870-17591	CAM12X25	2770-20760	2850-21789	2850-21750	2850-21787	2850-21795
1857-21040	200mm	3 jaw 90°	A2-6	2850-21610	8130-21611	8820-21612	2870-17591	CAM12X25	2777-21015	2850-21789	2850-21750	2850-21787	2850-21795
1857-21050	200mm	3 jaw 90°	A2-6	2850-21610	8130-21611	8820-21612	2870-17591	CAM12X25	2770-20760	2850-21789	2850-21750	2850-21787	2850-21795
1857-21060	200mm	3 jaw 90°	A2-6	2850-21610	8130-21611	8820-21612	2870-17591	CAM12X25	2777-21015	2850-21789	2850-21750	2850-21787	2850-21795
1857-21070	200mm	3 jaw 90°	A2-6	2850-21610	8130-21611	8820-21612	2870-17591	CAM12X25	2770-20760	2850-21789	2850-21750	2850-21787	2850-21795
1857-21080	200mm	2 jaw 90°	Spares as 1859-00180 except:				2857-21080						
1857-21090	200mm	3 jaw 90°	A2-6	2850-21610	8130-21611	8820-21612	2870-17591	CAM12X25	2777-21015	2850-21789	2850-21750	2850-21787	2850-21795
1857-26000	250mm	3 jaw 90°	A2-6	2850-26610	8130-21611	8820-21612	2870-17591	CAM12X30	2770-25760	2850-26789	2850-26750	2850-26787	2850-26795
1857-26005	250mm	3 jaw 90°	A2-8	2850-26610	8130-21611	8820-21612	2870-17591	CAM12X30	2770-25760	2850-26789	2850-26750	2850-26787	2850-26795
1857-26010	250mm	3 jaw 90°	A2-8	2850-26610	8130-21611	8820-21612	2870-17591	CAM12X30	2857-26010	2850-26789	2850-26750	2850-26787	2850-26795
1857-26015	250mm	3 jaw 90°	A2-8	2850-26610	8130-21611	8820-21612	2870-17591	CAM12X30	2770-25760	2857-26017	2850-26750	2850-26787	2850-26795
1857-26020	250mm	3 jaw 90°	A2-8	2850-26610	8130-21611	8820-21612	2870-17591	CAM12X30	2770-25760	2850-26789	2850-26750	2850-26787	2850-26795
1857-26025	250mm	X-Tenon	A2-8	2857-26025			2870-17591	CAM12X30	2770-25760	2850-26789	2850-26750	2850-26787	2850-26795
1857-26030	250mm	3 jaw 90°	A2-8	2850-26610	8130-21611	8820-21612	2870-17591	CAM12X30	2770-25760	2850-26789	2850-26750	2850-26787	2850-26795
1857-26040	250mm	3 jaw 90°	A2-6	2850-26610	8130-21611	8820-21612	2870-17591	CAM12X30	2770-25760	2850-26789	2850-26750	2850-26787	2850-26795
1857-26045	250mm	X-Tenon	A2-8	2850-26523			2870-17591	CAM12X30	2770-25760	2857-26017	2850-26750	2850-26787	2850-26795
1857-26050	250mm	3 jaw 60°	A2-8	7859-26025			2870-17591	CAM12X30	2770-25760	2850-26789	2850-26750	2850-26787	2850-26795
1857-26055	250mm	3 jaw 90°	A2-6	2850-26610	8130-21611	8820-21612	2870-17591	CAM12X30	2770-25760	2850-26789	2850-26750	2850-26787	2850-26795
1857-26060	250mm	3 jaw 90°	D1-8	2850-26610	8130-21611	8820-21612	2870-17591	CAM12X30	2770-25760	2850-26789	2850-26750	2850-26787	2850-26795
1857-26070	250mm	3 jaw 90°	A2-6	2850-26610	8130-21611	8820-21612	2870-17591	CAM12X30	2770-25760	2850-26789	2850-26750	2850-26787	2850-26795
1857-26080	250mm	3 jaw 90°	A2-8	2850-26610	8130-21611	8820-21612	2870-17591	CAM12X30	2770-25760	2850-26789	2850-26750	2850-26787	2850-26795
1857-26090	250mm	3 jaw 90°	A2-8	2850-26610	8130-21611	8820-21612	2870-17591	CAM12X30	2770-25760	2850-26789	2850-26750	2850-26787	2850-26795



Chuck no./ Model no.	Size	Type	Mount	Base Jaws	Hard Top Jaws	Soft Top Jaws	Tee Nut	Tee Nut Screw	Sleeve	Actuator	Lever	Lever Pin	Body Bushing		
1857-28000	280mm	3 jaw 90°	Spares as 1859-00020.												
1857-31000	315mm	3 jaw 90°	recess	2850-31610	8130-31611	8820-31612	2870-26591	CAM16X35	2770-31760	2850-31789	2850-31750	2850-26787	2850-31795		
1857-31010	315mm	3 jaw 90°	A2-8	2850-31610	8130-31611	8820-31612	2870-26591	CAM16X35	2770-31760	2850-31789	2850-31750	2850-26787	2850-31795		
1857-31020	315mm	Spares as 1859-00090.													
1857-31030	315mm	3 jaw 90°	recess	2850-31610	8130-31611	8820-31612	2870-26591	CAM16X35	2770-31760	2850-31789	2850-31750	2850-26787	2850-31795		
1857-31040	315mm	3 jaw 90°	A2-11	2850-31610	8130-31611	8820-31612	2870-26591	CAM16X35	2770-31760	2850-31789	2850-31750	2850-26787	2850-31795		
1857-31050	315mm	3 jaw 90°	A2-8	2850-31610	8130-31611	8820-31612	2870-26591	CAM16X35	2770-31760	2850-31789	2850-31750	2850-26787	2850-31795		
1857-31060	315mm	3 jaw 90°	A2-8	2850-31610	8130-31611	8820-31612	2870-26591	CAM16X35	2770-31760	2850-31789	2850-31750	2850-26787	2850-31795		
1857-31070	315mm	3 jaw 90°	DIN 8	2850-31610	8130-31611	8820-31612	2870-26591	CAM16X35	2770-31760	2850-31789	2850-31750	2850-26787	2850-31795		
1857-31080	315mm	3 jaw 90°	A2-11	2850-31610	8130-31611	8820-31612	2870-26591	CAM16X35	2770-31760	2850-31789	2850-31750	2850-26787	2850-31795		
1857-31090	315mm	X-Tenon	Spares generally as 1851-63110 except base jaws and additional parts.												
1857-31100	315mm	X-Tenon	Spares generally as 1851-63110 except base jaws and additional parts.												
1857-31105	315mm	3 jaw 90°	Spares as 1851-53110. Collet pad carriers 2850-31596.							2857-31105 (sleeve bush)					
1857-31110	315mm	3 jaw 90°	Spares as 1859-00090.												
1857-31115	315mm	3 jaw 90°	A2-8	2850-31610	8130-31611	8820-31612	2870-26591	CAM16X35	2770-31760	2850-31789	2850-31750	2850-26787	2850-31795		
1857-31120	315mm	3 jaw 90°	A2-11	2850-31610	8130-31611	8820-31612	2870-26591	CAM16X35	2770-31760	2850-31789	2850-31750	2850-26787	2850-31795		
1857-31125	315mm	X-Tenon	A2-8	2857-31125	Other spares as 1851-53110.										
1857-31130	315mm	3 jaw 90°	A2-8	2850-31610	8130-31611	8820-31612	2870-26591	CAM16X35	2770-31760	2850-31789	2850-31750	2850-26787	2850-31795		
1857-31140	315mm	3 jaw 90°	A2-8	2850-31610	8130-31611	8820-31612	2870-26591	CAM16X35	2770-31760	2850-31789	2850-31750	2850-26787	2850-31795		
1857-40000	400mm	3 jaw 90°	Spares as 1859-00000.												
1857-40010	400mm	3 jaw 90°	A2-11	2850-40610	8130-31611	8820-31612	2870-26591	CAM16X35	2770-38760	2850-40789	2850-40750	2850-26787	2850-40795		
1857-40020	400mm	3 jaw 90°	A2-8	2857-40021	2980-46611	2980-46512	2980-46590		2770-38760	2850-40789	2850-40750	2850-26787	2850-40795		
1857-40030	400mm	3 jaw 90°	A2-11	2850-40610	8130-31611	8820-31612	2870-26591	CAM16X35	2770-38760	2850-40789	2850-40750	2850-26787	2850-40795		
1857-40040	400mm	3 jaw 90°	Recess	2850-40610	8130-31611	8820-31612	2870-26591	CAM16X35	2770-38760	2850-40789	2850-40750	2850-26787	2850-40795		
1857-40045	400mm	X-Tenon	A2-11	2850-40607		2770-32609	Other spares as 1851-64010.								
1857-40050	400mm	3 jaw 90°	A2-8	2850-40610	8130-31611	8820-31612	2870-26591	CAM16X35	2770-38760	2850-40789	2850-40750	2850-26787	2850-40795		
1857-40055	400mm	3 jaw 90°	A2-11	2850-40610	8130-31611	8820-31612	2870-26591	CAM16X35	2770-38760	2850-40789	2850-40750	2850-26787	2850-40795		
1857-40070	400mm	3 jaw 90°	Spares as 1855-54010.												
1857-40075	400mm	3 jaw 90°	A2-11	2850-40610	8130-31611	8820-31612	2870-26591	CAM16X35	2770-38760	2850-40789	2850-40750	2850-26787	2850-40795		
1857-40080	400mm	3 jaw 90°	A2-11	2850-40610	8130-31611	8820-31612	2870-26591	CAM16X35	2770-38760	2850-40789	2850-40750	2850-26787	2850-40795		
1857-40090	400mm	3 jaw 90°	A2-11	2850-40610	8130-31611	8820-31612	2870-26591	CAM16X35	2770-38760	2850-40789	2850-40750	2850-26787	2850-40795		
1857-40100	400mm	3 jaw 90°	A2-11	2850-40610	8130-31611	8820-31612	2870-26591	CAM16X35	2770-38760	2850-40789	2850-40750	2850-26787	2850-40795		
1857-40110	400mm	3 jaw 90°	Recess	2850-40610	8130-31611	8820-31612	2870-26591	CAM16X35	2770-38760	2850-40789	2850-40750	2850-26787	2850-40795		
1857-40120	400mm	3 jaw 90°	A2-11	2850-40610	8130-31611	8820-31612	2870-26591	CAM16X35	2770-38760	2850-40789	2850-40750	2850-26787	2850-40795		
1857-40130	400mm	3 jaw 90°	A2-11	2850-40610	8130-31611	8820-31612	2870-26591	CAM16X35	2770-38760	2850-40789	2850-40750	2850-26787	2850-40795		
1857-40140	400mm	3 jaw 90°	A2-11	2850-40610	8130-31611	8820-31612	2870-26591	CAM16X35	2770-38760	2850-40789	2850-40750	2850-26787	2850-40795		
1857-40150	400mm	3 jaw 90°	A2-11	2850-40610	8130-31611	8820-31612	2870-26591	CAM16X35	2770-38760	2850-40789	2850-40750	2850-26787	2850-40795		



Chuck no./ Model no.	Size	Type	Mount	Hard Top Jaws	Soft Top Jaws	Base Jaws *	Tee Nut	Tee Nut Screw	Collet Pad Retainer	Sleeve (threaded)	Sleeve (blank)	Actuator	Lever
* 60° x 1.5mm or 90° x 1/16" unless otherwise noted.													
9111-31723	165mm	2 jaw 60°	A2-5	8130-17624	8820-17625	8130-17623	8130-17590	CAM10X25					
9111-42123	210mm	2 jaw 60°	A2-6	8130-21624	8820-21625	8130-21623	8130-21590	CAM12X30		2767-21010		2850-21789	2850-21750
9121-21707	165mm	X-Tenon	A2-4	-		8130-17607	-	-				2850-17789	2850-17750
9121-21710	165mm	90° serr.	A2-4	8130-17611	8820-17612	8130-17610	8820-17591	CAM8X20		8120-17760	8130-17760	2850-17789	2850-17750
9121-21723	165mm	60° serr.	A2-4	8130-17624	8820-17625	8130-17623	8130-17590	CAM10X25	8130-17592	8120-17760	8130-17760	2850-17789	2850-17750
9121-31707	165mm	X-Tenon	A2-5	-		8130-17607	-	-				2850-17789	2850-17750
9121-31710	165mm	90° serr.	A2-5	8130-17611	8820-17612	8130-17610	8820-17591	CAM8X20		8120-17760	8130-17760	2850-17789	2850-17750
9121-31723	165mm	60° serr.	A2-5	8130-17624	8820-17625	8130-17623	8130-17590	CAM10X25	8130-17592	8120-17760	8130-17760	2850-17789	2850-17750
9121-32107	210mm	X-Tenon	A2-5	-		8130-21607	-	-				2850-21789	2850-21750
9121-32110	210mm	90° serr.	A2-5	8130-21611	8820-21612	8130-21610	2870-17591	CAM12X30	2749-02406	2777-21015		2850-21789	2850-21750
9121-32123	210mm	60° serr.	A2-5	8130-21624	8820-21625	8130-21623	8130-21590	CAM12X30	8130-21592	2777-21015	8130-21760	2850-21789	2850-21750
9121-42107	210mm	X-Tenon	A2-6	-		8130-21607	-	-				2850-21789	2850-21750
9121-42110	210mm	90° serr.	A2-6	8130-21611	8820-21612	8130-21610	2870-17591	CAM12X30	2749-02406	2777-21015	8130-21760	2850-21789	2850-21750
9121-42123	210mm	60° serr.	A2-6	8130-21624	8820-21625	8130-21623	8130-21590	CAM12X30	8130-21592	2777-21015	8130-21760	2850-21789	2850-21750
9121-42210	210mm	90° K.B.	A2-6	8130-21611	8820-21612	8130-22610	2870-17591	CAM12X30	2749-02406	8120-22760		8130-22789	2850-21750
9121-42223	210mm	60° K.B.	A2-6	8130-21624	8820-21625	8130-22623	8130-21590	CAM12X30	8130-21592	8120-22760	8130-21760	8130-22789	2850-21750
9121-42607	254mm	X-Tenon	A2-8	8130-26509		8130-26607	-	-		2770-25760	8130-26760	2850-26789	2850-26750
9121-42610	254mm	90° serr.	A2-8	8130-21611	8820-26612	8130-26610	2870-17591	CAM12X30	2749-02416	2770-25760	8130-26760	2850-26789	2850-26750
9121-42623	254mm	60° serr.	A2-6	8130-26624	8820-26625	8130-26623	8130-26590	CAM12X30	8130-26592	2770-25760	8130-26760	2850-26789	2850-26750
9121-52110	210mm	90° serr.	A2-8	8130-21611	8820-21612	8130-21610	2870-17591	CAM12X30	2749-02406	2777-21015	8130-21760	2850-21789	2850-21750
9121-52123	210mm	60° serr.	A2-8	8130-21624	8820-21625	8130-21623	8130-21590	CAM12X30	8130-21592	2777-21015	8130-21760	2850-21789	2850-21750
9121-52210	210mm	90° K.B.	A2-8	8130-21611	8820-21612	8130-22610	2870-17591	CAM12X30	2749-02406	8120-22760	8130-21760	8130-22789	2850-21750
9121-52223	210mm	60° K.B.	A2-8	8130-21624	8820-21625	8130-22623	8130-21590	CAM12X30	8130-21592	8120-22760	8130-21760	8130-22789	2850-21750
9121-52607	254mm	X-Tenon	A2-11	8130-26509		8130-26607	-	-		2770-25760	8130-26760	2850-26789	2850-26750
9121-52610	254mm	90° serr.	A2-8	8130-21611	8820-26612	8130-26610	2870-17591	CAM12X30	2749-02416	2770-25760	8130-26760	2850-26789	2850-26750
9121-52623	254mm	60° serr.	A2-8	8130-26624	8820-26625	8130-26623	8130-26590	CAM12X30	8130-26592	2770-25760	8130-26760	2850-26789	2850-26750
9121-52710	254mm	90° K.B.	A2-8	8130-21611	8820-26612	8130-27610	2870-17591	CAM12X30	2749-02416			2850-26789	2850-26750
9121-52723	265mm	60° K.B.	A2-8	8130-26624	8820-26625	8130-27623	8130-26590	CAM12X30		8120-27760		2850-26789	2850-26750
9121-53107	305mm	X-Tenon	A2-8	8130-31509		8130-31607	-	-			8130-31760	2850-31789	2850-31750
9121-53110	305mm	90° serr.	A2-8	8130-31611	8820-31612	8130-31610	2870-26591	CAM16X35	2749-02436	2770-31760	8130-31760	2850-31789	2850-31750
9121-53123	305mm	60° serr.	A2-8	8130-31624	8820-31625	8130-31623	8130-31590	CAM14X40	8130-31592	2770-31760	8130-31760	2850-31789	2850-31750
9121-53807	380mm	X-Tenon	A2-8	8130-38509		8130-38607	-	-			8130-40760	2850-40789	2850-40750
9121-53810	380mm	90° serr.	A2-8	8130-40611	8820-38612	8130-38610	2870-40591	CAM20X35	8130-38592	2770-38760	8130-40760	2850-40789	2850-40750
9121-53823	380mm	60° serr.	A2-8	8130-40624	8820-38625	8130-40623	8130-40590	CAM20X50	8130-40592	2770-38760	8130-40760	2850-40789	2850-40750
9121-63107	305mm	X-Tenon	A2-11	8130-31509		8130-31607	-	-			8130-31760	2850-31789	2850-31750
9121-63110	305mm	90° serr.	A2-11	8130-31611	8820-31612	8130-31610	2870-26591	CAM16X35	2749-02436	2770-31760		2850-31789	2850-31750
9121-63123	305mm	60° serr.	A2-11	8130-31624	8820-31625	8130-31623	8130-31590	CAM14X40	8130-31592	2770-31760	8130-31760	2850-31789	2850-31750
9121-63807	380mm	X-Tenon	A2-11	8130-38509		8130-38607	-	-			8130-40760	2850-40789	2850-40750
9121-63810	380mm	90° serr.	A2-11	8130-40611	8820-38612	8130-38610	2870-40591	CAM20X35	8130-38592	2770-38760	8130-40760	2850-40789	2850-40750
9121-63823	380mm	60° serr.	A2-11	8130-40624	8820-38625	8130-40623	8130-40590	CAM20X50	8130-40592	2770-38760	8130-40760	2850-40789	2850-40750
9121-64510	450mm	90° serr.	A2-11	8130-40611	8820-38612	8130-45610	2870-40591	CAM20X35		2770-38760	8130-40760	2850-40789	2850-40750
9121-64523	450mm	60° serr.	A2-11			8130-45623	8130-40590			2770-38760	8130-40760	2850-40789	2850-40750
9121-64610	460mm	90° serr.	A2-11	8130-40611	8820-38612	8130-46610	2870-40591	CAM20X35			8130-50760	2850-46789	2850-51750
9121-64623	460mm	60° serr.	A2-11	8130-40624	8820-38625	8137-46002	8130-50590				8130-50760	2850-46789	2850-51750
9121-65026	500mm	Acme	A2-11			8130-50626	8130-40531			8120-50760	-	2850-51789	2850-51750





Chuck no./ Model no.	Size	Type	Mount	Hard Top Jaws	Soft Top Jaws	Base Jaws *	Tee Nut	Tee Nut Screw	Collet Pad Retainer	Sleeve (threaded)	Sleeve (blank)	Actuator	Lever
* 60° x 1.5mm or 90° x 1/16" unless otherwise noted.													
9127-15010	No details available.												
9127-17000	165mm	60° serr.	A2-5	8130-17624	8820-17625	8130-17623	8130-17590	CAM10X25	8130-17592	8120-17760	8130-17760	2850-17789	2850-17750
9127-17010	165mm	60° serr.	Recess	8130-17624	8820-17625	8130-17623	8130-17590	CAM10X25	8130-17592	M48	8130-17760	2850-17789	2850-17750
9127-17020	165mm	60° serr.	A2-5	8130-17624	8820-17625	8130-17596	-	-	8130-17596	8127-17020	8130-17760	2850-17789	2850-17750
9127-17030	165mm	60° serr.	A2-6	8130-17624	8820-17625	8130-17623	8130-17590	CAM10X25	8130-17592	8120-17762	8130-17760	2850-17789	2850-17750
9127-17040	165mm	60° serr.	A2-5	8130-17624	8820-17625	8130-17623	8130-17590	CAM10X25	8130-17592	8120-17760	8130-17760	2850-17789	2850-17750
9127-17050	165mm	60° serr.	A2-5	8130-17624	8820-17625	8130-17623	8130-17590	CAM10X25	8130-17592	8120-17762	8130-17760	2850-17789	2850-17750
9127-17060	165mm	60° serr.	A2-5	8130-17624	8820-17625	8130-17623	8130-17590	CAM10X25	8130-17592	8120-17760	8130-17760	2850-17789	2850-17750
9127-17070	165mm	60° serr.	A2-5	8130-17624	8820-17625	8130-17623	8130-17590	CAM10X25	8130-17592	8120-17762	8130-17760	2850-17789	2850-17750
9127-17080	165mm	60° serr.	A2-5	8130-17624	8820-17625	8130-17623	8130-17590	CAM10X25	8130-17592	8120-17760	8130-17760	2850-17789	2850-17750
9127-17090	165mm	60° serr.	A2-5	8130-17624	8820-17625	8130-17623	8130-17590	CAM10X25	8130-17592	8120-17760	8130-17760	2850-17789	2850-17750
9127-17100	165mm	60° serr.	A2-5	8130-17624	8820-17625	8130-17623	8130-17590	CAM10X25	8130-17592	8137-17181	8130-17760	2850-17789	2850-17750
9127-17110	165mm	60° serr.	A2-5	8130-17624	8820-17625	8130-17623	8130-17590	CAM10X25	8130-17592	8120-17760	8130-17760	2850-17789	2850-17750
9127-21000	210mm	90° serr.	A2-6	8130-21611	8820-21612	8130-21610	2870-17591	CAM12X30	2749-02406	2777-21015	8130-21760	2850-21789	2850-21750
9127-21005	210mm	90° serr.	DIN 6	8130-21611	8820-21612	8130-21610	2870-17591	CAM12X30	2749-02406	8120-21760	8130-21760	2850-21789	2850-21750
9127-21010	210mm	60° serr.	A2-6	8130-21624	8820-21625	8130-21623	8130-21590	CAM12X30	8130-21592	8127-21010		2850-21789	2850-21750
9127-21015	210mm	60° serr.	A2-6	8130-21624	8820-21625	8130-21623	8130-21590	CAM12X30	8130-21592		8130-21760	2850-21789	2850-21750
9127-21020	210mm	60° serr.	A2-6	8130-21624	8820-21625	8130-21623	8130-21590	CAM12X30	8130-21592	2777-21015	8130-21760	2850-21789	2850-21750
9127-21030	210mm	60° serr.	A2-8	8130-21624	8820-21625	8130-21623	8130-21590	CAM12X30	8130-21592	2777-21015	8130-21760	2850-21789	2850-21750
9127-22000	210mm	90° K.B.	A2-8	8130-21611	8820-21612	8130-22610	2870-17591	CAM12X30	2749-02406	8120-22760		8130-22789	2850-21750
9127-22005	210mm	90° K.B.	A2-8	8130-21611	8820-21612	8130-22610	2870-17591	CAM12X30	2749-02406	8120-22760		8130-22789	2850-21750
9127-22010	210mm	90° K.B.	A2-6	8130-21611	8820-21612	8130-22610	2870-17591	CAM12X30	2749-02406	8127-22010		8130-22789	2850-21750
9127-22015	210mm	90° K.B.	A2-6	8130-21611	8820-21612	8130-22610	2870-17591	CAM12X30	2749-02406	8120-22760	+ reducer	8130-22789	2850-21750
9127-22020	210mm	60° K.B.	A2-6	8130-21624	8820-21625	8130-22623	8130-21590	CAM12X30	8130-21592	8120-22760		8130-22789	2850-21750
9127-22025	210mm	90° K.B.	Special	8130-21611	8820-21612	8130-22610	2870-17591	CAM12X30	2749-02406	8120-22760		8130-22789	2850-21750
9127-22035	210mm	60° K.B.	A2-6	8130-21624	8820-21625	8130-22623	8130-21590	CAM12X30	8130-21592	8120-22760		8130-22789	2850-21750
9127-22040	210mm	60° K.B.	A2-6	8130-21624	8820-21625	8130-22623	8130-21590	CAM12X30	8130-21592	8120-22760		8130-22789	2850-21750
9127-22050	210mm	60° K.B.	A2-6	8130-21624	8820-21625	8130-22623	8130-21590	CAM12X30	8130-21592	8120-22760		8130-22789	2850-21750
9127-22060	210mm	60° K.B.	A2-6	8130-21624	8820-21625	8130-22623	8127-22060	CAM12X30	8130-21592	8120-22760		8130-22789	2850-21750
9127-22070	210mm	60° K.B.	A2-6	8130-21624	8820-21625	8130-22623	8127-22060	CAM12X30	8130-21592	8120-22760	+ extension	8130-22789	2850-21750
9127-22080	210mm	90° K.B.	A2-6	8130-21611	8820-21612	8130-22610	2870-17591	CAM12X30	2749-02406	8120-22760		8130-22789	2850-21750
9127-26000	254mm	90° serr.	A2-8	8130-21611	8820-26612	8130-26610	2870-17591	CAM12X30	2749-02416	2770-25760	8130-26760	2850-26789	2850-26750
9127-26015	254mm	90° serr.	A2-8	8130-21611	8820-26612	8130-26610	2870-17591	CAM12X30	2749-02416	2770-25760	8130-26760	2850-26789	2850-26750
9127-26020	254mm	60° serr.	A2-6	8130-26624	8820-26625	8130-26623	8130-26590	CAM12X30	8130-26592	8137-26221	8130-26760	2850-26789	2850-26750
9127-26025	254mm	60° serr.	A2-8	8130-26624	8820-26625	8130-26623	8130-26590	CAM12X30	8130-26592	2770-25760	8130-26760	2850-26789	2850-26750
9127-26030	254mm	90° serr.	A2-8	8130-21611	8820-26612	8130-26610	2870-17591	CAM12X30	2749-02416	2770-25760	8130-26760	2850-26789	2850-26750
9127-26035	254mm	60° serr.	A2-8	8130-26624	8820-26625	8130-26623	8130-26590	CAM12X30	8130-26592	2770-25760	8130-26760	2850-26789	2850-26750
9127-26040	254mm	60° serr.	A2-8	8130-26624	8820-26625	8130-26623	8130-26590	CAM12X30	8130-26592	2770-25760	8130-26760	2850-26789	2850-26750
9127-26045	254mm	60° serr.	A2-6	8130-26624	8820-26625	8130-26623	8130-26590	CAM12X30	8130-26592	8120-26760		2850-26789	2850-26750
9127-26050	254mm	60° serr.	A2-8	8130-26624	8820-26625	8130-26623	8130-26590	CAM12X30	8130-26592	2770-25760	8130-26760	2850-26789	2850-26750
9127-26060	254mm	Spares as 9139-00120 except A2-6 adaptor.											
9127-26070	254mm	60° serr.	A2-6	8130-26624	8820-26625	8130-26623	8130-26590	CAM12X30	8130-26592	2770-25760	8130-26760	2850-26789	2850-26750
9127-26080	254mm	60° serr.	A2-8	8130-26624	8820-26625	8130-26623	8130-26590	CAM12X30	8130-26592	8120-26760	8130-26760	2850-26789	2850-26750
9127-26090	254mm	60° serr.	A2-8	8130-26624	8820-26625	8130-26623	8130-26590	CAM12X30	8130-26592	2770-25760	8130-26760	2850-26789	2850-26750
9127-26100	254mm	60° serr.	A2-8	8130-26624	8820-26625	8130-26623	8130-26590	CAM12X30	8130-26592	2770-25760	8130-26760	2850-26789	2850-26750

Chuck no./ Model no.	Size	Type	Mount	Hard Top Jaws	Soft Top Jaws	Base Jaws	Tee Nut	Tee Nut Screw	Collet Pad Retainer	Sleeve (threaded)	Sleeve (blank)	Actuator	Lever
9127-26110	254mm	90° serr.	A2-8	8130-21611	8820-26612	8130-26610	2870-17591	CAM12X30	2749-02416	2770-25760	8130-26760	2850-26789	2850-26750
9127-26120	254mm	60° serr.	A2-6	8130-26624	8820-26625	8130-26627	8130-26528	CAM12X30	8130-26592	2770-25760	8130-26760	2850-26789	2850-26750
9127-26125	254mm	90° serr.	A2-8	8130-21611	8820-26612	8130-26610	2870-17591	CAM12X30	2749-02416	2770-25760	8130-26760	2850-26789	2850-26750
9127-26130	254mm	90° serr.	A2-8	8130-21611	8820-26612	8130-26610	8127-26131	CAM12X30	2749-02416	2770-25760	8130-26760	2850-26789	2850-26750
9127-26140	254mm	60° serr.	A2-8	8130-26624	8820-26625	8130-26623	8130-26590	CAM12X30	8130-26592	2770-25760	8130-26760	2850-26789	2850-26750
9127-26150	254mm	90° serr.	A2-8	8130-21611	8820-26612	8130-26610	2870-17591	CAM12X30	2749-02416	2770-25760	8130-26760	2850-26789	2850-26750
9127-26160	254mm	60° serr.	A2-6	8130-26624	8820-26625	8130-26623	8130-26590	CAM12X30	8130-26592	2770-25760	8130-26760	2850-26789	2850-26750
9127-26170	254mm	60° serr.	A2-8	8130-26624	8820-26625	8130-26623	8130-26590	CAM12X30	8130-26592	2770-25760	8130-26760	2850-26789	2850-26750
9127-26180	254mm	60° serr.	A2-8	8130-26624	8820-26625	8130-26623	8130-26590	CAM12X30	8130-26592	8120-26760	8130-26760	2850-26789	2850-26750
9127-26190	254mm	60° serr.	A2-8	8130-26624	8820-26625	8130-26623	8130-26590	CAM12X30	8130-26592	2770-25760	8130-26760	2850-26789	2850-26750
9127-26200	254mm	60° serr.	A2-8	8130-26624	8820-26625	8130-26623	8130-26590	CAM12X30	8130-26592			2850-26789	2850-26750
9127-26210	254mm	60° serr.	A2-8	8130-26624	8820-26625	8130-26623	8130-26590	CAM12X30	8130-26592			2850-26789	2850-26750
9127-26220	265mm	60° K.B.	A2-8	8130-26624	8820-26625	8130-27623	8130-26590	CAM12X30		8120-27760		2850-26789	2850-26750
9127-27000	265mm	60° K.B.	A2-8	8130-26624	8820-26625	8130-27623	8130-26590	CAM12X30		8120-27760		2850-26789	2850-26750
9127-27010	265mm	60° K.B.	A2-8	Spares as 9127-27030 except unserrated base jaws supplied.									
9127-27030	265mm	60° K.B.	A2-8	8130-26624	8820-26625	8130-27623	8130-26590	CAM12X30		8120-27760		2850-26789	2850-26750
9127-31000	305mm	60° serr.	A2-8	8130-31624	8820-31625	8130-31623	8130-31590	CAM14X40	8130-31592	2770-31760	8130-31760	2850-31789	2850-31750
9127-31010	305mm	60° serr.	A2-8	8130-31624	8820-31625	8130-31623	8130-31590	CAM14X40	8130-31592	2770-31760	8130-31760	2850-31789	2850-31750
9127-31015	305mm	90° serr.	A2-8	8130-31611	8820-31612	8130-31610	2870-26591	CAM16X35	2749-02436	8127-31015	8130-31760	2850-31789	2850-31750
9127-31020	305mm	90° serr.	A2-8	8130-31611	8820-31612	8130-31610	2870-26591	CAM16X35	2749-02436	2770-31760	8130-31760	2850-31789	2850-31750
9127-38000	380mm	90° serr.	A2-8	8130-40611	8820-38612	8130-38610	2870-40591	CAM20X35	8130-38592	2770-38760		2850-40789	2850-40750
9127-38010	380mm	60° serr.	A2-11	8130-40624	8820-38625	8130-40623	8130-40590	CAM20X50	8130-40592	2770-38760	8130-40760	2850-40789	2850-40750
9127-38015	380mm	60° serr.	A2-11	8130-40624	8820-38625	8130-40623	8130-40590	CAM20X50	8130-40592	2770-38760	8130-40760	2850-40789	2850-40750
9127-38020	380mm	X-Tenon	A2-11	8130-38509		8130-38607	-	-		2770-38760	8130-40760	2850-40789	2850-40750
9127-38030	380mm	60° serr.	A2-11	8130-40624	8820-38625	8130-38615	2870-26591	CAM16X35	8130-40592	2770-38760	8130-40760	2850-40789	2850-40750
9127-38040	380mm	60° serr.	A2-11	8130-40624	8820-38625	8137-38081	2870-26591	CAM16X40	8130-40592	2770-38760	8130-40760	2850-40789	2850-40750
9127-38050	380mm	60° serr.	A2-11	8130-40624	8820-38625	8130-40623	8130-40590	CAM20X50	8130-40592	2770-38760	8130-40760	2850-40789	2850-40750
9127-45000	450mm	Spares as 9121-64510 (A2-8 adaptor) .											
9127-45010	450mm	Spares as 9137-45020.											
9127-45020	450mm	Spares as 9137-45020 except drawtube connector 8127-38015.											
9130-02123	210mm	60° serr.	Recess	8130-21624	8820-21625	8130-21623	8130-21590	CAM12X30	8130-21592	2777-21015	8130-21760	2850-21789	2850-21750
9131-21710	165mm	90° serr.	A2-4	8130-17611	8820-17612	8130-17610	8820-17591	CAM8X20		8120-17760	8130-17760	2850-17789	2850-17750
9131-21723	165mm	60° serr.	A2-5	8130-17624	8820-17625	8130-17623	8130-17590	CAM10X25	8130-17592	8120-17760	8130-17760	2850-17789	2850-17750
9131-31710	165mm	90° serr.	A2-5	8130-17611	8820-17612	8130-17610	8820-17591	CAM8X20		8120-17760	8130-17760	2850-17789	2850-17750
9131-31723	165mm	60° serr.	A2-5	8130-17624	8820-17625	8130-17623	8130-17590	CAM10X25	8130-17592	8120-17760	8130-17760	2850-17789	2850-17750
9131-32110	210mm	90° serr.	A2-5	8130-21611	8820-21612	8130-21610	2870-17591	CAM12X30	2749-02406	2777-21015	8130-21760	2850-21789	2850-21750
9131-32123	210mm	60° serr.	A2-5	8130-21624	8820-21625	8130-21623	8130-21590	CAM12X30	8130-21592	2777-21015	8130-21760	2850-21789	2850-21750
9131-32126	210mm	Acme	A2-5	-	-	8130-21626	2749-02407			2777-21015	8130-21760	2850-21789	2850-21750
9131-42107	210mm	X-Tenon	A2-6	-	-	8130-21607	-			2777-21015	8130-21760	2850-21789	2850-21750
9131-42110	210mm	90° serr.	A2-6	8130-21611	8820-21612	8130-21610	2870-17591	CAM12X30	2749-02406	2777-21015	8130-21760	2850-21789	2850-21750
9131-42123	210mm	60° serr.	A2-6	8130-21624	8820-21625	8130-21623	8130-21590	CAM12X30	8130-21592	2777-21015	8130-21760	2850-21789	2850-21750
9131-42126	210mm	Acme	A2-6	-	-	8130-21626	2749-02407			2777-21015	8130-21760	2850-21789	2850-21750
9131-42210	210mm	90° K.B.	A2-6	8130-21611	8820-21612	8130-22610	2870-17591	CAM12X30		2777-21015	8130-21760	8130-22789	2850-21750
9131-42223	210mm	60° K.B.	A2-6	8130-21624	8820-21625	8130-22623	8130-21590	CAM12X30	8130-21592	8120-22760	8130-21760	8130-22789	2850-21750
9131-42607	254mm	X-Tenon	A2-6	-	-	8130-26607	-			2770-25760	8130-26760	2850-26789	2850-26750



Chuck no/ Model no.	Size	Type	Mount	Hard Top Jaws	Soft Top Jaws	Base Jaws *	Tee Nut	Tee Nut Screw	Collet Pad Retainer	Sleeve (threaded)	Sleeve (blank)	Actuator	Lever
* 60° x 1.5mm or 90° x 1/16" unless otherwise noted.													
9131-42610	254mm	90° serr.	A2-6	8130-21611	8820-26612	8130-26610	2870-17591	CAM12X30	2749-02416	2770-25760	8130-26760	2850-26789	2850-26750
9131-42623	254mm	60° serr.	A2-6	8130-26624	8820-26625	8130-26623	8130-26590	CAM12X30		2770-25760	8130-26760	2850-26789	2850-26750
9131-42626	254mm	Acme	A2-6			8130-26626	2749-02417			2770-25760	8130-26760	2850-26789	2850-26750
9131-42627	254mm	Square	A2-6			8130-26627	8130-26528		8130-26592	2770-25760	8130-26760	2850-26789	2850-26750
9131-52110	210mm	90° serr.	A2-8	8130-21611	8820-21612	8130-21610	2870-17591	CAM12X30	2749-02406	2777-21015	8130-21760	2850-21789	2850-21750
9131-52123	210mm	60° serr.	A2-8	8130-21624	8820-21625	8130-21623	8130-21590	CAM12X30	8130-21592	2777-21015	8130-21760	2850-21789	2850-21750
9131-52223	210mm	60° K.B.	A2-8	8130-21624	8820-21625	8130-22623	8130-21590	CAM12X30	8130-21592	8120-22760	8130-21760	8130-22789	2850-21750
9131-52607	254mm	X-Tenon	A2-8			8130-26607	-			2770-25760	8130-26760	2850-26789	2850-26750
9131-52610	254mm	90° serr.	A2-8	8130-21611	8820-26612	8130-26610	2870-17591	CAM12X30	2749-02416	2770-25760	8130-26760	2850-26789	2850-26750
9131-52623	254mm	60° serr.	A2-8	8130-26624	8820-26625	8130-26623	8130-26590	CAM12X30	8130-26593	2770-25760	8130-26760	2850-26789	2850-26750
9131-52626	254mm	Acme	A2-8			8130-26626	-	-	2749-02426	2770-25760	8130-26760	2850-26789	2850-26750
9131-52627	254mm	Square	A2-8	-	-	8130-26627	-	-	8130-26592		8130-26760	2850-26789	2850-26750
9131-52710	265mm	90° K.B.	A2-8	8130-21611	8820-26612	8130-27610	2870-17591	CAM12X30		8120-27760		2850-26789	2850-26750
9131-52723	265mm	60° K.B.	A2-8	8130-26624	8820-26625	8130-27623	8130-26590	CAM12X30		8120-27760		2850-26789	2850-26750
9131-53107	305mm	X-Tenon	A2-8			8130-31607	-			2770-31760	8130-31760	2850-31789	2850-31750
9131-53110	305mm	90° serr.	A2-8	8130-31611	8820-31612	8130-31610	2870-26591	CAM16X35	2749-02436	2770-31760	8130-31760	2850-31789	2850-31750
9131-53123	305mm	60° serr.	A2-8	8130-31624	8820-31625	8130-31623	8130-31590	CAM14X40	8130-31592	2770-31760	8130-31760	2850-31789	2850-31750
9131-53126	305mm	Acme	A2-8			8130-31626	-	-	8130-31595	2770-31760	8130-31760	2850-31789	2850-31750
9131-53127	305mm	Square	A2-8	-	-	8130-31627			2749-02416		8130-31760	2850-31789	2850-31750
9131-53810	380mm	90° serr.	A2-8	8130-40611	8820-38612	8130-38610	2870-40591	CAM20X35	8130-38592	2770-38760		2850-40789	2850-40750
9131-53823	380mm	60° serr.	A2-8	8130-40624	8820-38625	8130-40623	8130-40590	CAM20X50	8130-40592	2770-38760	8130-40760	2850-40789	2850-40750
9131-53826	380mm	Acme	A2-8	-	-	8130-40626	8130-40531	CA0.750UNC1.750	8130-40595	2770-38760	8130-40760	2850-40789	2850-40750
9131-55027	500mm	Square	A2-8			8130-50627	2179-01506			8120-50760	8130-51760	2850-51789	2850-51750
9131-61010	610mm	90° serr.	A2-11	8130-40611	8820-38612	8130-61610	2870-40591				8120-61760	2850-51789	8130-61750
9131-61023	610mm	60° serr.	A2-11	8130-40624	8820-38625	8130-61623	8130-50590				8120-61760	2850-51789	8130-61750
9131-61026	610mm	Acme	A2-11			8130-61626	-	-			8120-61760	2850-51789	8130-61750
9131-63110	305mm	90° serr.	A2-11	8130-31611	8820-31612	8130-31610	2870-26591	CAM16X35	2749-02436	2770-31760	8130-31760	2850-31789	2850-31750
9131-63123	305mm	60° serr.	A2-11	8130-31624	8820-31625	8130-31623	8130-31590	CAM14X40	8130-31592	2770-31760	8130-31760	2850-31789	2850-31750
9131-63810	380mm	90° serr.	A2-11	8130-40611	8820-38612	8130-38610	2870-40591	CAM20X35	8130-38592	2770-38760	8130-40760	2850-40789	2850-40750
9131-63823	380mm	60° serr.	A2-11	8130-40624	8820-38625	8130-40623	8130-40590	CAM20X50	8130-40592	2770-38760	8130-40760	2850-40789	2850-40750
9131-63826	380mm	Acme	A2-11			8130-40626	-	-	8130-40595	2770-38760	8130-40760	2850-40789	2850-40750
9131-64026	400mm	Acme	A2-11										
9131-64510	450mm	90° serr.	A2-11	8130-40611	8820-38612	8130-45610	2870-40591	CAM20X35		2770-38760	8130-40760		2850-40750
9131-64523	450mm	60° serr.	A2-11	8130-40624	8820-38625	8130-45623	8130-40590			2770-38760	8130-40760	2850-40789	2850-40750
9131-64626	460mm	Acme	A2-11			8130-46626	8130-40531				8130-50760	8130-46789	2850-51750
9131-65010	500mm	90° serr.	A2-11	8130-40611	8820-38612	8130-50610	2870-40591	CAM20x35			8130-50760	2850-51789	2850-51750
9131-65023	500mm	60° serr.	A2-11	8130-40624	8820-38625	8130-50623	8130-50590	CAM20x50			8130-50760	2850-51789	2850-51750
9131-65026	500mm	Acme	A2-11			8130-50626	8130-40531				8130-50760	2850-51789	2850-51750
9131-65027	500mm	Square	A2-11			8130-50627	2179-01506			8120-50760	8130-50760	2850-51789	2850-51750
9131-66126	610mm	Acme	A2-11										
9137-17000	165mm	60° serr.	D1-5	8130-17624	8820-17625	8130-17623	8130-17590	CAM10X25	8130-17592	8137-17000		2850-17789	2850-17750
9137-17005	165mm	60° serr.	A2-5	8130-17624	8820-17625	8130-17623	8130-17590	CAM10X25	8130-17592	8120-17760		2850-17789	2850-17750
9137-17010	165mm	90° serr.	A2-6	8130-17611	8820-17612	8130-17610	8820-17591	CAM8X20		8120-17760		2850-17789	2850-17750
9137-17015	165mm	60° serr.	A2-5	8130-17624	8820-17625	8130-17623	8137-17016	CAM10X25	8130-17592	8120-17760		2850-17789	2850-17750
9137-17020	165mm	90° serr.	A2-5	8130-17611	8820-17612	8130-17610	8820-17591	CAM8X20		8137-17020	8130-17760	2850-17789	2850-17750
9137-17030	165mm	90° serr.	A2-6	8130-17611	8820-17612	8130-17610	8820-17591	CAM8X20		8137-17020	8130-17760	2850-17789	2850-17750



Chuck no./ Model no.	Size	Type	Mount	Hard Top Jaws	Soft Top Jaws	Base Jaws	Tee Nut	Tee Nut Screw	Collet Pad Retainer	Sleeve (threaded)	Sleeve (blank)	Actuator	Lever	
9137-17040	165mm	See detail sheet.												
9137-17060	165mm	60° serr.	A2-5	8130-17624	8820-17625	8130-17623	8130-17590	CAM10X25	8130-17592	8120-17762	8130-17760	2850-17789	2850-17750	
9137-17070	165mm	60° serr.	A2-5	8130-17624	8820-17625	8130-17623	8130-17590	CAM10X25	8130-17592	8137-17070	8130-17760	2850-17789	2850-17750	
9137-17080	165mm	90° serr.	A2-5	8130-17611	8820-17612	8130-17610	8820-17591	CAM8X20		8137-17070	8130-17760	2850-17789	2850-17750	
9137-17090	165mm	60° serr.	A2-5	8130-17624	8820-17625	8130-17623	8130-17590	CAM10X25	8130-17592	8137-17091	8130-17760	2850-17789	2850-17750	
9137-17100	165mm	90° serr.	A2-5	8130-17611	8820-17612	8130-17610	8820-17591	CAM8X20		8137-17020	8130-17760	2850-17789	2850-17750	
9137-17110	165mm	60° serr.	A2-5	8130-17624	8820-17625	8130-17623	8130-17590	CAM10X25	8130-17592	8120-17762	8130-17760	2850-17789	2850-17750	
9137-17120	165mm	60° serr.	A2-5	8130-17624	8820-17625	8130-17623	8130-17590	CAM10X25	8130-17592	8137-17120	8130-17760	2850-17789	2850-17750	
9137-17130	165mm	60° serr.	A2-6	8130-17624	8820-17625	8130-17623	8130-17590	CAM10X25	8130-17592	8120-17762	8130-17760	2850-17789	2850-17750	
9137-17140	165mm	90° serr.	A2-5	8130-17611	8820-17612	8130-17610	8820-17591	CAM8X20		8137-17020	8130-17760	2850-17789	2850-17750	
9137-17180	165mm	Spares as 9131-31723 (with additional parts).												
9137-17190	165mm	60° serr.	A2-5	8130-17624	8820-17625	8130-17696	8820-17591	CAM8X20	8130-17592	8120-17760	8130-17760	2850-17789	2850-17750	
9137-17200	165mm	60° serr.	A2-5	8130-17624	8820-17625	8137-17042	-	-	8130-17592	8120-17760	8130-17760	2850-17789	2850-17750	
9137-17300	165mm	60° serr.	A2-5	8130-17624	8820-17625	8130-17696	8820-17591	CAM8X20	8130-17592	8120-17762	8130-17760	2850-17789	2850-17750	
9137-17310	165mm	60° serr.	A2-5	8130-17624	8820-17625	8130-17696	8820-17591	CAM8X20	8130-17592	8137-17120	8130-17760	2850-17789	2850-17750	
9137-17320	165mm	90° serr.	A2-5	8130-17611	8820-17612	8130-17610	8820-17591	CAM8X20	8130-17592	8137-17070	8130-17760	2850-17789	2850-17750	
9137-17330	165mm	60° serr.	A2-5	8130-17624	8820-17625	8130-17623	8130-17590	CAM10X25	8130-17592	8120-17762	8130-17760	2850-17789	2850-17750	
9137-17340	165mm	60° serr.	A2-6	8130-17624	8820-17625	8130-17623	8130-17590	CAM10X25	8130-17592	8137-17340	8130-17760	2850-17789	2850-17750	
9137-17350	165mm	60° serr.	A2-5	8130-17624	8820-17625	8130-17623	8130-17590	CAM10X25	8130-17592	8137-17070	8130-17760	2850-17789	2850-17750	
9137-17360	165mm	60° serr.	A2-5	8130-17624	8820-17625	8130-17623	8130-17590	CAM10X25	8130-17592	8137-17070	8130-17760	2850-17789	2850-17750	
9137-17370	No details													
9137-17380	165mm	90° serr.	A2-5	8130-17611	8820-17612	8130-17610	8820-17591	CAM8X20	8130-17592	8137-17020	8130-17760	2850-17789	2850-17750	
9137-21000	210mm	60° serr.	D1-6	8130-21624	8820-21625	8130-21623	8130-21590	CAM12X30	8130-21592	8137-21000	8130-21760	2850-21789	2850-21750	
9137-21010	210mm	60° serr.	A2-6	8130-21624	8820-21625	8130-21623	8130-21590	CAM12X30	8130-21592	8137-21010	8130-21760	2850-21789	2850-21750	
9137-21015	210mm	90° serr.	A2-5	8130-21611	8820-21612	8130-21610	2870-17591	CAM12X30	2749-02406	2777-21015	8130-21760	2850-21789	2850-21750	
9137-21020	210mm	60° serr.	A2-6	8130-21624	8820-21625	8130-21623	8130-21590	CAM12X30	8130-21592	2777-21015	8130-21760	2850-21789	2850-21750	
9137-21025	210mm	Spares as 9131-32110 (special A2-5 mount) except:									2777-21015			
9137-21040	210mm	Spares as 9131-42110 (BS 5.25" mount) except:						8137-21041			8137-21040			
9137-21050	210mm	60° serr.	A2-6	8130-21624	8820-21625	8130-21623	8130-21590	CAM12X30	8130-21592	2777-21015	8130-21760	2850-21789	2850-21750	
9137-21060	210mm	Spares as any 210 mm HSQC except special one-piece jaws & cover plate 8137-21064.												
9137-21065	210mm	60° serr.	A2-6	8130-21624	8820-21625	8130-21623	8130-21590	CAM12X30	8130-21592	8137-21065	8130-21760	2850-21789	2850-21750	
9137-21070	210mm	60° serr.	A2-5	8130-21624	8820-21625	8130-21623	8130-21590	CAM12X30	8130-21592	2777-21015	8130-21760	2850-21789	2850-21750	
9137-21080	210mm	60° serr.	A2-6	8130-21624	8820-21625	8130-21623	8130-21590	CAM12X30	8130-21592	8137-21065	8130-21760	2850-21789	2850-21750	
9137-21090	210mm	60° serr.	A2-6	8130-21624	8820-21625	8130-21623	8130-21590	CAM12X30	8130-21592	8137-21065	8130-21760	2850-21789	2850-21750	
9137-21100	210mm	90° serr.	A2-6	8130-21611	8820-21612	8130-21610	2870-17591	CAM12X30	2749-02406	8137-21065	8130-21760	2850-21789	2850-21750	
9137-21110	210mm	60° serr.	A2-6	8130-21624	8820-21625	8130-21623	8130-21590	CAM12X30	8130-21592	M58	8130-21760	2850-21789	2850-21750	
9137-21120	210mm	60° serr.	A2-6	8130-21624	8820-21625	8130-21623	8130-21590	CAM12X30	8130-21592	8137-21120	8130-21760	2850-21789	2850-21750	
9137-21130	210mm	60° serr.	A2-6	8130-21624	8820-21625	8130-21623	8130-21590	CAM12X30	8130-21592	2777-21015	8130-21760	2850-21789	2850-21750	
9137-21140	210mm	90° serr.	A2-6	8130-21611	8820-21612	8130-21610	2870-17591	CAM12X30	2749-02406	2777-21015	8130-21760	2850-21789	2850-21750	
9137-21150	210mm	Spares as 9131-42123 (with additional parts) except:						8137-21152			8137-21150			
9137-21160	210mm	60° serr.	A2-5	8130-21624	8820-21625	8130-21623	8130-21590	CAM12X30	8130-21592	8137-21160	8130-21760	2850-21789	2850-21750	
9137-21170	210mm	90° serr.	A2-5	8130-21611	8820-21612	8130-21610	2870-17591	CAM12X30	2749-02406	8137-21160	8130-21760	2850-21789	2850-21750	
9137-21180	210mm	Spares as 9131-42110 (special backplate) except:									2777-21015			
9137-21190	210mm	60° serr.	A2-6	8130-21624	8820-21625	8130-21623	8130-21590	CAM12X30	8130-21592	8137-21010	8130-21760	2850-21789	2850-21750	
9137-21200	210mm	60° serr.	A2-6	8130-21624	8820-21625	8130-21623	8130-21590	CAM12X30	8130-21592	8137-21200	8130-21760	2850-21789	2850-21750	



Chuck no./ Model no.	Size	Type	Mount	Hard Top Jaws	Soft Top Jaws	Base Jaws	Tee Nut	Tee Nut Screw	Collet Pad Retainer	Sleeve (threaded)	Sleeve (blank)	Actuator	Lever	
9137-21210	210mm	60° serr.	A2-6	8130-21624	8820-21625	8130-21623	8130-21590	CAM12X30	8130-21592	2777-21015	8130-21760	2850-21789	2850-21750	
9137-21220	210mm	Spares as 9131-42123 (with additional parts) except:									8137-21221			
9137-21230	210mm	60° serr.	A2-6	8130-21624	8820-21625	8130-21623	8130-21590	CAM12X30	8130-21592	8137-21065	8130-21760	2850-21789	2850-21750	
9137-21240	210mm	60° serr.	A2-6	8130-21624	8820-21625	8130-21623	8130-21590	CAM12X30	8130-21592	8137-21240	8130-21760	2850-21789	2850-21750	
9137-21250	210mm	60° serr.	A2-6	8130-21624	8820-21625	8130-21623	8130-21590	CAM12X30	8130-21592	8120-21760	8130-21760	2850-21789	2850-21750	
9137-21260	210mm	60° serr.	A2-6 spec.	8130-21624	8820-21625	8130-21623	8130-21590	CAM12X30	8130-21592	8120-21760	8130-21760	2850-21789	2850-21750	
9137-21270	210mm	60° serr.	A2-6 spec.	8130-21624	8820-21625	8130-21623	8130-21590	CAM12X30	8130-21592	8120-21760	8130-21760	2850-21789	2850-21750	
9137-21280	210mm	60° serr.	A2-6	8130-21624	8820-21625	8130-21623	8130-21590	CAM12X30	8130-21592	8120-21760	8130-21760	2850-21789	2850-21750	
9137-21290	210mm	90° serr.	A2-6	8130-21611	8820-21612	8130-21610	2870-17591	CAM12X30	2749-02406	8120-21760	8130-21760	2850-21789	2850-21750	
9137-21320	210mm	90° serr.	DIN 6	8130-21611	8820-21612	8130-21610	2870-17591	CAM12X30	2749-02406	2777-21015	8130-21760	2850-21789	2850-21750	
9137-21330	210mm	60° serr.	A2-6	8130-21624	8820-21625	8130-21623	8130-21590	CAM12X30	8130-21592	8130-21760	8130-21760	2850-21789	2850-21750	
9137-21360	210mm	X-Tenon	A2-6			8130-21607	-			2777-21015	8137-21200	2850-21789	2850-21750	
9137-21370	210mm	60° serr.	A2-6	8130-21624	8820-21625	8130-21623	8130-21590	CAM12X30	8130-21592	8137-21200	8130-21760	2850-21789	2850-21750	
9137-21380	210mm	60° serr.	A2-6	8130-21624	8820-21625	8130-21623	8130-21590	CAM12X30	8130-21592	8137-21200	8130-21760	2850-21789	2850-21750	
9137-21390	210mm	Spares as 9131-42123 (Special A2-6 mount) except:									8120-21760			
9137-21400	210mm	60°	A2-6	8130-21624	8820-21625	8130-21623	8130-21590	CAM12X30	8130-21592	8120-21760	8130-21760	2850-21789	2850-21750	
9137-21410	210mm	60°	A2-6	8130-21624	8820-21625	8130-21623	8130-21590	CAM12X30	8130-21592	8120-21760	8130-21760	2850-21789	2850-21750	
9137-21420	210mm	90°	A2-5	8130-21611	8820-21612	8130-21610	2870-17591	CAM12X30	2749-02406	8137-21120	8130-21760	2850-21789	2850-21750	
9137-21430	210mm	60°	A2-6	8130-21624	8820-21625	8130-21623	8130-21590	CAM12X30	8130-21592	8137-21065	8130-21760	2850-21789	2850-21750	
9137-21440	210mm	60°	A2-5	8130-21624	8820-21625	8130-21623	8130-21590	CAM12X30	8130-21592	8137-21141	8130-21760	2850-21789	2850-21750	
9137-21450	210mm	60°	A2-6	8130-21624	8820-21625	8130-21623	8130-21590	CAM12X30	8130-21592	8137-21065	8130-21760	2850-21789	2850-21750	
9137-21460	210mm	60°	A2-6	8130-21624	8820-21625	8130-21623	8130-21590	CAM12X30	8130-21592	8137-21065	8130-21760	2850-21789	2850-21750	
9137-21470	210mm	60°	A2-6	8130-21624	8820-21625	8130-21623	8130-21590	CAM12X30	8130-21592	8137-21065	8130-21760	2850-21789	2850-21750	
9137-21480	210mm	60°	A2-6	8130-21624	8820-21625	8130-21623	8130-21590	CAM12X30	8130-21592	8137-21065	8130-21760	2850-21789	2850-21750	
9137-21490	210mm	60°	A2-8	8130-21624	8820-21625	8130-21623	8130-21590	CAM12X30	8130-21592	8137-21491	8130-21760	2850-21789	2850-21750	
9137-21500	210mm	60°	A2-6	8130-21624	8820-21625	8130-21623	8130-21590	CAM12X30	8130-21592	8137-21065	8130-21760	2850-21789	2850-21750	
9137-21510	210mm	60°	A2-6	8130-21624	8820-21625	8130-21623	8130-21590	CAM12X30	8130-21592	8137-21065	8130-21760	2850-21789	2850-21750	
9137-22000	210mm	Spares as 9131-42210 except: ** WATCH **				8130-22623	8130-26590?	CAM12X30						
9137-22010	210mm	90° K.B.	A2-8	8130-21611	8820-21612	8130-22610	2870-17591	CAM12X30	2749-02406	8120-22760		8130-22789	2850-21750	
9137-22020	210mm	60° K.B.	A2-8	8130-21624	8820-21625	8130-22623	8130-21590	CAM12X30	8130-21592	8120-22760	8130-21760	8130-22789	2850-21750	
9137-22030	210mm	90° K.B.	A2-6	8130-21611	8820-21612	8130-21610	2870-17591	CAM12X30	2749-02406	2777-21015		2850-21789	2850-21750	
9137-22050	210mm	90° K.B.	Special	8130-21611	8820-21612	8130-22610	2870-17591	CAM12X30	2749-02406	8120-22760		8130-22789	2850-21750	
9137-22080	210mm	90° K.B.	A2-8	8130-21611	8820-21612	8130-22610	2870-17591	CAM12X30	2749-02406	8120-22760		8130-22789	2850-21750	
9137-22090	210mm	90° K.B.	A2-6	8130-21611	8820-21612	8130-22610	2870-17591	CAM12X30	2749-02406	8137-22090		8130-22789	2850-21750	
9137-22100	210mm	60° K.B.	A2-8	8130-21624	8820-21625	8130-22623	8130-21590	CAM12X30	8130-21592	8120-22760	8130-21760	8130-22789	2850-21750	
9137-22110	210mm	Spares as 9121-42223 (with additional parts).												
9137-22120	210mm	Spares as 9121-42223 (with A2-8 adaptor).												
9137-22130	210mm	90° K.B.	A2-6	8130-21611	8820-21612	8130-22610	2870-17591	CAM12X30	2749-02406	8137-22130		8130-22789	2850-21750	
9137-22140	210mm	90° K.B.	A2-6	8130-21611	8820-21612	8130-22610	2870-17591	CAM12X30	2749-02406	8137-22140		8130-22789	2850-21750	
9137-22150	210mm	60° K.B.	A2-6 spec.	8130-21624	8820-21625	8130-21623	8130-21590	CAM12X30	8130-21592	8137-21065		2850-21789	2850-21750	
9137-22160	210mm	60° K.B.	A2-6	8130-21624	8820-21625	8130-22623	8130-21590	CAM12X30	8130-21592	8820-22760		8130-22789	2850-21750	
9137-22170	210mm	60° K.B.	A2-6	8130-21624	8820-21625	8130-22623	8130-21590	CAM12X30	8130-21592	8137-22170		8130-22789	2850-21750	
9137-22180	210mm	90° K.B.	A2-6	8130-21611	8820-21612	8130-22610	2870-17591	CAM12X30	2749-02406	2777-21015		8130-22789	2850-21750	
9137-22190	No details of source chuck.													
9137-22200	210mm	60° K.B.	A2-6	8130-21624	8820-21625	8130-22623	8130-21590	CAM12X30	8130-21592	8120-22760	8130-21760	8130-22789	2850-21750	
9137-22210	210mm	60° K.B.	A2-6	8130-21624	8820-21625	8130-22623	8130-21590	CAM12X30	8130-21592	8120-22760	8130-21760	8130-22789	2850-21750	



Chuck no./ Model no.	Size	Type	Mount	Hard Top Jaws	Soft Top Jaws	Base Jaws	Tee Nut	Tee Nut Screw	Collet Pad Retainer	Sleeve (threaded)	Sleeve (blank)	Actuator	Lever	
9137-26000	254mm	60° serr.	A2-6	8130-26624	8820-26625	8130-26623	8130-26590	CAM12X30	8130-26592	8137-26000		2850-26789	2850-26750	
9137-26010	254mm	60° serr.	A2-8	8130-26624	8820-26625	8137-26010	8130-26591		8130-26592	2770-25760		2850-26789	2850-26750	
9137-26020	254mm	90° serr.	A2-8	8130-21611	8820-26612	8130-26610	2870-17591	CAM12X30	2749-02416		8130-26760	2850-26789	2850-26750	
9137-26030	254mm	Note-chuck fitted with 2 different sets of base jaws.				8137-26030	2770-26591			2770-26760				
9137-26040	254mm	60° serr.	A2-8	8130-26624	8820-26625	8137-26040	8130-26590	CAM12X30	8130-26592	2770-25760	8130-26760	2850-26789	2850-26750	
9137-26050	254mm	60° serr.	A2-8	8130-26624	8820-26625	8130-26623	8137-26051	CAM12X30	8130-26592	2770-25760	8130-26760	2850-26789	2850-26750	
9137-26060	254mm	Spares as 9131-52610 except special adaptor.												
9137-26070	254mm	60° serr.	A2-8	8130-26624	8820-26625	8130-26623	8130-26590	CAM12X30	8130-26592	2770-25760	8130-26760	2850-26789	2850-26750	
9137-26080	254mm	60° serr.	A2-6	8130-26624	8820-26625	8130-26623	8130-26590	CAM12X30	8130-26592	2770-25760	8130-26760	2850-26789	2850-26750	
9137-26090	254mm	60° serr.	A2-8	8130-26624	8820-26625	8130-26623	8130-26590	CAM12X30	8130-26592	8137-26090	8130-26760	2850-26789	2850-26750	
9137-26100	254mm	90° serr.	A2-8	8130-21611	8820-26612	8130-26610	2870-17591	CAM12X30	2749-02416	2770-25760	8130-26760	2850-26789	2850-26750	
9137-26110	254mm	60° serr.	A2-8	8130-26624	8820-26625	8130-26623	8137-26111	CAM12X30	8130-26592	2770-25760	8130-26760	2850-26789	2850-26750	
9137-26120	254mm	Spares as 9131-42607 except:									8137-26120			
9137-26130	254mm	90° serr.	A2-8	8130-21611	8820-26612	8130-26610	2870-17591	CAM12X30	2749-02416	8137-26130	8130-26760	2850-26789	2850-26750	
9137-26150	254mm	No detail of source chuck but note special parts:									8137-26150		8137-26151	
9137-26160	254mm	90° serr.	A2-8	8130-21611	8820-26612	8130-26610	2870-17591	CAM12X30	2749-02416	2770-25760	8130-26760	2850-26789	2850-26750	
9137-26170	254mm	Spares as 9131-52610 (A2-6 mount) except:									2770-25760			
9137-26180	254mm	Spares as 9121-52610 except:									2770-25760			
9137-26190	254mm	90° W.M.	A2-8	8130-26624	8820-26625	8130-26623	8130-26590	CAM12X30	8130-26592	2770-25760		2850-26789	8139-00121	
9137-26200	No details available													
9137-26210	254mm	No detail of source chuck but note special parts:					8137-26210 / 8137-26211							
9137-26220	254mm	90° serr.	A2-8	8130-21611	8820-26612	8130-26610	2870-17591	CAM12X30	2749-02416	8137-26221	8130-26760	2850-26789	2850-26750	
9137-26230	254mm	Spares as 9137-26010 except jaws 8137-26230.												
9137-26240	254mm	No detail of source chuck but note special parts:					8137-26240							
9137-26250	254mm	No detail of source chuck but note special parts:					8137-26250							
9137-26260	254mm	60° serr.	A2-6	8130-26624	8820-26625	8130-26623	8130-26590	CAM12X30	8130-26592	8137-26221	8130-26760	2850-26789	2850-26750	
9137-26270	254mm	Spares as 9139-00120 (A2-11 adaptor) except:					8130-26610 2870-17591							
9137-26280	254mm	60° serr.	A2-6	8130-26624	8820-26625	8130-26623	8130-26590	CAM12X30	8130-26592	8137-26221	8130-26760	2850-26789	2850-26750	
9137-26290	254mm	Spares as 9121-42623 except:					8137-26290							
9137-26300	254mm	90° serr.	A2-8	8130-21611	8820-26612	8130-26610	2870-17591	CAM12X30	2749-02416	8137-26221	8130-26760	2850-26789	2850-26750	
9137-26310	254mm	60° serr.	A2-6	8130-26624	8820-26625	8130-26623	8130-26590	CAM12X30	8130-26592	8137-26221	8130-26760	2850-26789	2850-26750	
9137-26320	254mm	60° serr.	A2-6	8130-26624	8820-26625	8130-26623	8130-26590	CAM12X30	8130-26592	8137-26320	8130-26760	2850-26789	2850-26750	
9137-26330	254mm	Spares as 9131-52610 except A2-6 adaptor.							CAM12X30 2749-02416					
9137-26340	254mm	60° serr.	A2-6	8130-26624	8820-26625	8130-26623	8130-26590	CAM12X30	8130-26592	8137-26340	8130-26760	2850-26789	2850-26750	
9137-26350	254mm	90° serr.	A2-8	8130-21611	8820-26612	8130-26610	2870-17591	CAM12X30	2749-02416	2770-25760	8130-26760	2850-26789	2850-26750	
9137-26360	254mm	60° serr.	A2-8	8130-26624	8820-26625	8130-26623	8130-26590	CAM12X30	8130-26592	8137-26360	8130-26760	2850-26789	2850-26750	
9137-26370	254mm	60° serr.	A2-6	8130-26624	8820-26625	8130-26623	8130-26590	CAM12X30	8130-26592	8137-26000	8130-26760	2850-26789	2850-26750	
9137-26380	254mm	90° serr.	A2-8	8130-21611	8820-26612	8130-26610	2870-17591	CAM12X30	2749-02416	8137-26000	8130-26760	2850-26789	2850-26750	
9137-26390	254mm	60° serr.	A2-8	8130-26624	8820-26625	8130-26623	8130-26590	CAM12X30	8130-26592	2770-25760	8130-26760	2850-26789	2850-26750	
9137-26400	254mm	90° serr.	A2-6	8130-21611	8820-26612	8130-26610	2870-17591	CAM12X30	2749-02416	8137-26330	8130-26760	2850-26789	2850-26750	
9137-26410	254mm	90° serr.	A2-8	8130-21611	8820-26612	8130-26610	2870-17591	CAM12X30	2749-02416	8137-26221	8130-26760	2850-26789	2850-26750	
9137-26420	254mm	60°	A2-8	8130-26624	8820-26625	8130-26623	8130-26590	CAM12X30	8130-26592	8137-26340		2850-26789	2850-26750	
9137-26430	254mm	90° serr.	A2-8	8130-21611	8820-26612	8130-26610	2870-17591	CAM12X30	2749-02416	8137-26430		2850-26789	2850-26750	
9137-26440	254mm	60°	A2-8	8130-26624	8820-26625	8130-26623	8130-26590	CAM12X30	8130-26592	8137-26360		2850-26789	2850-26750	
9137-26450	254mm	90° serr.	A2-6	8130-21611	8820-26612	8130-26610	2870-17591	CAM12X30	2749-02416	8120-26760		2850-26789	2850-26750	
9137-26460	254mm	Spares as 9137-26200 except 60° jaws.												



Chuck no./ Model no.	Size	Type	Mount	Hard Top Jaws	Soft Top Jaws	Base Jaws	Tee Nut	Tee Nut Screw	Collet Pad Retainer	Sleeve (threaded)	Sleeve (blank)	Actuator	Lever	
9137-26470	254mm	60°	A2-8	8130-26624	8820-26625	8130-26623	8130-26590	CAM12X30	8130-26592	2770-25760		2850-26789	2850-26750	
9137-26480	254mm	90° serr.	A2-6	8130-21611	8820-26612	8130-26610	8137-26480	CAM12X30	2749-02416	8137-26481		2850-26789	2850-26750	
9137-26490	254mm	Everything special on this chuck! See parts list.												
9137-26500	254mm	Spares as 9131-52610 (with additional parts) except:									8137-26500			
9137-26520	254mm	Spares as 9131-52610 (recess adaptor) except:									2770-25760			
9137-26530	254mm	Spares as 9131-42610 (A2-5 ? or A2-6 mount) except:									8137-26320			
9137-26540	254mm	60°	A2-8	8130-26624	8820-26625	8130-26623	8130-26590	CAM12X30	8130-26592	8137-26541 + associated components.		2850-26750		
9137-26550	254mm	90°	A2-6	8130-21611	8820-26612	8130-26610	2870-17591	CAM12X30	2749-02416	2770-25760		2850-26789	2850-26750	
9137-26575	254mm	Spares as 9137-26270 except:										8130-26760		
9137-26580	254mm	90°	A2-8	8130-21611	8820-26612	8130-26610	2870-17591	CAM12X30	2749-02416	8137-26000		2850-26789	2850-26750	
9137-26585	254mm	60°	A2-6	8130-26624	8820-26625	8130-26623	8130-26590	CAM12X30	8130-26592	8137-26090		2850-26789	2850-26750	
9137-26590	254mm	Spares as 9137-26270 (A2-6 adaptor) except:									8137-26590			
9137-26620	254mm	90°	A2-8	8130-21611	8820-26612	8130-26610	2870-17591	CAM12X30	2749-02416	8137-26000		2850-26789	2850-26750	
9137-26630	254mm	90°	A2-8	8130-21611	8820-26612	8130-26610	2870-17591	CAM12X30	2749-02416	8137-26630		2850-26789	2850-26750	
9137-26650	254mm	60°	A2-6	8130-26624	8820-26625	8130-26623	8130-26590	CAM12X30	8130-26592	8137-26650		2850-26789	2850-26750	
9137-26660	254mm	90°	A2-6	8130-21611	8820-26612	8130-26610	2870-17591	CAM12X30	2749-02416	8137-26320		2850-26789	2850-26750	
9137-26680	254mm	60°	A2-8	8130-26624	8820-26625	8130-26623	8130-26590	CAM12X30	8130-26592	8137-26541 + associated components.		2850-26750		
9137-26690	254mm	60°	A2-8	8130-26624	8820-26625	8130-26623	8130-26590	CAM12X30	8130-26592	8137-26000		2850-26789	2850-26750	
9137-26700	254mm	60°	A2-6	8130-26624	8820-26625	8130-26623	8130-26590	CAM12X30	8130-26592	8137-26650		2850-26789	2850-26750	
9137-26710	254mm	90°	A2-8	8130-21611	8820-26612	8130-26610	2870-17591	CAM12X30	2749-02416	8137-26713		2850-26789	2850-26750	
9137-26720	254mm	90°	A2-8	8130-21611	8820-26612	8130-26610	2870-17591	CAM12X30	2749-02416	8137-26221		2850-26789	2850-26750	
9137-26730	254mm	60°	A2-6	8130-26624	8820-26625	8130-26623	8130-26590	CAM12X30	8130-26592	8137-26330		2850-26789	2850-26750	
9137-26740	254mm	60°	A2-8	8130-26624	8820-26625	8130-26623	8130-26590	CAM12X30	8130-26592	8137-26340		2850-26789	2850-26750	
9137-26750	254mm	60°	A2-6	8130-26624	8820-26625	8130-26623	8130-26590	CAM12X30	8130-26592	8137-26650		2850-26789	2850-26750	
9137-26760	254mm	60°	A2-8	8130-26624	8820-26625	8130-26623	8130-26590	CAM12X30	8130-26592	8137-26762		2850-26789	2850-26750	
9137-26770	254mm	60°	A2-8	8130-26624	8820-26625	8130-26623	8130-26590	CAM12X30	8130-26592	2770-25760		2850-26789	2850-26750	
9137-26780	254mm	90°	A2-8	8130-21611	8820-26612	8137-26781	2870-17591	CAM12X30	2749-02416	8137-26783		2850-26789	2850-26750	
9137-26790	254mm	90°	A2-8	8130-21611	8820-26612	8130-26610	2870-17591	CAM12X30	2749-02416	8137-26000		2850-26789	2850-26750	
9137-26800	254mm	90°	A2-8	8130-21611	8820-26612	8130-26610	8137-26800	CAM12X30	2749-02416	8137-26000		2850-26789	2850-26750	
9137-26810	254mm	60°	A2-6	8130-26624	8820-26625	8130-26623	8130-26590	CAM12X30	8130-26592	8137-26650		2850-26789	2850-26750	
9137-26820	254mm	No details available												
9137-26830	254mm	60°	A2-6	8130-26624	8820-26625	8130-26623	8130-26590	CAM12X30	8130-26592	8137-26000		2850-26789	2850-26750	
9137-26840	254mm	90° W.M.	Recess	8130-21611	8820-26612	8130-26610	2870-17591	CAM12X30	2749-02416	2770-25760		2850-26789	8139-00121	
9137-26850	254mm	90° W.M.	Recess	8130-21611	8820-26612	8130-26610	2870-17591	CAM12X30	2749-02416	2770-25760		2850-26789	8139-00121	
9137-27000	265mm	Spares as 9131-52710 except:									8137-27001 (sleeve extension)			
9137-27010	265mm	60° L.B.	A2-8	8130-26624	8820-26625	8130-27623	8130-26590	CAM12X30		8137-27010		2850-26789	2850-26750	
9137-27020	265mm	Replaced by 9137-27070.												
9137-27020	265mm	90° L.B.	A2-8	8130-21611	8820-26612		2870-17591	CAM12X30		8137-27010		2850-26789	2850-26750	
9137-27040	265mm	Spares as 9121-52723 (A2-6 adaptor) except:									8137-27041 + associated components.			
9137-27050	265mm	No detail of source chuck.												
9137-27060	265mm	60°	A2-8	8130-26624	8820-26625	8130-26623	8130-26590	CAM12X30		8137-27041 + associated components.		2850-26750		
9137-27070	265mm	60°	A2-8	8130-26624	8820-26625	8130-27623	8130-26590	CAM12X30		8137-27030 + associated components.		2850-26750		
9137-27090	265mm	90°	A2-8	8130-21611	8820-26612	8130-27610	2870-17591	CAM12X30		8137-27760		2850-26789	2850-26750	
9137-27100	265mm	60°	A2-8	8130-26624	8820-26625	8130-27623	8130-26590	CAM12X30		8137-27100		2850-26789	2850-26750	
9137-27110	265mm	90°	A2-6	8130-21611	8820-26612	8130-27610	2870-17591	CAM12X30		8137-27111		2850-26789	2850-26750	
9137-27120	265mm	60°	A2-8	8130-26624	8820-26625	8130-27623	8130-26590	CAM12X30		8137-27100		2850-26789	2850-26750	



Chuck no./ Model no.	Size	Type	Mount	Hard Top Jaws	Soft Top Jaws	Base Jaws *	Tee Nut	Tee Nut Screw	Collet Pad Retainer	Sleeve (threaded)	Sleeve (blank)	Actuator	Lever	
* 60° x 1.5mm or 90° x 1/16" unless otherwise noted.														
9137-27140	265mm	60°	A2-8	8130-26624	8820-26625	8130-27623	8130-26590	CAM12X30		8137-27140		2850-26789	2850-26750	
9137-27150	265mm	60°	A2-8	8130-26624	8820-26625	8130-27623	8130-26590	CAM12X30		8137-27100		2850-26789	2850-26750	
9137-27160	265mm	60°	A2-8	8130-26624	8820-26625	8130-27623	8130-26590	CAM12X30		8137-27160		2850-26789	2850-26750	
9137-27170	265mm	60°	A2-6	8130-26624	8820-26625	8130-27623	8130-26590	CAM12X30		8137-27170		2850-26789	2850-26750	
9137-27180	265mm	No details available												
9137-27190	265mm	90°	A2-8	8130-21611	8820-26612	8130-27610	2870-17591	CAM12X30		8137-27191		2850-26789	2850-26750	
9137-27200	265mm	60°	A2-8	8130-26624	8820-26625	8130-27623	8130-26590	CAM12X30		8137-27010		2850-26789	2850-26750	
9137-31000	305mm	No detail of source chuck. Fitted with cross tenon base jaws 8137-31000/31001/31002.												
9137-31010	305mm	60°	D1-11	8130-31624	8820-31625	8130-31623	8130-31590	CAM14X40		8137-31010	8130-31760	2850-31789	2850-31750	
9137-31020	305mm	Sq. serr.	A2-6	-	8820-31625	8137-31021	-	-		8137-31020	8130-31760	2850-31789	2850-31750	
9137-31030	305mm	Dummy	A2-8			8137-31032				8137-31031	8130-31760	2850-31789	2850-31750	
9137-31040	305mm	60° serr.	A2-8	8130-31624	8820-31625	8130-31623	8130-31590	CAM14X40	8130-31592	8137-31040	8130-31760	2850-31789	2850-31750	
9137-31050	305mm		A2-8	-	-	8137-31050	-	-			8130-31760	2850-31789	2850-31750	
9137-31060	305mm	Acme	A2-8	-	-	8137-31060	-	-			8130-31760	2850-31789	2850-31750	
9137-31070	305mm	90° serr.	A2-8	8130-31611	8820-31612	8130-31610	2870-26591	CAM16X35	2749-02436	2770-31760	8130-31760	2850-31789	2850-31750	
9137-31080	305mm	Spares as 9131-53107 (special backplate) except:									2770-31760			
9137-31090	305mm	Spares as 9131-53123 except cover plate and:					8137-31091							
9137-31100	305mm	90° serr.	A2-8	8130-31611	8820-31612	8130-31610	2870-26591	CAM16X35		2770-31760	8130-31760	2850-31789	2850-31750	
9137-31110	305mm	90° serr.	A2-8	8130-31611	8820-31612	8130-31610	8137-31111	CAM16X30		2770-31760	8130-31760	2850-31789	2850-31750	
9137-31120	305mm	Spares as 9131-53110 except single piece jaws 8137-31121/31122/31123.									8137-31120			
9137-31130	305mm	Spares as 9131-53110 except single piece jaws 8137-31121/31122/31123.												
9137-31135	305mm	60° serr.	A2-8	8130-31624	8820-31625	8130-31623	8130-31590	CAM14X40		2770-31760	8130-31760	2850-31789	2850-31750	
9137-31140	305mm	90° serr.	A2-8	8130-31611	8820-31612	8130-31610	8137-31141			2770-31760	8130-31760	2850-31789	2850-31750	
9137-31145	305mm	60° serr.	A2-8	8130-31624	8820-31625	8130-31623	8130-31590	CAM14X40		2770-31760	8130-31760	2850-31789	2850-31750	
9137-31150	305mm	90° serr.	A2-8	8130-31611	8820-31612	8130-31610	2870-26591	CAM16X35		2770-31760	8130-31760	2850-31789	2850-31750	
9137-31155	305mm	60° serr.	A2-8	8130-31624	8820-31625	8130-31623	8130-31590	CAM14X40	8130-31592	2770-31760	8130-31760	2850-31789	2850-31750	
9137-31160	305mm	No details. See conversion 7041-45000.												
9137-31165	305mm	60° serr.		8130-31624	8820-31625	8130-31623	8130-31590	CAM14X40		8137-31010	8130-31760	2850-31789	2850-31750	
9137-31170	305mm	60° serr.		8130-31624	8820-31625	8130-31623	8130-31590	CAM14X40		8137-31170	8130-31760	2850-31789	2850-31750	
9137-31175	305mm	60° serr.	A2-8	8130-31624	8820-31625	8130-31623	8130-31590	CAM14X40	8130-31592	8137-31175	8130-31760	2850-31789	2850-31750	
9137-31180	305mm	60° serr.	A2-8	8130-31624	8820-31625	8130-31623	8130-31590	CAM14X40	8130-31592	8137-31182	8130-31760	2850-31789	2850-31750	
9137-31190	305mm	60° serr.	A2-8	8130-31624	8820-31625	8130-31623	8130-31590	CAM14X40	8130-31592	8137-31190	8130-31760	2850-31789	2850-31750	
9137-31200	305mm	90° serr.	A2-8	8130-31611	8820-31612	8130-31610	2870-26591	CAM16X35	2749-02436	8137-31190		2850-31789	2850-31750	
9137-31210	305mm	60° serr.	A2-11	8130-31624	8820-31625	8130-31623	8130-31590	CAM14X40	8130-31592	8137-31210	8130-31760	2850-31789	2850-31750	
9137-31220	305mm	60° serr.	A2-8	8130-31624	8820-31625	8130-31623	8130-31590	CAM14X40	8130-31592	8137-31220		2850-31789	2850-31750	
9137-31230	305mm	60° serr.	A2-8	8130-31624	8820-31625	8130-31623	8130-31590	CAM14X40	8130-31592	8137-31230		2850-31789	2850-31750	
9137-31240	305mm	90° serr.	A2-8	8130-31611	8820-31612	8130-31610	2870-26581	CAM16X35	2749-02436	8137-31241		2850-31789	2850-31750	
9137-31250	305mm	60° serr.	A2-8	8130-31624	8820-31625	8130-31623	8130-31590	CAM14X40	8130-31592	8137-31120		2850-31789	2850-31750	
9137-31260	305mm	60° serr.	A2-8	8130-31624	8820-31625	8130-31623	8130-31590	CAM14X40	8130-31592	8137-31261		2850-31789	2850-31750	
9137-31270	305mm	60° serr.	A2-8	8130-31624	8820-31625	8130-31623	8130-31590	CAM14X40	8130-31592	2770-31760		2850-31789	2850-31750	
9137-31280	305mm	Spares as 9139-00100 (A2-8 adaptor) except:									8137-31220			
9137-31290	305mm	90° serr.	A2-11	8130-31611	8820-31612	8130-31610	2870-26581	CAM16X35	2749-02436	8137-31290		2850-31789	2850-31750	
9137-31300	305mm	90° serr.	DIN 8	8130-31611	8820-31612	8130-31610	2870-26581	CAM16X35	2749-02436	8137-31220		2850-31789	2850-31750	
9137-31310	305mm	90° serr.	A2-11	8130-31611	8820-31612	8130-31610	2870-26581	CAM16X35	2749-02436	8137-31310		2850-31789	2850-31750	
9137-31320	305mm	Spares as 9139-00100 (DIN-8 adaptor) except:									8137-31220			
9137-31340	305mm	Spares as 9139-00100 except:									8137-31290			





Chuck no./ Model no.	Size	Type	Mount	Hard Top Jaws	Soft Top Jaws	Base Jaws	Tee Nut	Tee Nut Screw	Collet Pad Retainer	Sleeve (threaded)	Sleeve (blank)	Actuator	Lever
9137-31350	305mm	90° serr.	Recess	8130-31611	8820-31612	8130-31610	2870-26581	CAM16X35	2749-02436	8137-31350		2850-31789	2850-31750
9137-31360	305mm	90° serr.	A2-11	8130-31611	8820-31612	8130-31610	2870-26581	CAM16X35	2749-02436	8137-31360		2850-31789	2850-31750
9137-31370	305mm	90° serr.	A2-8	8130-31611	8820-31612	8130-31610	2870-26581	CAM16X35	2749-02436	8137-31370		2850-31789	2850-31750
9137-31380	305mm	60° serr.	A2-8	8130-31624	8820-31625	8130-31623	8130-31590	CAM14X40	8130-31592	8137-31190		2850-31789	2850-31750
9137-31390	305mm	90°	A2-8	8130-31611	8820-31612	8130-31610	2870-26591	CAM16X35	2749-02436	8137-31360		2850-31789	2850-31750
9137-31400	305mm	No detail of source chuck. Special A2-8 backplate.											
9137-31410	305mm	No detail of source chuck. Acme base jaws.											
9137-31420	305mm	60° serr.	A2-8	8130-31624	8820-31625	8130-31623	8130-31590	CAM14X40	8130-31592	8137-31031		2850-31789	2850-31750
9137-31430	305mm	Spares as 9139-00100.											
9137-31440	305mm	60°	A2-8	8130-31624	8820-31625	8130-31623	8130-31590	CAM14X40	8130-31592	8137-31031		2850-31789	2850-31750
9137-31450	305mm	60°	A2-8	8130-31624	8820-31625	8130-31623	8130-31590	CAM14X40	8130-31592	8137-31450		2850-31789	2850-31750
9137-31460	305mm	60°	A2-8	8130-31624	8820-31625	8130-31623	8130-31590	CAM14X40	8130-31592	8137-31460		2850-31789	2850-31750
9137-31470	305mm	Acme	A2-8			8130-31626				8137-31472		2850-31789	2850-31750
9137-31480	305mm	90°	A2-8	8130-31611	8820-31612	8130-31610	2870-26591	CAM16X35	2749-02436	8137-31480		2850-31789	2850-31750
9137-31490	305mm	60°	A2-8	8130-31624	8820-31625	8130-31623	8130-31590	CAM14X40	8130-31592	8137-31490		2850-31789	2850-31750
9137-31510	305mm	60°	A2-8	8130-31624	8820-31625	8130-31623	8130-31590	CAM14X40	8130-31592	8137-31511		2850-31789	2850-31750
9137-31520	305mm	90°	A2-8	8130-31611	8820-31612	8130-31610	2870-26591	CAM16X35	2749-02436	8137-31511		2850-31789	2850-31750
9137-31530	305mm	90°	A2-8	8130-31611	8820-31612	8130-31610	2870-26591	CAM16X35	2749-02436	8137-31490		2850-31789	2850-31750
9137-31540	305mm	Spares as 9131-53127 except:											
9137-31550	305mm	90°	A2-8	8130-31611	8820-31612	8130-31610	2870-26591	CAM16X35	2749-02436	2770-31760		2850-31789	2850-31750
9137-31560	305mm	90°	A2-8	8130-31611	8820-31612	8130-31610	2870-26591	CAM16X35	8130-31592	8137-31541		2850-31789	2850-31750
9137-31570	305mm	60°	A2-8	8130-31624	8820-31625	8130-31623	8130-31590	CAM14X40	8130-31592	8137-31573		2850-31789	2850-31750
9137-31580	305mm	60°	A2-8	8130-31624	8820-31625	8130-31623	8130-31590	CAM14X40	2749-02436	8137-31490		2850-31789	2850-31750
9137-31590	305mm	90°	A2-8	8130-31611	8820-31612	8130-31610	2870-26591	CAM16X35	2749-02436	8137-31541		2850-31789	2850-31750
9137-31600	305mm	60°	A2-8	8130-31624	8820-31625	8130-31623	8130-31590	CAM14X40	8130-31592	8137-31600		2850-31789	2850-31750
9137-31610	305mm	90°	A2-8	8130-31611	8820-31612	8130-31610	2870-26591	CAM16X35	2749-02436	8137-31611		2850-31789	2850-31750
9137-31620	305mm	90°	A2-8	8130-31611	8820-31612	8130-31610	2870-26591	CAM16X35	2749-02436	8137-31620		2850-31789	2850-31750
9137-31630	305mm	60°	A2-8	8130-31624	8820-31625	8130-31623	8130-31590	CAM14X40	8130-31592	2770-31760		2850-31789	2850-31750
9137-31640	305mm	90°	A2-8	8130-31611	8820-31612	8130-31610	8137-31640	CAM16X35	2749-02436	8137-31641		2850-31789	2850-31750
9137-31650	305mm	90°	A2-8	8130-31611	8820-31612	8130-31610	2870-26591	CAM16X35	2749-02436	8137-31490		2850-31789	2850-31750
9137-31660	305mm	90°	A2-8	8130-31611	8820-31612	8130-31610	2870-26591	CAM16X35	2749-02436	8137-31490		2850-31789	2850-31750
9137-31670	305mm	60°	A2-8	8130-31624	8820-31625	8130-31623	8130-31590	CAM14X40	8130-31592	8137-31190		2850-31789	2850-31750
9137-31680	305mm	60°	A2-8	8130-31624	8820-31625	8130-31623	8130-31590	CAM14X40	8130-31592	8137-31170		2850-31789	2850-31750
9137-31690	305mm	90°	A2-8	8130-31611	8820-31612	8130-31610	2870-26591	CAM16X35	2749-02436	8137-31511	8130-31760	2850-31789	2850-31750
9137-31700	305mm	60°	A2-8	8130-31624	8820-31625	8130-31623	8130-31590	CAM14X40	8130-31592	8137-31511	8130-31760	2850-31789	2850-31750
9137-38000	380mm	60° serr.	A2-11	8130-40624	8820-38625	8137-38005	8137-38001		8130-40592	2770-38760	8130-40760	2850-40789	2850-40750
9137-38010	380mm	90° serr.	A2-8	8130-40611	8820-38612	8130-38610	2870-40591	CAM20X35	8130-38592	8137-38010	8130-40760	2850-40789	2850-40750
9137-38020	380mm	60° serr.	A2-11	8130-40624	8820-38625	8137-38021	8130-40590	CAM20X50	8130-40592	2770-38760	8130-40760	2850-40789	2850-40750
9137-38030	380mm	No detail of source chuck. M132 sleeve.											
9137-38040	380mm	90° serr.	A2-11	8130-40611	8820-38612	8130-38610	8137-38041		8130-38592	8137-38040		2850-40789	2850-40750
9137-38050	380mm	90° serr.	A2-8	8130-40611	8820-38612	8137-38615	2870-26591	CAM16X35	8130-38592	8137-38051		2850-40789	2850-40750
9137-38060	380mm	90° serr.	A2-11	8130-40611	8820-38612	8130-38610	2870-40591	CAM20X35	8130-38592	8137-38060		2850-40789	2850-40750
9137-38070	380mm	60° serr.	A2-11	8130-40624	8820-38625	8130-40623	8130-40590	CAM20X50	8130-40592	2770-38760		2850-40789	2850-40750
9137-38080	380mm	90° serr.	A2-8	8130-31611	8820-31612	8137-38081	2870-26591	CAM16X35	8130-38592	8137-38080		2850-40789	2850-40750
9137-38090	380mm	No detail of source chuck. M100-2 sleeve.											





Chuck no/ Model no.	Size	Type	Mount	Hard Top Jaws (3)	Soft Top Jaws (3)	Base Jaws (set 2)	Tee Nut (each)	Tee Nut Screw	Collet Pad Retainer	Sleeve (threaded)	Sleeve (blank)	Actuator	Lever
------------------------	------	------	-------	----------------------	----------------------	----------------------	-------------------	------------------	------------------------	----------------------	-------------------	----------	-------

**2 JAW CHUCKS:**

(note - sets of 2 soft top jaws & base jaws can be supplied from sets of 3)

9141-31707	165mm	X-Tenon	A2-5	-		8140-17607	-	-		8140-17760		2850-17789	2850-17750
9141-31723	165mm	60° serr.	A2-5	-	8820-17625	8130-17623	8130-17590			8140-17760		2850-17789	2850-17750
9141-32123	210mm	60° serr.	A2-5	-	8820-21625	8140-21623	8130-21590	CAM12X30		8140-21760		2850-21789	2850-21750
9141-41723	165mm	60° serr.	A2-6	-	8820-17625	8130-17623	8130-17590			8140-17760		2850-17789	2850-17750
9141-42107	210mm	X-Tenon	A2-6	-		8140-21607	-	-		8140-21760		2850-21789	2850-21750
9141-42123	210mm	60° serr.	A2-6	-	8820-21625	8140-21623	8130-21590	CAM12X30		8140-21760		2850-21789	2850-21750
9141-42623	254mm	60° serr.	A2-6	-	8820-26625	8140-26623	8130-26590	CAM12X30		8140-26760		2850-26789	2850-26750
9141-42626	254mm	Acme	A2-6	-	-	8140-26626	2749-02417			8140-26760		2850-26789	2850-26750
9141-43107	305mm	X-Tenon	A2-6	-		8140-31607	-	-		8140-31760		2850-31789	2850-31750
9141-43123	305mm	60° serr.	A2-6	-	8820-31625	8140-31623	8130-31590	CAM14X40		8140-31760		2850-31789	2850-31750
9141-52623	254mm	60° serr.	A2-8	-	8820-26625	8140-26623	8130-26590	CAM12X30		8140-26760		2850-26789	2850-26750
9141-52723	265mm	60° serr.	A2-8	-		8140-27623	8130-26590	CAM12X30		8140-27760		2850-26789	2850-26750
9141-53110	305mm	90° serr.	A2-8	-	8820-31612	8140-31610	2870-26591	CAM16X35		8140-31760		2850-31789	2850-31750
9141-53123	305mm	60° serr.	A2-8	-	8820-31625	8140-31623	8130-31590	CAM14X40		8140-31760		2850-31789	2850-31750
9141-53126	305mm	Acme	A2-8	-	-	8140-31626	2749-02417			8140-31760		2850-31789	2850-31750
9147-21000	210mm	90° serr.	A2-6	-	8820-21612	8140-21610	2870-17591	CAM12X30		2760-20760	8140-21760	2850-21789	2850-21750
9147-21010	210mm	90° serr.	A2-6	-	8820-21612	8140-21610	2870-17591	CAM12X30		8147-21010	8140-21760	2850-21789	2850-21750
9147-21020	210mm	90° serr.	A2-5	-	8820-21612	8140-21610	2870-17591	CAM12X30		8147-21020		2850-21789	2850-21750
9147-25000	254mm	60° serr.	A2-8	-	8820-26625	8140-26623	8130-26590	CAM12X30		8147-25000	8140-26760	2850-26789	2850-26750
9147-25010	254mm	X-Tenon	A2-8	-	-	8137-26240	-	-			8140-31760	2850-26789	2850-26750
9147-25020	254mm	60° serr.	A2-8	-	8820-26625	8140-26623	8130-26590	CAM12X30		8147-25021	8140-26760	2850-26789	2850-26750
9147-26000	265mm	60° serr.	A2-8	-	8820-26625	8140-27623	8130-26590	CAM12X30		8147-26001	8140-27760	2850-26789	2850-26750
9147-26010	265mm	60° serr.	A2-8	-	8820-26625	8140-27623	8130-26590	CAM12X30		8147-26001	8140-27760	2850-26789	2850-26750
9147-26020	265mm	90° serr.	A2-8	-	8820-26612	8140-27610	2870-17591	CAM12X30			8140-27760	2850-26789	2850-26750
9147-31000	305mm	90° serr.	A2-8	-	8820-31612	8140-31610	2870-26591	CAM16X35		8147-31000	8140-31760	2850-31789	2850-31750
9147-31010	305mm	90° serr.	A2-8	-	8820-31612	8147-31012	2870-26591	CAM16X35		8147-31011	8140-31760	2850-31789	2850-31750



Chuck no/ Model no.	Size, type, mount & jaw serrations.	Piston	Base Jaws (may be set or single)	Base Jaw Seals ( per set of jaws)	Hard Top Jaws (3)	Soft Top Jaws (3)	Actuator * Assembly	Tee Nut (each)	Tee Nut Screw	Seal Kit (full)
							* see below			
1739-02400	210mm 2 jaw FE A2-6 acme	2739-02402	2749-02404	S50400-2457-5 (1) S50219-1714-5 (2)	n/a		2749-02333	2749-02407	1/2" unc x 1.25"	2749-0240C (acme jaw key = 2749-02405)
1739-02420	305mm 2 jaw FE A2-8 acme	2739-02422	2739-02423	S50400-2459-5 (1) S50219-1716-5 (2)	n/a		2749-02383	2749-02427	5/8"unc x 1.75"	2749-0242C (acme jaw key = 2749-02425)
1749-03340	135mm 3 jaw FE A2-4 90°	2749-03342	2749-03832	S-50400-3142-5 (1) S-50219-1869-5 (3)	8820-13611	8820-13612	2749-03345	2749-03349	CAM8X20	1749-03340SK
1749-02920	165mm 3 jaw FE A2-5 90°	2749-02922	2749-02942	S50400-2591-5 (1) S50219-1745-5 (3)	8130-21611	8820-21612	2749-02925	2870-17591	CAM12X25	2749-0294C
1749-02400	210mm 3 jaw FE A2-6 acme	2749-02402	2749-02409	S50400-2457-5 (1) S50219-1714-5 (3)	7749-22033	7749-22038	2749-02333	2749-02407	1/2" unc x 1.25"	2749-0240C (acme jaw key = 2749-02405)
1749-02450	210mm 3 jaw FE A2-6 90°	2749-02402	2749-02459	S50400-2457-5 (1) S50219-1714-5 (3)	2870-17611	2860-17612	2749-02333	2870-17591	CAM12X25	2749-0240C
1749-03220	210mm 3j FEQC A2-6 90°	2749-02402	2749-03231	-			-	2870-17591	CAM12X25	2749-0322C
1749-03000	210mm 3 jaw FE A2-6 90°	2749-02402	2749-03004	S50400-2457-5 (1) S50219-1714-5 (3)	8130-21611	8820-21612	2749-02333	2870-17591	CAM12X25	2749-0240C
1749-02500	210mm 3j FEQC A2-6 acme	2749-02402	2749-02501	-			-	2749-02407	1/2" unc x 1.25"	2749-0322C (acme jaw key = 2749-02405)
1749-02430	254mm 3jaw FE A2-6 90°	2749-02362	2749-02438	S50400-2458-5 (1) S50219-1715-5 (3)	8130-31611	8820-31612	2749-02364	2870-26591	CAM16X35	2749-0241C
1749-02480	254mm 3 jaw FE A2-8 acme, LARGE BORE	2749-02482	2749-02489	S50400-2459-5 (1) S50219-1714-5 (3)	7749-26043	7749-26047	2749-02487	2749-02417		2749-0248C (acme jaw key = 2749-02415)
1749-02640	254mm 3 jaw FE A2-6 90°	2749-02362	2749-02438	S50400-2458-5 (1) S50219-1715-5 (3)	8130-31611	8820-31612	2749-02364	2870-26591	CAM16X35	2749-0241C
1749-02680	254mm 3 jaw FE A2-6 acme	2749-02362	2749-02419	S50400-2458-5 (1) S50219-1715-5 (3)	7749-26043	7749-26047	2749-02364	2749-02417	1/2" unc x 1.50"	2749-0241C (acme jaw key = 2749-02415)
1749-02410	254mm 3 jaw FE A2-6 acme	2749-02362	2749-02419	S50400-2458-5 (1) S50219-1715-5 (3)	7749-26043	7749-26047	2749-02364	2749-02417	1/2" unc x 1.50"	2749-0241C (acme jaw key = 2749-02415)
1749-02780	254mm 3 jaw FE A2-6 90°	2749-02362	2749-02438	S50400-2458-5 (1) S50219-1715-5 (3)	8130-31611	8820-31612	2749-02364	2870-26591	CAM16X35	2749-0241C
1749-02520	254mm 3j FEQC A2-6 acme	2749-02362	2749-02524	-			-	2749-02417	1/2" unc x 1.50"	2749-0320C (acme jaw key = 2749-02415)
1749-03300										
1749-03450	254mm 3j FEQC A2-6 90°	2749-02362		-				2749-02417	1/2" unc x 1.50"	2749-0320C
1749-02420	305mm 3 jaw FE A2-8 acme	2749-02382	2749-02429	S50400-2459-5 (1) S50219-1716-5 (3)	7749-32053	7749-32056	2749-02383	2749-02427	5/8"unc x 1.75"	2749-0242C (acme jaw key = 2749-02425)
1749-02460										
1749-02440	305mm 3 jaw FE A2-8 90°	2749-02382	2749-02449	S50400-2459-5 (1) S50219-1716-5 (3)	8130-31611	8820-31612	2749-02383	2870-26591	CAM16X35	2749-0242C
1749-02470										
1749-02540	305mm 3j FEQC A2-8 acme	2749-02382	2749-02546	-	7749-32053	7749-32056	-	2749-02427	5/8"unc x 1.75"	2749-0254C (acme jaw key = 2749-02425)
1749-02760	305mm 3 jaw FE A2-8 90°	2749-02382	2749-02449	S50400-2459-5 (1) S50219-1716-5 (3)	8130-31611	8820-31612	2749-02383	2870-26591	CAM16X35	2749-0242C
1749-03650	305mm 3j FEQC A2-8 Square	2749-02382	2749-03650 (single)	-			-	8130-31528	1/2"unc x 1.25"	
1749-03520	400mm 3j FEQC A2-11 acme	2749-03522	2749-03531	-	8130-40632	8140-40533	-	8130-40531	3/4"unc x 1.75"	2749-0352C (acme jaw key = 8130-40530)
3279-00030	28mm F.E.Hyd. Collet chuck A2-4									

\* Comprises 4 components: actuator centre, actuator cap, actuator sleeve and screw.

It is advisable, to maintain accuracy, that these are purchased in sets of 3.



Model	Identifying Features	Size	Piston Cup Packings	GACO Packings	'O' Rings	'O' Rings	'O' Rings	Distributor Valve		
				4 per cylinder	-	-	-	Obsolete		
Pre 1953	External:	3"	Obsolete	1293-01003	-	-	-	Obsolete		
	Brass Distributor Valve.	4.5"	Obsolete	1293-01003	-	-	-	Obsolete		
		6"	2890-16756	1293-01003	-	-	-	Obsolete		
	Internal:	8"	Obsolete	1293-01003	-	-	-	Obsolete		
	Piston Cup Packings	10"	Obsolete	1293-01003	-	-	-	Obsolete		
		12"	Obsolete	1293-01003	-	-	-	Obsolete		
		14"	Obsolete	Obsolete	-	-	-	Obsolete		
		16"	Obsolete	Obsolete	-	-	+	Obsolete		
Post 1953	External:	4.5"	-	1293-01003	Obsolete	Obsolete	Obsolete	Obsolete		
	Brass Distributor Valve	6"	-	1293-01003	Obsolete	Obsolete	Obsolete	Obsolete		
	Internal:	8"	-	1293-01003	Obsolete	Obsolete	Obsolete	Obsolete		
	'O' Rings	10"	-	1293-01003	Obsolete	Obsolete	Obsolete	Obsolete		
			-	(3 per cylinder)						
MK I	Cooling fins & grease nipples on distributor valve.	4.5"	-	1293-01003	Obsolete	Obsolete	Obsolete	Obsolete		
		6"	-	1293-01003	Obsolete	Obsolete	Obsolete	Obsolete		
		8"	-	1293-01003	Obsolete	Obsolete	Obsolete	Obsolete		
		10"	-	1293-01003	Obsolete	Obsolete	Obsolete	Obsolete		
MK II	Flat cylinder head.	3"	1892-10708 }							
	Alloy Distributor Valve.	4.5"	1892-11208 }							
	Coded 1892-xxxx	6"	1892-11608 }		<b>ALL PARTS FOR THESE CYLINDERS ARE OBSOLETE.</b>					
	6 holes in carbon & iron seals.	8"	1892-12110 }							
		10"	1892-12610 }							
	12"	1892-13112 }								
									Carbon	Iron
MK III	( most spares obsolete)	Cyl. Code	Piston	Piston Rod	Ret.Cap	Check Valve	Seal Kit	Static Seal	Dyn. Seal	
	Convex cylinder head.	105mm	1893-11125	2890-10560	2890-10753	2890-10754	2890-11800	2890-11768	2150-05548	2150-05539
	Alloy Distributor Valve.	155mm	1893-11625	2890-15560	2890-10753	2890-10754	2890-11800	2890-16768	2150-05548	2150-05539
	Coded 1893-xxxx	205mm	1893-12130	2890-20560	2890-20753	2890-20754	2890-11800	2890-21768	2150-05548	2150-05539
	3 holes in carbon & iron seals.	255mm	1893-12630	2890-25560	2890-30753	2890-30754	2890-11800	2890-26768	2150-05548	2150-05539
		305mm	1893-13135	2890-30560	2890-30753	2890-30754	2890-11800	2890-31768	2150-05548	2150-05539

OPEN CENTRE HYDRAULIC (Old Design)		
Model	Code No.	Seal Kit
55 / 30	1910-05530	2910-55866
85 / 45	1910-08545	2910-85866
125 / 55	1910-12555	2911-25866
180 / 85	1910-18085	2911-80866
235 / 110	1910-23511	2912-35866

OPEN CENTRE HYDRAULIC (introduced 1989/1990)								
Model	Code No.	Seal Kit	Check Valve (Assy.)	Piston	Dist.Assy			
27 / 70	1910-02707		2910-04235	2910-02704	2910-02720			
42 / 90	1910-04209	2910-04240	2910-04215ASSY	2910-04204	2910-04220			
42 / 90 (T)	1917-42010	2910-04240	2910-04215ASSY	2910-04204	2910-04220			
46 / 75	1910-04680	1910-04680SK	2910-04215ASSY	2910-04604	2910-04620			
46 / 75 (T)	1009-07380		2910-04215ASSY	2910-04604	2910-04620			
52 / 125	1910-05212	2910-05240	2910-05215ASSY	2910-05204	2910-05220			
52 / 125(T)	1917-52010	2910-05240	2910-05215ASSY	2910-05204	2910-05220			
56 / 125	1910-05612	1910-05612SK	2910-06614ASSY	2910-05604	2910-05620			
56 / 125	1910-05680	2910-05640						
66 / 170	1910-06617	2910-06640	2910-06614ASSY	2910-06604	2910-06620			
66 / 170	1910-06680		2910-04215ASSY	2910-06604				
66 / 170(T)	1917-66010	2910-06640	2910-06614ASSY	2910-06604	2910-06620			
77 / 185	1910-07718	2910-07740	2910-06614ASSY	2910-07704	2910-07720			
90 / 210	1910-09021	2910-09040	2910-06614ASSY	2910-09004	2910-09020			
90 / 210 (T)	1917-90000	2910-09040	2910-06614ASSY	2910-09004	2910-09020			
126 / 320	1910-12632		2910-04235	2910-12604	2910-12620			

CLOSED CENTRE HYDRAULIC (1991)		
Model	Code No.	
12 / 70	1912-07018	
12 / 90	1912-09020	
12 / 125	1912-12520	
12 / 170	1912-17023	
12 / 210	1912-21023	

Special note - Cylinders with cat. nos. 190x-xxxxx are TANDEM Air Cylinders.

(T) above denotes Tornado model. Sensors for all above cylinders = DCA12/4309KS



**LEVER OPERATED:**

	LC 7 *	LC 10 *	LC 12 *	LC 15	LC 20	LC 25
<b>(All Mounts)</b>						
Sliding Cone	4020-07420	4020-09420	4020-11420	4020-13420	4020-17420	4020-21420
Actuating Sleeve	4020-07430	4020-07430	4020-11430	4020-11430	4020-17430	4020-17430
Adjusting Cap	4020-07440	4020-09440	4020-11440	4020-13440	4020-17440	4020-21440
Locking Pad (brass)		4020-09507	4020-11507	4020-11507	4020-17507	4020-17507
<b>(NOTE - above item CANNOT be supplied separately. It is a component of the adjusting cap and MUST be purchased with the cap.</b>						
Bronze Pivot Ring	4020-07450	4020-07450	4020-11450	4020-11450	4020-17450	4020-17450
Lock Ring	4020-07460	4020-07460	4020-11460	4020-11460	4020-17460	4020-17460
Lever Arm assembly		4020-07479	4020-13479	4020-13479	4020-21479	4020-21479
<b>(comprising 6 items below)</b>						
Lever Blank	}	4020-07480	4020-11480	4020-11480	4020-17480	4020-17480
Lever Handle	}	4020-07490	4020-11490	4020-11490	4020-17490	4020-17490
Lower Pivot Bolt	}	4020-07495	4020-11495	4020-11495	4020-17495	4020-17495
Upper Pivot Bolt	}	4020-07496	4020-11496	4020-11496	4020-17496	4020-17496
Hinge Bush	}	4020-07497	4020-11497	4020-11497	4020-11497	4020-11497
Hinge Bolt	}	4020-07498	4020-11498	4020-11498	4020-11498	4020-11498
Ball Valve Oiler	ADAMS OILER (All models)					
Ball Bearing (ea)	BALLBRG0.438 (9)	BALLBRG0.438 (9)	BALLBRG0.594 (9)	BALLBRG0.594 (9)	BALLBRG0.594 (9)	BALLBRG0.594 (9)
Helical Spring	SPR-1/8DX1/4L	SPR-1/8DX1/4L				
Plunger	4020-07502	4020-07502				
Release Key	4020-07503	4020-07503	4020-11503	4020-11503	4020-17503	4020-17503
Spanner	4020-07506	4020-07506	4020-11506	4020-11506	4020-17506	4020-17506
Collet Type	E	EA	EB	EC	ED	EE

\* With the exception of the spanner no parts are available for the LC7 & LC10. Spares for LC12 common with the LC15 are still available.

**KEY OPERATED:**

	KC7 †	KC10 †	KC12	KC15	KC20	KC25
<b>(All Mounts)</b>						
Front Cap	4010-07310	4010-09310	4010-11310	4010-13310	4010-17310	4010-21310
Gear Ring	4010-07320	4010-07320	4010-11320	4010-11320	4010-17320	4010-17320
Operating Key	4010-07380	4010-09380	4010-11380	4010-11380	4010-17380	4010-17380
Guide Key	4010-07340	4010-07340	4010-11340	4010-11340	4010-11340	4010-11340
Ball Bearing (ea)	BALLBRG0.250 [30]	BALLBRG0.250 [30]	BALLBRG0.250 [39]	BALLBRG0.250 [39]	BALLBRG0.250 [55]	BALLBRG0.250 [55]
Ball Retaining Plug	4010-07350	4010-07350	4010-11350	4010-11350	4010-17350	4010-17350
End Stop		-		3140-20000	3140-30000	3140-40000
Collet Type	E	EA	EB	EC	ED	EE

All parts for KC & LC chucks are suitable for the rationalized range introduced in 1989, cat. nos. 6010-, 6020-xxxxx etc.

† With the exception of ball bearings, no parts are available for the KC7 & KC10. Parts for KC12 common with KC15 are still available.

**MULTISIZE DRAWTUBE OPERATED COLLET CHUCKS**

**MULTIBORE DRAWTUBE OPERATED COLLET CHUCKS**

**NEW STYLE:**

DC15	DC20	DC25
6100-01300	6100-01700	6100-02100

CDC15	CDC25	CDC30
6200-01300		

Sleeve (Sliding Cone )	5100-13420	5100-17420	5100-21420	5200-13420
Front Cap	5100-13440	5100-17440	5100-21440	5200-13440
Anti-Rotation Pin	5100-13572	5100-13572	5100-13572	5100-13572

**OLD STYLE:**

DC15	DC20	DC25
3100-01300	3100-01700	3100-02100

Sleeve (Sliding Cone )	4100-13420	4100-17420	4200-21420
Front Cap	4100-13440	4100-17440	4200-21440
Anti-Rotation Pin	4100-13572	4100-17572	4100-17572
Collet Type	EC	ED	EE

Please see rear of book for exploded view of KC & LC collet chucks.



All Mounts	PC 10	PC 15 3030-21300	PC 20 3030-21700 3030-31700	PC 25 3030-22100 3030-32100
Sliding Sleeve		4030-13550	4030-17550	4030-17550
Front Cap	No spares	4030-13440	4030-17440	4030-21440
Cylinder	available	4030-13540	4030-17540	4030-17540
Piston		4030-13560	4030-17560	4030-17560
Front Cover Ring		4030-13514	4030-17514	4030-17514
Rear Cover Ring		4030-13515	4030-17515	4030-17515
Ball Cage (ea) 2 per chuck		4030-13580	4030-17580	4030-17580
Ball Bearing (ea)		BALLBRG0.625 ( 48 per chuck )	BALLBRG0.625 ( 58 per chuck )	BALLBRG0.625 ( 58 per chuck )
Guide Pin (ea) 6 per chuck		4030-13526	4030-17526	4030-17526
Anti-Rotation Pin		4030-13572	4030-17572	4030-17572
Locking pad (brass) *		4030-13507	4030-17507	4030-17507
* This item CANNOT be supplied separately. It is a component of the Sliding Sleeve above and MUST be purchased as such.				
Hollow Set Screw		DG0.25UNC0.500	DGM6X16	DGM6X16
Compression Spring (ea) 24 per chuck		SPR-ETS-NO17	-	-
Compression spring no.68 (ea)		SPR-ETS-NO68 ( 24 per chuck )	SPR-ETS-NO68 ( 26 per chuck )	SPR-ETS-NO68 ( 26 per chuck )
Seal Kit (comprises * items below )		4030-13767	4030-17767	4030-17767
' O ' Ring 5 1/8" I/D *		200-251-4460	-	-
' O ' Ring 6 3/4" O/D *		200-260-4470	200-260-4470	200-260-4470
' O ' Ring 3" I/D (2 per chuck) *		200-041-5575		
' O ' Ring 8" I/D *		-	200-265-4470	200-265-4470
' O ' Ring 4 1/8" I/D *		-	200-540-5575	200-540-5575
Rectangular Seal *		219-327-5575	Q4335	Q4335
Bonded seal (ea) 3 per chuck *		400-021-4490-02	400-021-4490-02	400-021-4490-02
Tension Pin				
Disc spring (ea)		DSP28X12.2X1.25 ( 96 per chuck )	DSP34X16.3X2.00 ( 60 per chuck )	DSP34X16.3X2.00 ( 60 per chuck )
End Stop Retaining Ring		SPILOX-RR181	SPILOX-RR231	SPILOX-RR281
S/Sleeve Retaining Ring		SPILOX-RST312	SPILOX-RS433	SPILOX-RS433
Hex.flanged Plug (1/4" BSP)		NO.34/0276/02	NO.34/0276/02	NO.34/0276/02
Stud adaptor ( 1/4" - 1/4" BSP)		ERMETO-M41427	ERMETO-M41427	ERMETO-M41427
Stud adaptor ( 3/8" - 1/4" BSP)		ERMETO-M41430	ERMETO-M41430	ERMETO-M41430
' Y ' spanner		4020-11506	4020-17506	4020-17506
Collet Type	EA	EC/REC	ED/RED	EE/REE

**Accessory Equipment:**

Air Operation

Control Valve	3516-30400
Hydro Pneumatic Intensifier	3523-06401
Lubro Control Unit comprising	
Filter, Regulators(2) & Lubricator.	3531-90000
Packaged set of connectors	3536-10000
Low Pressure Hose (per foot)	3532-10600
Nylon Tube (per foot)	3534-30600
High pressure Hose (per foot)	3532-20400

Hydraulic Operation

Control Valve	3530-30400
Lubro Control Unit comprising	
Lubricator, Filter & Regulator.	3532-90000
Packaged set of connectors	3536-20000
Low Pressure Hose (per foot)	3532-10600

**Please see rear of book for cross-section view of PC collet chuck.**

Collet	Cat.no.	Blades (6)	Springs (6)	Front Ring	Collet	Cat.no.	Blades (6)	Springs (6)	Front Ring
E2	3150-00200	4150-00205	4150-00207	4150-00201	EC11	3150-31100	4150-31105	4150-30207	4150-30201
E3	3150-00300	4150-00305	4150-00207	4150-00201	EC12	3150-31200	4150-31205	4150-30207	4150-30201
E4	3150-00400	4150-00405	4150-00207	4150-00201	EC13	3150-31300	4150-31305	4150-30207	4150-30201
E5	3150-00500	4150-00505	4150-00207	4150-00201					
E6	3150-00600	4150-00605	4150-00207	4150-00201	ED4	3150-40400	4150-40405	4150-40407	4150-40401
E7	3150-00700	4150-00705	4150-00207	4150-00201	ED5	3150-40500	4150-40505	4150-40407	4150-40401
					ED6	3150-40600	4150-40605	4150-40407	4150-40401
EA2	3150-10200	4150-10205	4150-10207	4150-10201	ED7	3150-40700	4150-40705	4150-40407	4150-40401
EA3	3150-10300	4150-10305	4150-10207	4150-10201	ED8	3150-40800	4150-40805	4150-40407	4150-40401
EA4	3150-10400	4150-10405	4150-10207	4150-10201	ED9	3150-40900	4150-40905	4150-40407	4150-40401
EA5	3150-10500	4150-10505	4150-10207	4150-10201	ED10	3150-41000	4150-41005	4150-40407	4150-40401
EA6	3150-10600	4150-10605	4150-10207	4150-10201	ED11	3150-41100	4150-41105	4150-40407	4150-40401
EA7	3150-10700	4150-10705	4150-10207	4150-10201	ED12	3150-41200	4150-41205	4150-40407	4150-40401
EA8	3150-10800	4150-10805	4150-10207	4150-10201	ED13	3150-41300	4150-41305	4150-40407	4150-40401
EA9	3150-10900	4150-10905	4150-10207	4150-10201	ED14	3150-41400	4150-41405	4150-40407	4150-40401
					ED15	3150-41500	4150-41505	4150-40407	4150-40401
EB2	3150-20200	4150-20205	4150-20207	4150-20201	ED16	3150-41600	4150-41605	4150-40407	4150-40401
EB3	3150-20300	4150-20305	4150-20207	4150-20201	ED17	3150-41700	4150-41705	4150-40407	4150-40401
EB4	3150-20400	4150-20405	4150-20207	4150-20201					
EB5	3150-20500	4150-20505	4150-20207	4150-20201	EE6	3150-50600	4150-50605	4150-50607	4150-40501
EB6	3150-20600	4150-20605	4150-20207	4150-20201	EE7	3150-50700	4150-50705	4150-50607	4150-40501
EB7	3150-20700	4150-20705	4150-20207	4150-20201	EE8	3150-50800	4150-50805	4150-50607	4150-40501
EB8	3150-20800	4150-20805	4150-20207	4150-20201	EE9	3150-50900	4150-50905	4150-50607	4150-40501
EB9	3150-20900	4150-20905	4150-20207	4150-20201	EE10	3150-51000	4150-51005	4150-50607	4150-40501
EB10	3150-21000	4150-21005	4150-20207	4150-20201	EE11	3150-51100	4150-51105	4150-50607	4150-40501
EB11	3150-21100	4150-21105	4150-20207	4150-20201	EE12	3150-51200	4150-51205	4150-50607	4150-40501
					EE13	3150-51300	4150-51305	4150-50607	4150-40501
EC2	3150-30200	4150-30205	4150-30207	4150-30201	EE14	3150-51400	4150-51405	4150-50607	4150-40501
EC3	3150-30300	4150-30305	4150-30207	4150-30201	EE15	3150-51500	4150-51505	4150-50607	4150-40501
EC4	3150-30400	4150-30405	4150-30207	4150-30201	EE16	3150-51600	4150-51605	4150-50607	4150-40501
EC5	3150-30500	4150-30505	4150-30207	4150-30201	EE17	3150-51700	4150-51705	4150-50607	4150-40501
EC6	3150-30600	4150-30605	4150-30207	4150-30201	EE18	3150-51800	4150-51805	4150-50607	4150-40501
EC7	3150-30700	4150-30705	4150-30207	4150-30201	EE19	3150-51900	4150-51905	4150-50607	4150-40501
EC8	3150-30800	4150-30805	4150-30207	4150-30201	EE20	3150-52000	4150-52005	4150-50607	4150-40501
EC9	3150-30900	4150-30905	4150-30207	4150-30201	EE21	3150-52100	4150-52105	4150-50607	4150-40501
EC10	3150-31000	4150-31005	4150-30207	4150-30201					

NOTE - COLLET SPARES DISCONTINUED MARCH 1993.





Toolpost set type:	S00 (Boxford)	S00 (Myford)	S0	S1	S1/X	S2	S2/T	S3	S3/X	S4	S5
--------------------	------------------	-----------------	----	----	------	----	------	----	------	----	----

Cat. No (set)	S100D0011	S100D0012	S110D0015	S111D0001	S111D0011	S112D0001	S112D0011	S113D0001	S113D0019	S114D0013	S115D0000
---------------	-----------	-----------	-----------	-----------	-----------	-----------	-----------	-----------	-----------	-----------	-----------

Please note - all the catalogue numbers for Toolholders below are for ASSEMBLIES.

Body Assembly	A100D0011	A100D0000	A110D0007	A111D0001	A111D0003	A112D0000	A112D0002	A113D0001	A113D0019	A114D0000	A115D0000
Standard Toolholder assembly	T100D0141	T100D0141	T110D0143	T111D0141	T111D0141	T112D0141	T112D0143	T113D0141	T113D0141	T114D0143	T115D0140
Extended Standard Toolholder				T111D0201	T111D0201		T112D0202	T113D0201	T113D0201	-	
Boring Bar ('v' Toolholder)	T100D0151	T100D0151	T110D0153	T111D0151	T111D0151	T112D0151	T112D0153	T113D0151	T113D0151	T114D0151	T115D0150
Morse Taper Toolholder (1MT)			T110D0161	T111D0161	T111D0161						
Morse Taper Toolholder (2MT)						T112D0161	T112D0161				
Morse Taper Toolholder (3MT)						T112D0167	T112D0167	T113D0161	T113D0161		
Morse Taper Toolholder (4MT)						T112SK832				T114D0161	
Extended Morse Taper Holder						T112D0167		T113D0167			
Plain Bore Toolholder (8 mm)						T112SK856					
Plain Bore Toolholder (10 mm)						T112SK855					
Plain Bore Toolholder (12 mm)						T112SK854					
Plain Bore Toolholder (16 mm)						T112SK853					
Plain Bore Toolholder (20mm)						T112SK852		T113SK858			
Plain Bore Toolholder (25mm)				T111D0181		T112SK863		T113D0184			
Plain Bore Toolholder (32mm)						T112D0181	T112D0181	T113SK788			
Plain Bore Toolholder (40mm)								T113D0181	T113D0181	T114D0185	
Plain Bore Toolholder (50mm)										T114D0181	
Plain Bore Toolholder (54mm)										T114D0187	T115D0180
Plain Toolholder (to bore out)								T113D0183			
Parting Off Toolholder	T100D0171	T100D0171	T110D0171	T111D0171	T111D0171	T112D0171	T112D0171	T113D0171	T113D0171		
Knurling Toolholder				T111D0301	T111D0301	T112D0301	T112D0301	T113D0301	T113D0301		

Spares for above:

Clamp Pad	D100D0015	D100D0015	D111D0015	D111D0015	D111D0015	D112D0015	D112D0016	D113D0015	D113D0015	D114D0015	D115D0015
Clamp Bolt	D100D0010	D100D0010	D111D0010	D111D0010	D111D0010	D112D0010	D112D0011	D113D0010	D113D0010	D114D0010	D115D0010
Spring	B210D0000	B210D0000	B210D0001	B210D0001	B210D0001	B210D0002	B210D0002	B210D0003	B210D0003	B210D0004	
Allen Key	B403D1001	B403D1001	B403D1001	-	-	-	-	-	-	-	
Square Key (female)	-	-	-	A111D0071	A111D0071	A112D0071	A112D0071	A113D0071	A113D0071	A114D0071	
Hex. Wrench (female)	D100D0030	D100D0030	D111D0030	D111D0030	D111D0030	D112D0030	D112D0030	D113D0030	D113D0030	D114D0030	D115D0030
Flange Washer	D100D0021	D100D0021	D111D0020	D111D0020	D111D0020	D112D0020	D112D0020	D113D0020	D113D0020	D114D0020	D115D0020
Location Pin	-	-	D110D0026	D111D0026	D111D0028	D112D0025	D112D0025	D113D0026	D113D0028	D114D0025	D115D0025
Location Ring	-	-	D110D0035	D111D0021	D111D0022	-	-	-	-	-	
Tool Screw, metric (4 off)	CAM5X16	CAM5X16	FLM8X20	B165D5000	B165D5000	B165D5001	B165D5001	B165D5002	B165D5002	B165D5004	
Stop Screw, metric (1 off)	CAM5X20	CAM5X20	B162D2051	B165D5000	B165D5000	B165D5001	B165D5001	B165D5002	B165D5002	B165D5004	
Stud	CPM5X30	CPM5X30	B162D2052	B111D0111	B111D0111	B112D0111	B112D0111	B113D0111	B113D0111	B114D0111	
Stop (Metric)	D100D0101	D100D0101	D110D0101	D111D0101	D111D0101	D112D0101	D112D0101	D113D0101	D113D0101	D114D0101	
Clamping Strip	D100D0175	D100D0175	D100D0175	D111D0174	D111D0174	D112D0174	D112D0174	D113D0174	D113D0174	-	
Parting off Blade	B403D1001	B403D1001	B408D0001	B408D0002	B408D0002	B408D0003	B408D0003	B408D0003	B408D0003	B408D0003	
Knurl (right hand)						B409D0000	B409D0000	B409D0000	B409D0000		
Knurl (left hand)						B409D0001	B409D0001	B409D0001	B409D0001		
Torsion Spring				D111D0370	D111D0370	D111D0370	D111D0370	D111D0370	D111D0370		
Upper Arm				D111D0320	D111D0320	D112D0320	D112D0320	D113D0320	D113D0320		
Lower Arm				D111D0330	D111D0330	D112D0330	D112D0330	D113D0330	D113D0330		
Spacer				D111D0360	D111D0360	D111D0360	D111D0360	D111D0360	D111D0360		

Set type:	S00	S00	S0	S1	S1/X	S2	S2/T	S3	S3/X	S4	S5
-----------	-----	-----	----	----	------	----	------	----	------	----	----

**CAMLOCK STUDS (unf) & SCREWS**

Camlock Studs (unf)		Camlock Stud Screws	
	Diameter	Cat.no.	Cat.no.
D1-2	7/16"	2550-12403	
D1-3	9/16"	2550-16403	CA0.250UNC0.500
D1-4	5/8"	2550-21403	CA0.250UNC0.500
D1-5	3/4"	2550-26403	CA0.250UNC0.500
D1-6	7/8"	2550-31403	CA0.313UNC0.625
D1-8	1"	2550-40403	CA0.313UNC0.625
D1-11	1 3/16"	2550-51403	CA0.313UNC0.625
D1-15	1 3/8"	2550-76403	
D1-20	1 5/8"	2550-93403	

**CAMLOCK STUDS (METRIC) & SCREWS**

Camlock Studs (Metric)		Camlock Stud Screws	
	Diameter	Cat.no.	Cat.no.
D1-2	7/16"		
D1-3	9/16"	2550-16403M	CAM6 X 12
D1-4	5/8"	2550-21403M	CAM6 X 12
D1-5	3/4"	2550-26403M	CAM6 X 12
D1-6	7/8"	2550-31403M	CAM8 X 16
D1-8	1"	2550-40403M	CAM8 X 16
D1-11	1 3/16"	2550-51403M	CAM8 X 16
D1-15	1 3/8"	2550-76403M	CAM8 X 16
D1-20	1 5/8"		

**DIN STUDS & NUTS**

	Studs	Nuts
DIN 3	2550-16404	2550-26402
DIN 4	2550-21404	2550-26402
DIN 5	2550-26404	2550-26402
DIN 6	2550-31404	2550-31402
DIN 8	2550-40404	2550-40402
DIN 11	2550-51404	2550-51402
DIN 15	2550-71404	2550-51402

**CAMLOCK to DIN conversion studs**

D1-8 to DIN 8	7000-00030
D1-11 to DIN 11	7000-00031

**DYNAMIC GRIPMETER & SPARES**

Manf. 1979-1991

Gripmeter (now superseded)	1009-05220
Small Ext. Pins (set 3)	1009-05221
Large Ext. Pins (set 3)	1009-05222
Small Carrier Ring	1009-05223
Large Carrier Ring	1009-05224
Connecting Cable	1009-05225
2-jaw Adaptor	1009-05226
(Battery type PP9 9volt)	

**OPTOCOUPLED GRIPMETER MK I**

Manf. 1990-1996

GRIPMETER	1009-06490
Extension Ring 100mm (3 jaw)	1009-06510
Extension Ring 160mm (3 jaw)	1009-06520
Extension Ring 100mm (2 jaw)	1009-06540
Extension Ring 160mm (2 jaw)	1009-06550
2-jaw Protection Ring	2009-06498ASSY
3-jaw Protection Ring	2009-06492ASSY
GRIPMETER KIT	1009-06560
(comprises Gripmeter, 2-jaw protection ring, spare 3-jaw protection ring and all extension pins).	
Link lead (black)	LINKLEADS

**OPTOCOUPLED GRIPMETER MK II**

Manf. 1996-2000

GRIPMETER	1009-06910
GRIPMETER KIT	1009-06920
(spares as MK I) except:	
Link lead (grey)	n/c
Charger	CHARGER-EURO/UK/USA

Please note that rechargeable batteries on optocoupled gripmeters cannot be replaced without the unit being recalibrated. There are NO user-serviceable parts (including the battery) in the optocoupled gripmeter.

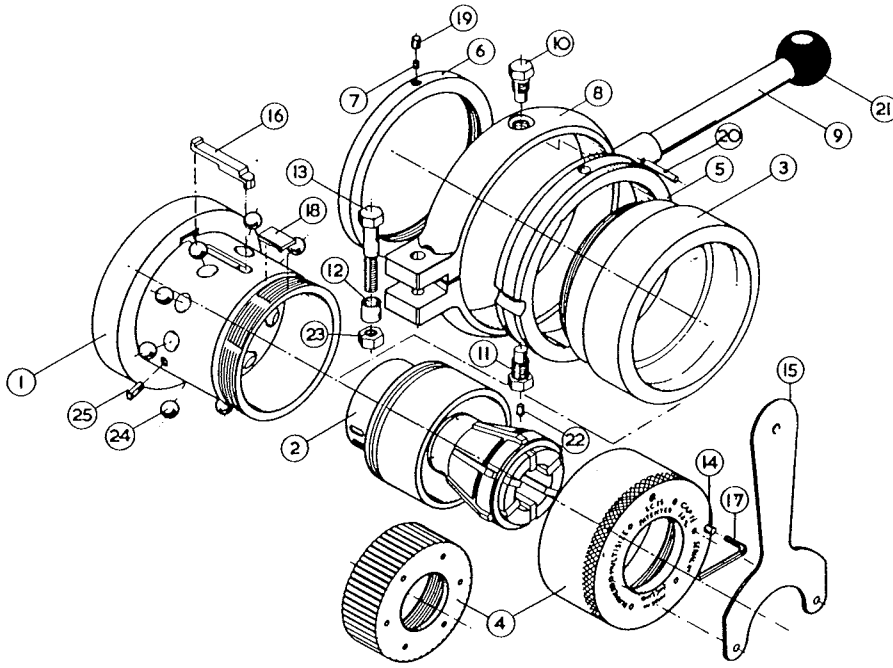
**RF GRIPMETER & SPARES**

Manf. 2000-

GRIPMETER	1009-07210
GRIPMETER KIT	1009-07360
RFG Loadcell	1009-07210
RFG Handset	1009-73000
Protection Ring, 3 jaw	2009-06492ASSY
Extension Ring, 3 jaw	2009-06510
Extension Ring, 2 jaw	2009-06540
Extension Pins 100mm dia. (x3)	2009-06511
Extension Pins 160mm dia. (x3)	2009-06520
Magnet	2009-73002
Carrying Case	PLASCASE-NPR6
Lithium Battery	BATTERY 596-624



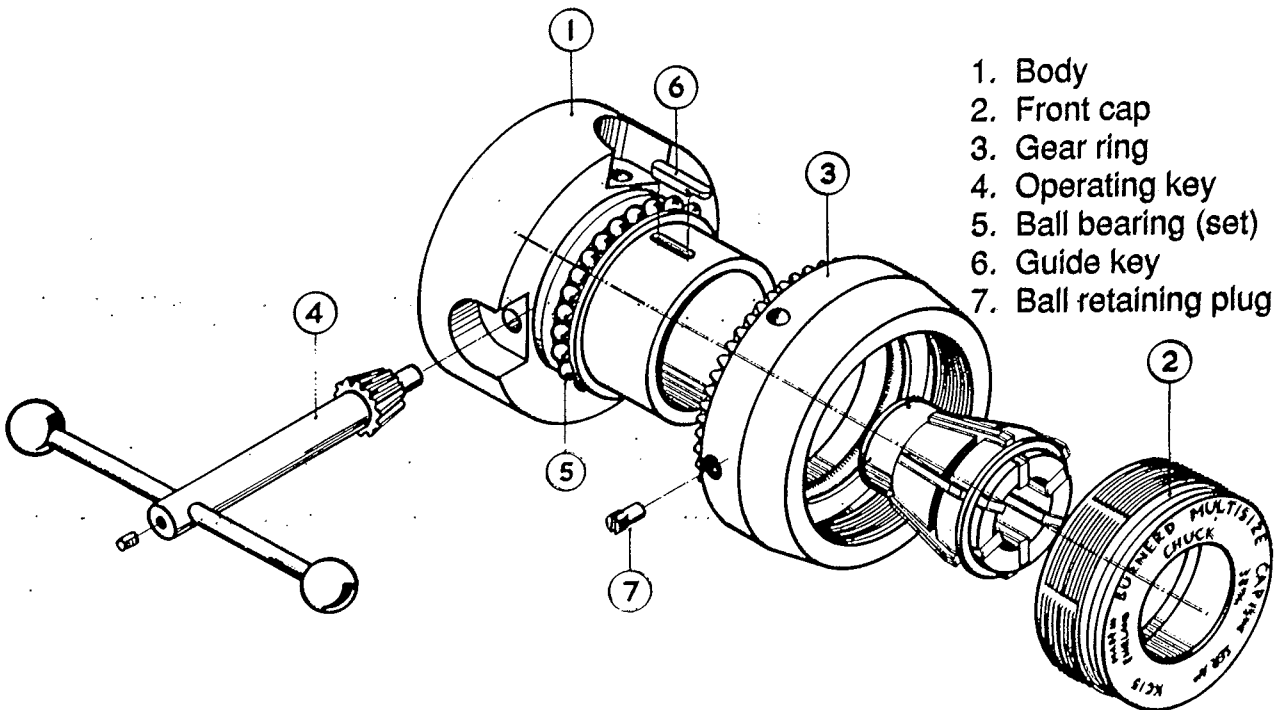
**LC Multisize Chuck Parts (common to all models)**



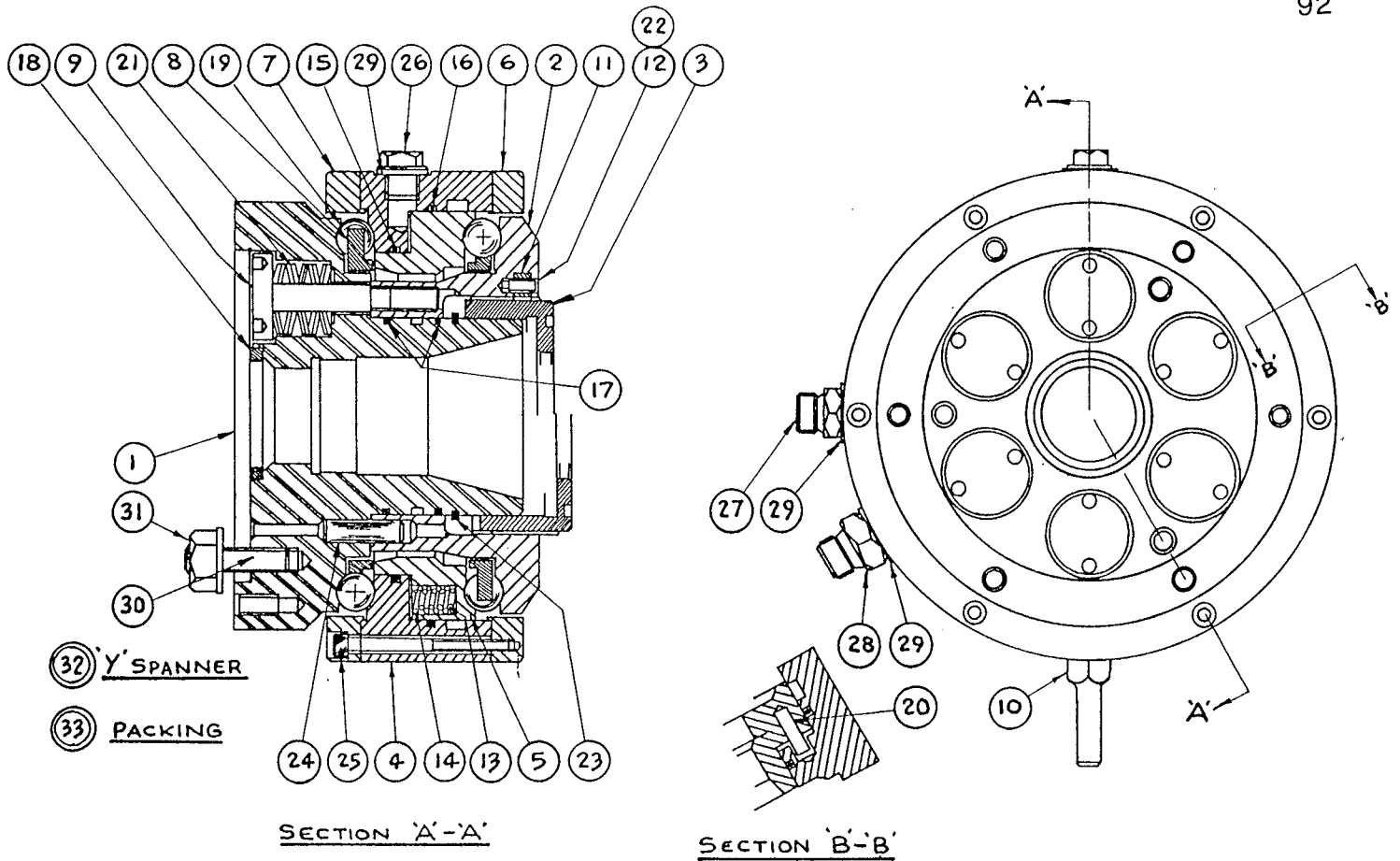
- 1. Body
- 2. Sliding cone
- 3. Actuating sleeve
- 4. Adjusting cap
- 5. Bronze pivot ring
- 6. Lock ring
- 7. Pad
- 8. Lever blank
- 9. Lever handle (or yoke)
- 10. Lower pivot bolt
- 11. Upper pivot bolt
- 12. Hinge bush
- 13. Hinge bolt (hex. set-screw)
- 14. Set screw (flat point)
- 15. Spanner
- 16. Release key
- 17. Allen key (1/8" a/f)
- 18. Locking pad (brass) †
- 19. Set screw (cup point)
- 20. Grooved pin
- 21. Plastic knob
- 22. Ball valve oiler
- 23. Aerotight nut
- 24. Ball bearing (19/32")
- 25. Set screw (dog point)

† Only available as part of the adjusting cap. Not available separately.

**KC Multisize Chuck Parts (common to all models)**



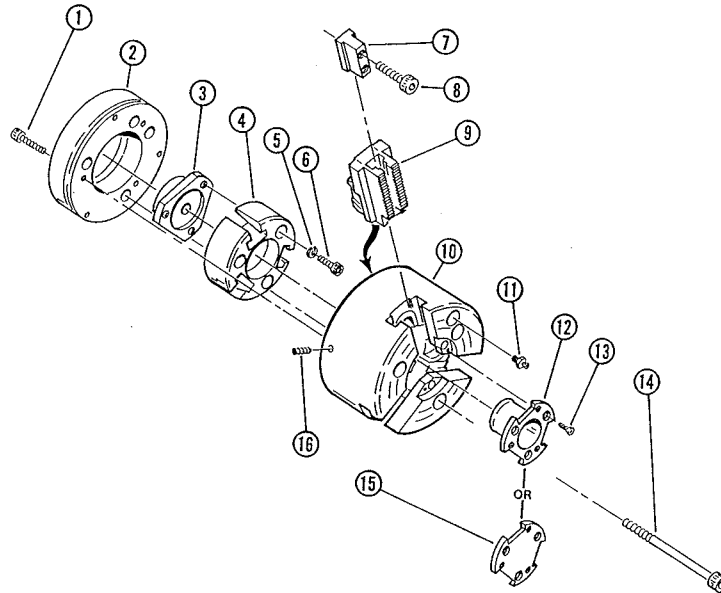
- 1. Body
- 2. Front cap
- 3. Gear ring
- 4. Operating key
- 5. Ball bearing (set)
- 6. Guide key
- 7. Ball retaining plug



## MULTISIZE (PC) & MULTIBORE (CPC) POWER CHUCK, BS Mount.

- |  |                                       |
|--|---------------------------------------|
| 1. Body  | 19. Steel ball bearings               |
| 2. Sliding sleeve  | 20. Tension pin                       |
| 3. Front cap   | 21. Disc springs                      |
| 4. Cylinder  | 22. Hexagonal wrench                  |
| 5. Piston  | 23. Spirolox retaining ring           |
| 6. Front cover ring  | 24. Dowel                             |
| 7. Rear cover ring   | 25. Cap. screws                       |
| 8. Cage and ball assembly  | 26. Hexagonal flanged plug            |
| 9. Guide pin   | 27. Stud adaptor                      |
| 10. Anti-rotation pin  | 28. Stud adaptor                      |
| 11. Locking pad (brass). Note -<br>This item CANNOT be supplied<br>separately. It is a component of<br>the sliding sleeve (item 2) and<br>MUST be purchased as such. | 29. Bonded seal                       |
| 12. Hollow set-screw   | 30. Mounting stud                     |
| 13. Compression spring   | 31. Collar nut                        |
| 14. Compression spring   | 32. 'Y' spanner (To remove front cap) |
| 15. 'O' ring   | 33. Packing                           |
| 16. 'O' ring   |                                       |
| 17. 'O' ring   |                                       |
| 18. (Dowty 'H' section seal on PC15)<br>(Quadring seal on PC20/25)   |                                       |

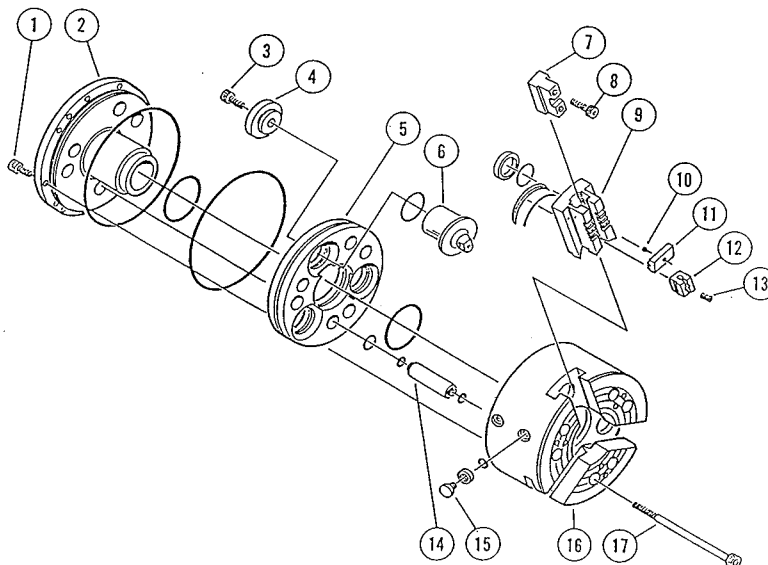
# INTERNATIONAL POWER CHUCK ( 9821- series, and 1870- series with exception of setrite adj. screws)



- |                                |                                  |
|--------------------------------|----------------------------------|
| 1. Screw, socket head          | 9. Base Jaw                      |
| 2. Adaptor                     | 10. Chuck body                   |
| 3. Drawtube connector          | 11. Grease nipple                |
| 4. Sleeve                      | 12. Pilot bush                   |
| 5. Spring washer               | 13. Screw, countersunk           |
| 6. Screw, socket head          | 14. Chuck mounting screw         |
| 7. Tee nut **                  | 15. Cover plate                  |
| 8. Tee nut screw (socket head) | 16. Setrite adj.screw, dog point |

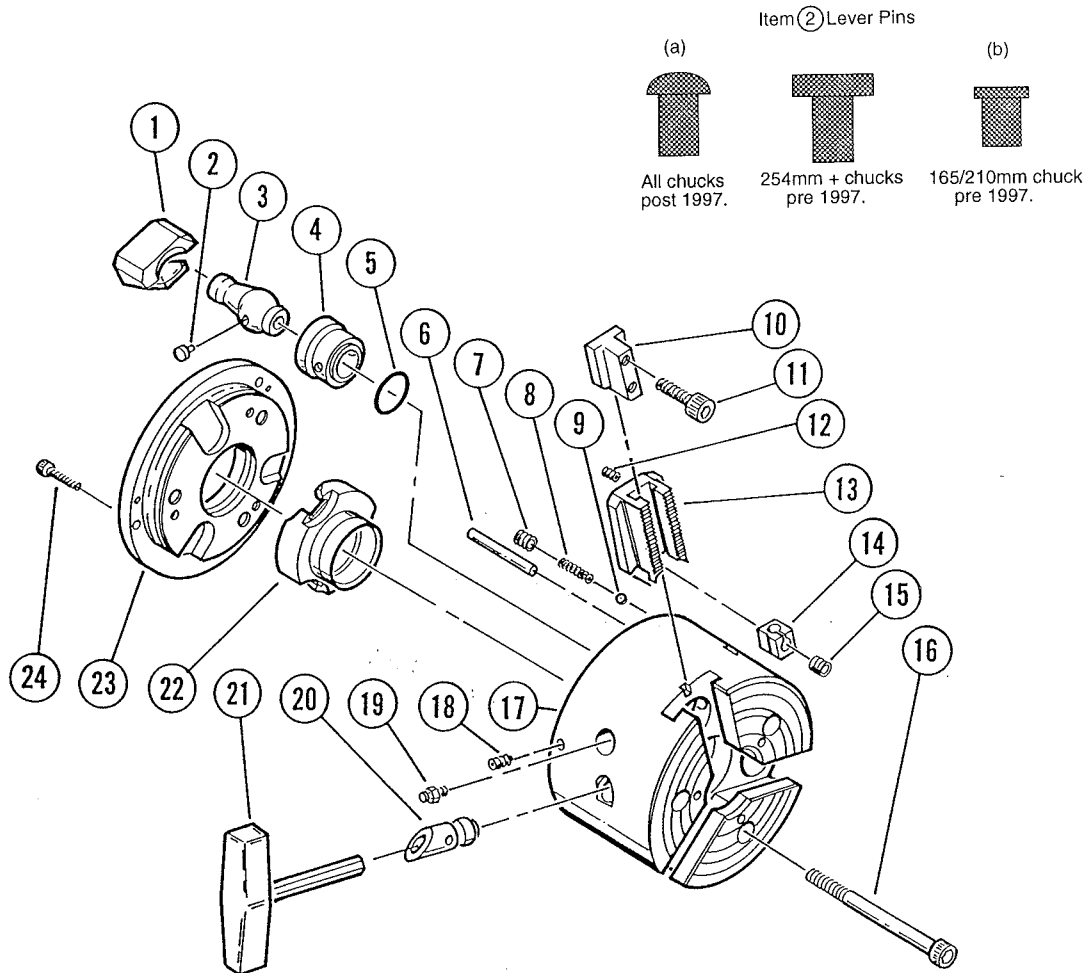
\*\* Note - double tee-nuts (3 per chuck) on old design 1870- series;  
single tee-nuts (6 per chuck on current design 9821- series)

## FRONT-END HYDRAULIC POWER CHUCK (1749-xxxxx) (showing acme pattern base jaws)



- |   |                          |
|---|--------------------------|
| 1. Backbody retaining screw                                 | 10. Screw for acme key   |
| 2. Back body  | 11. Acme jaw key         |
| 3. Actuator screw   | 12. Collet pad retainer  |
| 4. Actuator cap   | 13. Pressure plug        |
| 5. Piston   | 14. Body spacer          |
| 6. Actuator assembly (4 components)                         | 15. Test port plug       |
| 7. Tee nut ** and 8. Tee nut screw                          | 16. Chuck body           |
| 9. Base jaw (may be serrated 90°, acme or square serrated). | 17. Chuck mounting screw |

\*\* Note - May be of single or double style (3 or 6 per chuck)

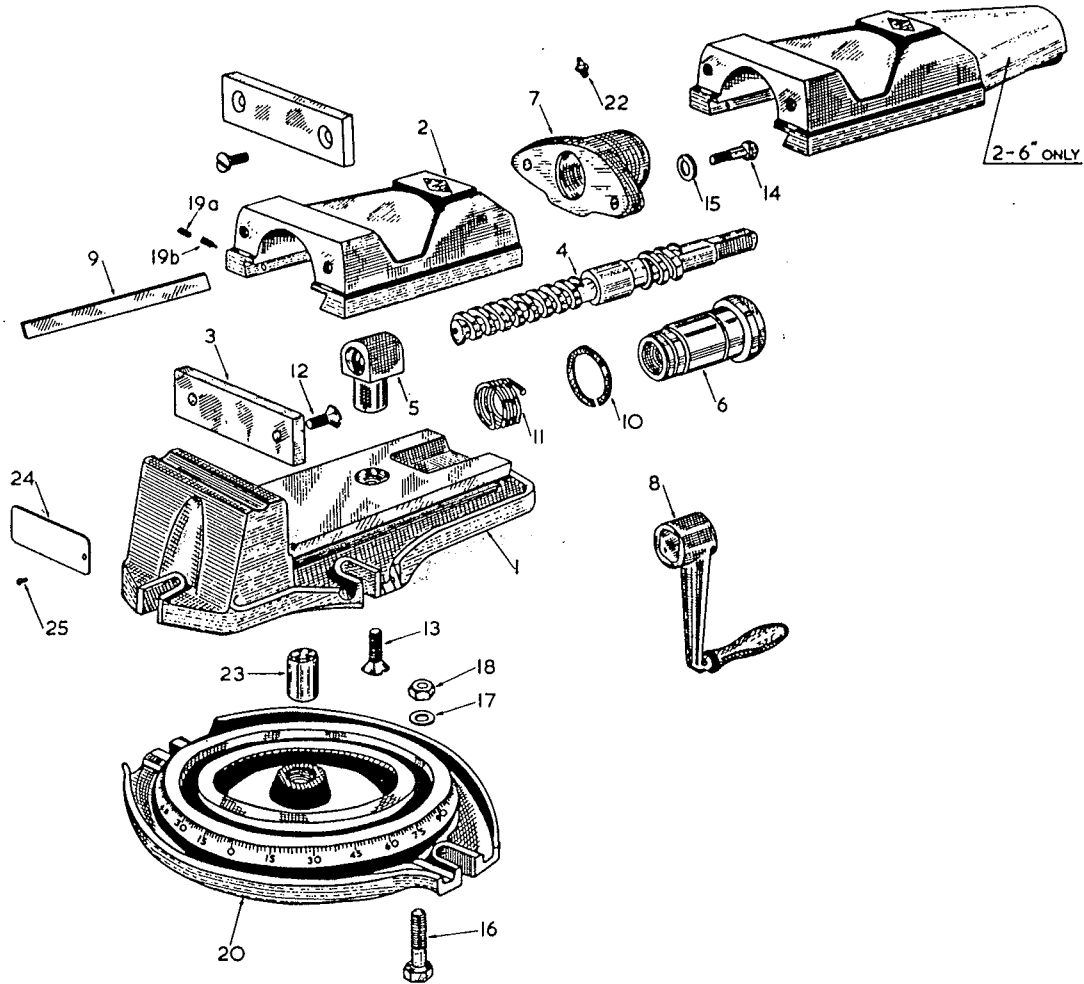


## HIGH SPEED QUICKCHANGE POWER CHUCK (9131- and 9121-) (also old style 1850- series).

- |                                       |   |
|---------------------------------------|---|
| 1. Actuator                           | 13. Base jaw.                                 |
| 2. Lever Pin (see note below). * *    | 14. Collet pad retainer.                      |
| 3. Lever.                             | 15. Pressure plug.                            |
| 4. Body Bushing (see note below). * * | 16. Chuck mounting screw.                     |
| 5. Socket 'O' Ring.                   | 17. Chuck body.                               |
| 6. Tapped dowel.                      | 18. Setrite adjusting screw, dog point (unf). |
| 7. Socket set screw, flat point.      | 19. Grease nipple.                            |
| 8. Compression spring.                | 20. Hand release pin.                         |
| 9. Ball bearing.                      | 21. Release key.                              |
| 10. Tee nut (see note below). *       | 22. Sleeve (may be blank or threaded).        |
| 11. Tee nut screw.                    | 23. Back body adaptor.                        |
| 12. Jaw locating screw.               | 24. Back body screw.                          |

\* Double tee-nuts (3 per chuck) on old design 1850- series.  
Single tee-nuts (6 per chuck) on 9131- and 9121- series.

\* \* There are 3 types of lever pins, dependent upon size of chuck and date of manufacture. To avoid misfitting it is advisable that the round-head (type a) is supplied with ALL new body bushings (the key-way of which was also redesigned in 1997). From this date one lever pin only has been made, common to ALL sizes of HSQC (2870-26787). Type (a) is also a suitable replacement for type (b).



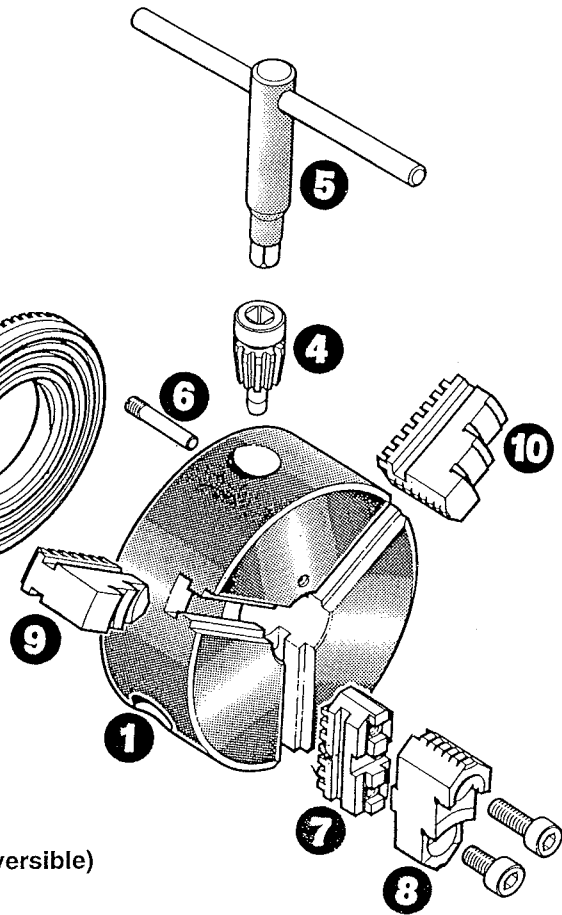
## HYLO 2 SPEED MACHINE VICE (sizes 4.5", 6" and 8" only)

- |                            |                            |
|----------------------------|----------------------------|
| 1. Base casting            | 14. Thrust bracket screw   |
| 2. Moving jaw              | 15. Plain washer           |
| 3. Jawplate                | 16. Swivel base screw      |
| 4. Shaft                   | 17. Swivel base washer     |
| 5. Primary nut(bronze)     | 18. Swivel base nut        |
| 6. Secondary nut (bronze)  | 19a. Set screw (dog point) |
| 7. Thrust bracket          | 19b. Set screw (cup point) |
| 8. Handle                  | 20. Swivel base            |
| 9. Gib strip               | 22. Grease nipple          |
| 10. Circlip                | 23. Dowel                  |
| 11. Spring                 | 24. Nameplate              |
| 12. Jawplate screw         | 25. Nameplate rivet        |
| 13. Screw for primary unit |                            |



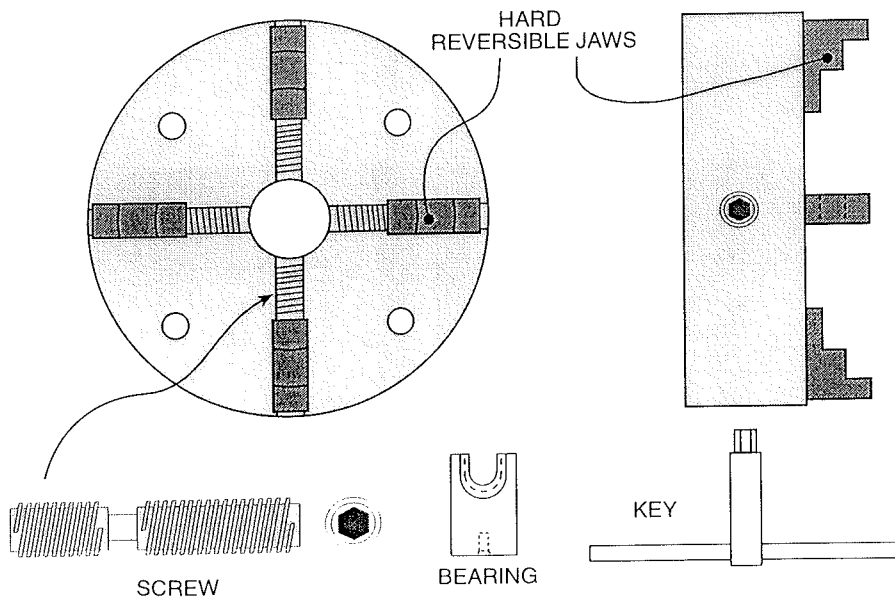
### SELF CENTRING (SCROLL) CHUCK EXPLODED VIEW

- |                   |   |
|-------------------|---|
| 1 Chuck body      | 6 Pinion retainer                       |
| 2 Scroll          | 7 Base jaw (cross-tenon)                |
| 3 Retaining plate | 8 Hard top jaw (cross-tenon reversible) |
| 4 Pinion          | 9 Outside jaw                           |
| 5 Key             | 10 Inside jaw                           |



Soft blank jaws (to fit on scroll) and soft top jaws (cross-tenon reversible) are also available.

### INDEPENDENT 4 JAW CHUCK



While independent chucks are most commonly fitted with hard reversible jaws, note that they may have soft blank jaws or two-piece jaws (base and hard top) fitted as standard.

Bearings are, in most chucks, also retained by a screw or bearing clip.