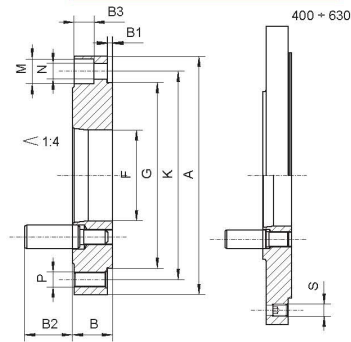


**Type 8240-X
DIN 55029**

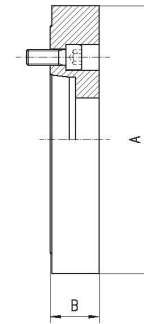
**FULLY-FINISHED
ADAPTER PLATES**



Code No.	Size [mm]	A mm	Short taper	B	B1	B2	F	G (H4)	K	M	N	P	S	kg
358245122900	125	125	4	26,0	3,5	32,2	60,0	95	108	3x13,5	3x8,4	6xM8	-	1,560
358245032000	160	160	3	27,0	3,5	30,8	51,4	95	108	3x13,5	3x8,4	6xM8	-	3,070
358245132000	160	160	4	27,0	3,5	32,2	60,0	95	108	3x13,5	3x8,4	6xM8	-	2,911
358245232100	160	160	5	30,0	3,5	38,2	79,5	95	108	3x13,5	3x8,4	6xM8	-	2,962
358245235000	180	180	5	30,0	3,5	38,2	79,5	145	160	3x16,5	3x10,5	6xM10	-	4,159
358245042100	200	200	3	27,0	3,5	30,8	51,4	160	176	6x16,5	6x10,5	6xM10	-	5,077
358245142200	200	200	4	27,0	3,5	32,8	60,0	160	176	6x16,5	6x10,5	6xM10	-	4,944
358245242300	200	200	5	30,0	3,5	38,2	79,5	160	176	6x16,5	6x10,5	6xM10	-	4,745
358245342400	200	200	6	36,5	3,5	44,2	103,0	160	176	6x16,5	6x10,5	6xM10	-	5,940
358245245100	230	230	5	30,0	4,5	38,2	79,5	191	208	3x19,0	3x13	6xM12	-	6,876
358245345200	230	230	6	36,5	4,5	44,2	103,0	191	208	3x19,0	3x13	6xM12	-	7,502
358245252500	250	250	5	30,0	4,5	38,2	79,5	200	224	6x19,0	6x13	6xM12	-	8,605
358245352600	250	250	6	36,5	4,5	44,2	103,0	200	224	6x19,0	6x13	6xM12	-	8,724
358245452700	250	250	8	39,0	4,5	50,7	136,1	200	224	6x19,0	6x13	6xM12	-	9,393
358245355400	270	270	6	36,5	4,5	44,2	103,0	228	246	3x19,0	3x13	6xM12	-	10,436
358245455500	270	270	8	39,0	4,5	50,7	136,1	228	246	3x19,0	3x13	6xM12	-	10,528
358245562000	315	315	6	39,0	4,5	44,2	103,0	260	286	6x25,0	6x17	6xM16	-	17,376
358245362800	315	315	8	39,0	4,5	50,7	136,1	260	286	6x25,0	6x17	6xM16	-	15,936
358245462900	315	315	11	47,0	4,5	60,6	192,8	260	286	6x25,0	6x17	6xM16	-	16,304
358245472000	400	400	8	39,0	4,5	50,7	136,1	330	362	6x25,0	6x17	6xM16	3xM16	27,353
358245572100	400	400	11	47,0	4,5	60,6	192,8	330	362	6x25,0	6x17	6xM16	3xM16	27,431
358245476100	450	450	8	40,0	4,5	50,7	136,1	386	415	6x25,0	6x17	6xM16	3xM16	39,627
358245478700	450	450	11	47,0	4,5	60,6	192,8	386	415	6x25,0	6x17	6xM16	3xM16	42,840
358245482200	500	500	8	39,0	4,5	50,7	136,1	420	458	6x25,0	6x17	6xM16	3xM16	45,405
358245582300	500	500	11	47,0	4,5	60,6	192,8	420	458	6x25,0	6x17	6xM16	3xM16	44,531
358245602000	630	630	11	47,0	6,0	60,6	192,8	545	586	6x25,0	6x17	6xM16	3xM16	74,480
358245642700	630	630	15	50,0	6,0	69,6	281,4	545	586	6x25,0	6x17	6xM16	3xM16	70,339

**Type 8212
DIN 55026**

**SEMI-MACHINED
ADAPTER PLATES**



- Cast-iron adapters for plain back self-centering and independent chucks
- Rough on the chuck side (for mounting instructions, see the chuck operations manual)

Code No.	Size [mm]	Short taper 1:4	A mm	B mm	kg
358212030800	100	3	102	18,0	1,8
358212040000	125	3	127	19,5	2,4
358212050100	125	4	127	19,5	2,4
358212060300	160	3	162	-	4,2
358212070500	160	4	162	24,0	4,2
358212080700	160	5	162	24,0	4,2
358212100300	200	4	203	-	12,0
358212110500	200	5	203	38,0	12,0
358212120700	200	6	203	33,0	12,0
358212150200	250	5	253	33,0	16,0
358212160400	250	6	253	50,0	16,0
358212170600	250	8	253	46,0	16,0
358212200400	315	6	318	33,0	22,0
358212210600	315	8	318	55,0	22,0
358212220800	315	11	318	55,0	22,0
358212250300	400	8	405	43,0	42,0
358212260500	400	11	405	75,0	42,0
358212300500	500	8	505	45,0	72,0
358212310700	500	11	505	45,0	72,0
358212350400	630	11	635	45,0	105,0
358212360600	630	15	635	56,0	105,0
358212380000	800	11	385	45,0	130,0
358212390100	800	15	408	45,0	130,0

- 1
- 2
- 3
- 4
- 5
- 6