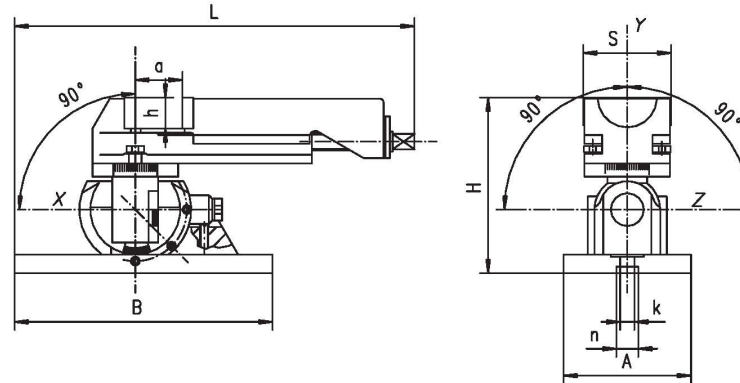
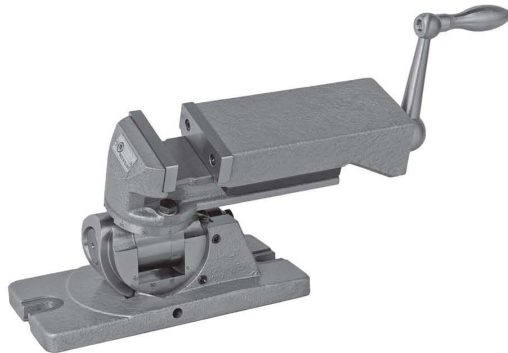


1
2
3
4
5
6

Type 6534

THREE ANGLE MULTI-PURPOSE MACHINE VISE



Features:

- Surfaces not parallel to each other
- When setting jaws are parallel to the base it may be used as a normal machine vise
- Made of high quality iron castings
- Rotation in „y” axis within 360°
- Can tilt in two directions within 90° around „x” axis and tilt within 90°* from vertical to horizontal position around „z” axis
- Accuracy in every angular position in 3 axes equal to 30'

Application:

- For the grinding of surfaces rotated in one or several planes from the base, spotting and drilling holes in such surfaces and for precise milling at low cutting forces

Standard accessories:

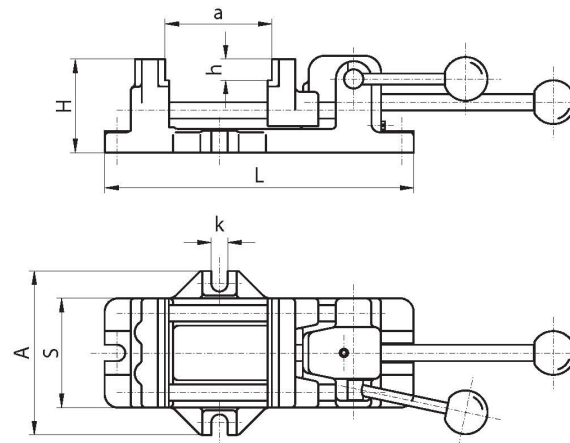
- Handcrank
- Clamping bolts

Accessories see pages 152-162

| Code No. | Type | S | A | B | H | L min. | L max. | a max. | h | k | N H7 | kg |
|--------------|----------|----|-----|-----|-----|--------|--------|--------|----|----|------|------|
| 326534020100 | 6534-80M | 80 | 116 | 235 | 160 | 321,5 | 384,5 | 63 | 25 | 13 | 20 | 12,2 |

Type 6540

QUICK-ACTING MACHINE VISE



Features:

- The initial clamping is done by the movable jaw, placed closely to the workpiece
- Final clamping of the workpiece is performed by the level movement of the quick-acting cam-mechanism, which minimizes the required setting time
- Recessed jaw inserts for convenient leveling of workpiece
- Guiding rods and cam mechanism are hardened and ground, ensuring longer life with maintained accuracy and repeatability
- Removable jaw inserts are hardened and blackened
- Wide clamping range
- Body and movable jaw are high quality castings

Application:

- Designed for milling and drilling operations and instant setting of the workpiece

Accessories see pages 152-162

| Code No. | Type | S | A | H | L | a max. | h | k | Max. clamping force [daN] | kg |
|--------------|----------|-----|-----|----|-----|--------|------|----|---------------------------|------|
| 326540040000 | 6540-80 | 80 | 120 | 68 | 222 | 80 | 16,5 | 12 | 350 | 4,0 |
| 326540050100 | 6540-100 | 100 | 160 | 85 | 293 | 125 | 16,5 | 14 | 400 | 7,0 |
| 326540060300 | 6540-125 | 125 | 185 | 90 | 327 | 150 | 16,5 | 14 | 500 | 10,0 |
| 326540070500 | 6540-160 | 160 | 224 | 95 | 380 | 160 | 16,5 | 18 | 600 | 15,5 |

6534

6540