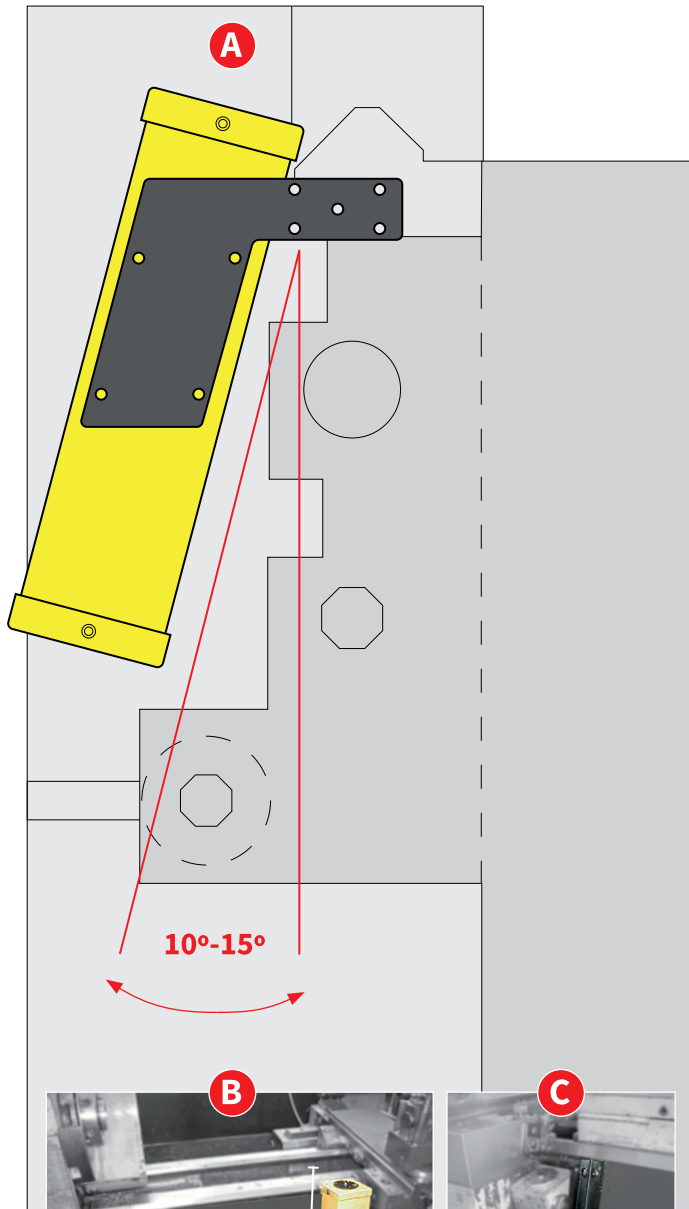


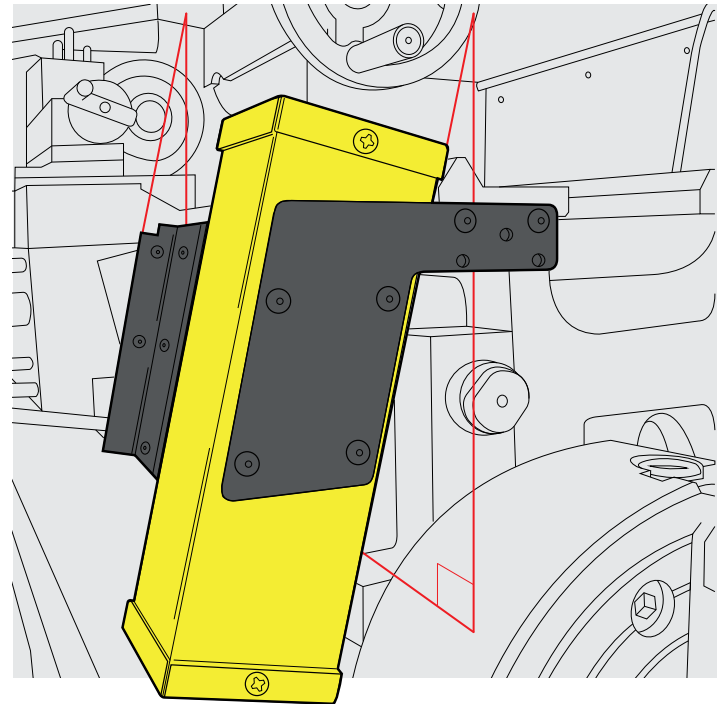
LATHE LEADSCREW COVERS



GENERAL FITTING INSTRUCTIONS

2 Common Brackets are Supplied, however due to the complex design of Lathes, other Brackets may need 'In-House-Manufacture'.

IMPORTANT: THE UNIT MUST BE AT A 10°-15° ANGLE away from the machine and the **TOP OF THE BRACKET MUST BE HORIZONTAL - A**



IT IS CRITICAL that the box is vertical & that the edge of the material is just touching the point at the bottom of the inverted V on the bed and it runs horizontally along the bed at right-angles to the box - **B**

IT IS IMPERATIVE that the bracket allows full movement of any control lever - **C**

Long Beds (3 Blind System) Gear Driven Tail-Stock

Blind 1 - Between Head-Stock and Saddle

Blind 2 - Between Saddle and Tail-Stock

Blind 3 - Between Tail-Stock and End-of-Bed