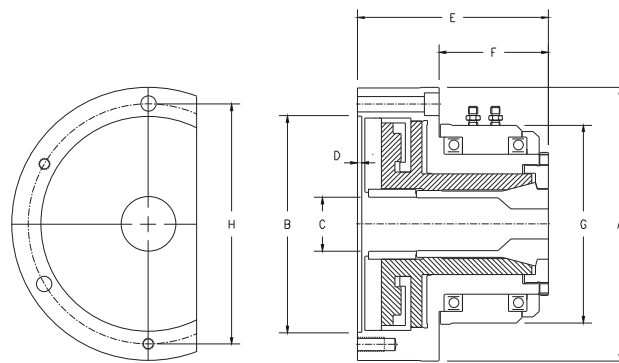
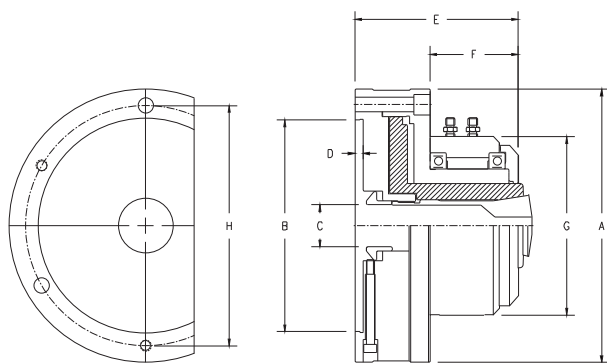


Cylinder-Integrated Collet Chuck

JAP206-5C/JAP207-16C/CHP206-SS42

JAP207-B42/JAP208-B60/JAP210-B80



JAP200 Air Collet Chuck - Dimension/Specification

Model	JAP206-5C	JAP207-16C	JAP207-B42	JAP208-B60	JAP210-B80
A	168 (6.61")	197 (7.76")	196 (7.72")	207 (8.15")	248 (9.76")
B	130 (5.12")	160 (6.30")	155 (6.10")	170 (6.69")	200 (7.87")
C	26 (1.02")	40 (1.57")	42 (1.65")	60 (2.36")	80 (3.15")
D	4.5 (0.18")	4.5 (0.18")	4.5 (0.18")	4.5 (0.18")	5.5 (0.22")
E	100 (3.94")	112 (4.41")	138 (5.43")	148 (5.83")	187 (7.36")
F	55 (2.17")	64 (2.52")	77 (3.03")	86 (3.39")	82 (3.24")
G	110 (4.33")	130 (5.12")	144 (5.67")	168 (6.61")	207 (8.15")
H (P.C.D.)	147 (5.79")	176 (6.93")	172 (6.77")	186 (7.32")	227 (8.94")
Mounting Screws	4H-M8(front-mount)	3H-M10(front-mount) + 3H-M10(rear-mount)	3H-M10(front-mount) + 3H-M10(rear-mount)	3H-M10(front-mount) + 3H-M10(rear-mount)	6H-M10(front-mount)
Working Collet	5C Collet	16C Collet	B42 Collet (DIN6343 173E)	B60 Collet (DIN6343 185E)	B80 Collet (DIN6343 193E)
Max. RPM	3600	2800	2500	2000	1500
Operating Pressure	3-8kg/cm ² (43-114psi)	3-8kg/cm ² (43-114psi)	3-8kg/cm ² (43-114psi)	3-8kg/cm ² (43-114psi)	3-8kg/cm ² (43-114psi)
Max. Capacity	26mm (1.02")	40mm (1.57")	42mm (1.65")	60mm (2.36")	80mm (3.15")
Piston Area	130cm ² (20.2in ²)	155cm ² (24.0in ²)	278cm ² (43.1in ²)	304cm ² (47.2in ²)	427cm ² (66.2in ²)
Clamping Force	3465kgf@7kg/cm ² (7623lbf@100psi)	4078kgf@7kg/cm ² (8971lbf@100psi)	5572kgf@7kg/cm ² (12258lbf@100psi)	6072kgf@7kg/cm ² (13358lbf@100psi)	8440kgf@7kg/cm ² (18568lbf@100psi)
Net Weight	10kgs (22lbs)	14kgs (31lbs)	17kgs (37lbs)	21kgs (46lbs)	32kgs (71lbs)

CHP200 Hydraulic Collet Chuck - Dimension/Specification

Model	CHP206-SS42
A	166 (6.53")
B	130 (5.12")
C	42 (1.65")
D	4.5 (0.18")
E	100 (3.94")
F	52 (2.05")
G	135 (2.32")
H (P.C.D.)	147 (5.79")
Mounting Screws	4H-M8 (front-mount)
Working Collet	SZM SS42 Collet
Max. RPM	150 (intermittent)
Operating Pressure	10-40kg/cm ² (143-572psi)
Max. Capacity	42mm (1.65")
Piston Area	66cm ² (10.2in ²)
Clamping Force	4515kgf@30kg/cm ² (9933lbf@429psi)
Net Weight	T.B.D.