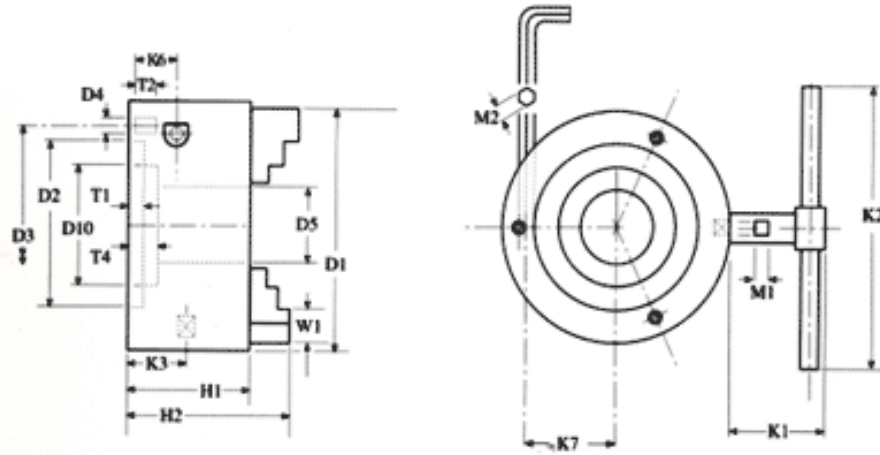


3 & 6 Jaw Griptu Scroll Chucks



Chuck Size mm	Weight 3 jaw kg	Weight 6 jaw kg		∅D1	∅D2	D3	D4	∅D5	∅D10	H1	H2	K1	K2	K3	K6	K7	M1 sq	M2 hex	T1	T2	T4	W1	Order 3 jaw Chucks	Order 6 jaw Chucks
*80	2.0	-		82.5	63.5	71.3	M5x3	19	38.1	54.0	68.0	52	108	25	21	33.3	7	5/32"	3	12	10.6	10.0	9250-00805	-
*100	3.1	-		102.5	76.2	88.9	M6x3	25.4	50.8	56.6	73.7	75	133	26	22	41.0	8	3/16"	3	12	9.4	14.0	9250-01005	-
125	5.4	6.2		125.2	95	107.9	M8x3	35	66.8	69.0	88.0	65	165	32	23	50.7	9	3/16"	4	15	14.9	16.0	9250-01305	9260-01350
160	9.6	11.0		160	125	139.9	M10x3	45.9	88.9	78.6	101.5	75	203	37	24	65.6	10	7/32"	4	20	14.2	18.0	9250-01705	9260-01705
200	16.8	18.9		199.9	160	176	M10x3	54.8	89.9	89.8	119.3	142	267	42	34	84.2	11	9/32"	4	22	18.8	22.0	9250-02005	9260-02005
250	31.7	36.7		250	200	224	M12x3	75.9	119.8	101.3	134.3	147	330	50	45	103.2	12	3/8"	5	25	22	25.0	9250-02505	9260-02505
315	47.4	53.4		310.1	260	286	M12x3	102.8	158.2	110.0	150.0	162	406	50	45	134.2	14	3/8"	5	25	25.1	32.0	9250-03205	9260-03205

*Three jaw chucks only

The jaw gripping range is the same as the super precision range of chucks.