



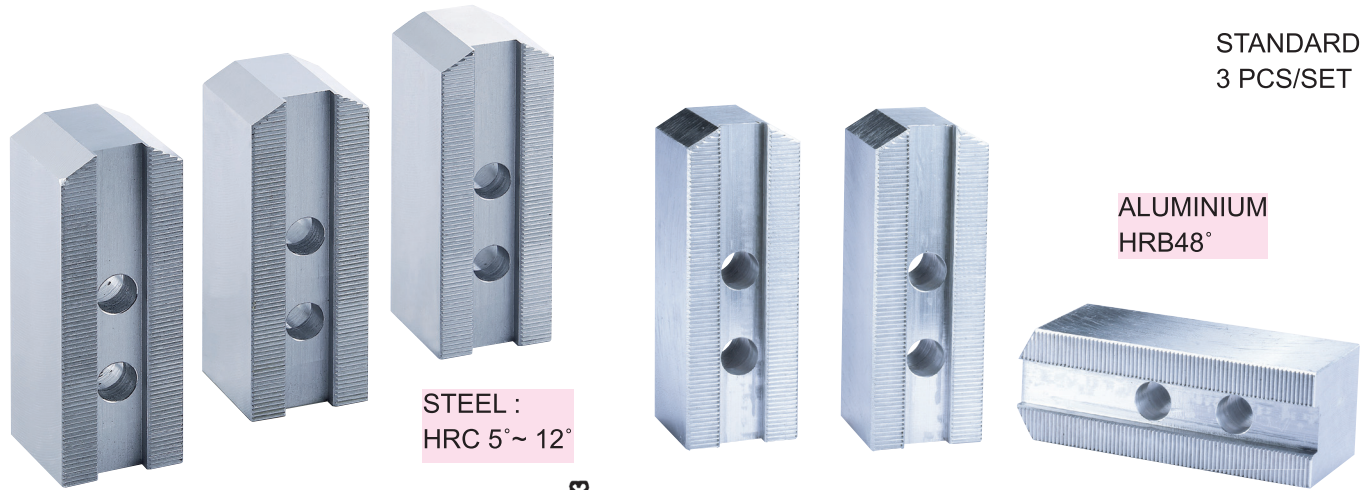
Soft Jaw For Hydraulic Power Chucks



VERTEX®

For Japanese brand JIS & KITAGAWA

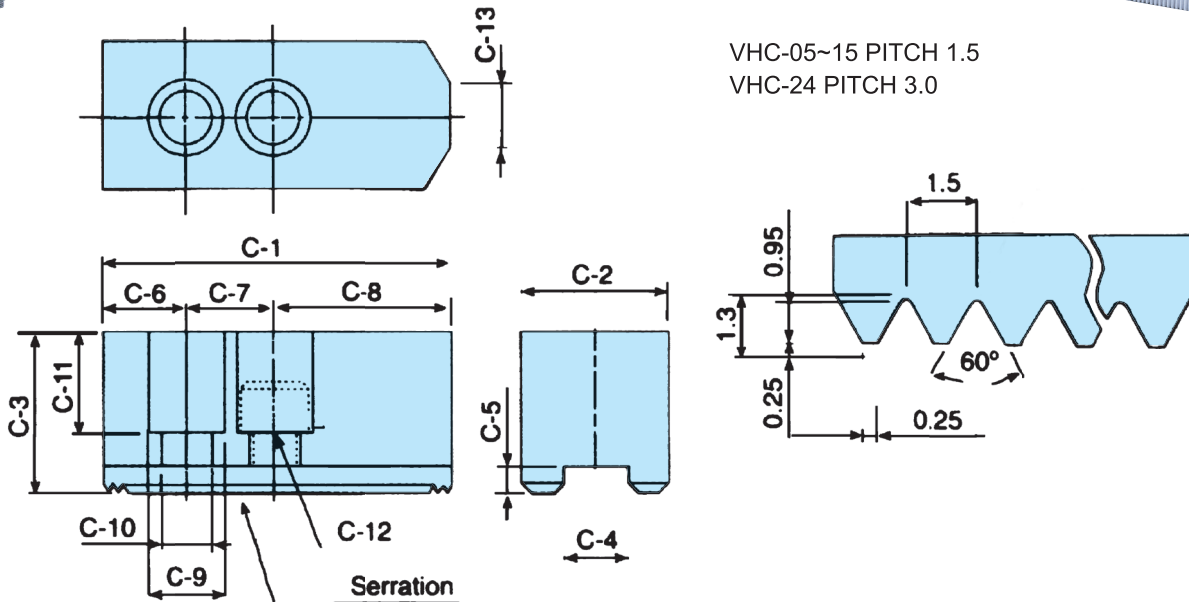
STANDARD
3 PCS/SET



STEEL :
HRC 5° ~ 12°

ALUMINIUM
HRB48°

VHC-05~15 PITCH 1.5
VHC-24 PITCH 3.0



MATERIAL: STEEL

Unit:mm

Dim Order No.	C-1	C-2	C-3	C-4	C-5	C-6	C-7	C-8	C-9	C-10	C-11	C-12	C-13	Weight (kgs)	CODE NO.
VHC-05	62	25	30	10	5	9	14	39	13.5	9	21	M8	5	0.9	5002-330
VHC-06	73	31	36	12	5	15	20	38	17	11	23	M10	14	1.6	5002-331
VHC-08	95	35	37	14	5	24	25	46	19	13	22	M12	16	2.4	5002-332
VHC-10	110	40	42	16	5	30	30	50	19	13	27	M12	18	3.7	5002-333
VHC-12	130	50	50	21	5	39	30	61	25	17	30	M16	23	6.4	5002-334
VHC-15	165	62	62	22	8	37	43	85	32	21	38	M20	-	12.7	5002-335
VHC-12-1	130	50	50	18	5	39	30	61	23	15	30	M14	23	6.25	5002-336
VHC-15-1	165	62	62	25.5	5	37	43	85	32	21	38	M20	-	13	5002-337
VHC-24	180	64	70	25	9	40	60	80	32	21	45	M20	-	17	5002-338

MATERIAL : ALUMINIUM

Dim Order No.	C-1	C-2	C-3	C-4	C-5	C-6	C-7	C-8	C-9	C-10	C-11	C-12	C-13	Weight (kgs)	CODE NO.
VHC-5AL	62	25	30	10	5	10	14	38	14	9	20	M8	3		5002-245A
VHC-6AL	73	31	36	12	5	15	20	38	17	11	23	M10	14		5002-246A
VHC-8AL	95	35	37	14	5	24	25	46	19	13	22	M12	16	0.84	5002-250A
VHC-10AL	110	40	42	16	5	30	30	50	19	13	27	M12	18	1.31	5002-251A
VHC-12AL	130	50	50	21	5	40	30	60	25	17	30	M16	23		5002-247A
VHC-15AL	165	62	62	22	8	37	43	85	32	21	37	M20	-		5002-248A
VHC-24AL	180	64	70	25	9	40	60	80	32	21	45	M20	-		5002-249A



Soft Jaw For Hydraulic Power Chucks



For Japanese brand JIS & KITAGAWA

THE SPECIAL OF HEIGHT (C-3) FOR VHC-TYPE IS AVAILABLE

MATERIAL: STEEL

ORDER NO.	TYPE	HEIGHT	CODE NO.
VHC-05-5	VHC-05	50H	5002-3305
VHC-05-6	VHC-05	60H	5002-3306
VHC-05-7	VHC-05	70H	5002-3307
VHC-05-8	VHC-05	80H	5002-3308
VHC-06-5	VHC-06	50H	5002-3315
VHC-06-6	VHC-06	60H	5002-3316
VHC-06-7	VHC-06	70H	5002-3317
VHC-06-8	VHC-06	80H	5002-3318
VHC-06-9	VHC-06	90H	5002-3319
VHC-06-10	VHC-06	100H	5002-3320
VHC-06-11	VHC-06	110H	5002-3321
VHC-06-12	VHC-06	120H	5002-3322
VHC-06-13	VHC-06	130H	5002-3323
VHC-06-15	VHC-06	150H	5002-3324
VHC-08-5	VHC-08	50H	5002-3325
VHC-08-6	VHC-08	60H	5002-3326
VHC-08-7	VHC-08	70H	5002-3327
VHC-08-8	VHC-08	80H	5002-3328
VHC-08-9	VHC-08	90H	5002-3329
VHC-08-10	VHC-08	100H	5002-3330
VHC-08-11	VHC-08	110H	5002-3331
VHC-08-12	VHC-08	120H	5002-3332
VHC-08-13	VHC-08	130H	5002-3333
VHC-08-14	VHC-08	140H	5002-3334
VHC-08-15	VHC-08	150H	5002-3334A
VHC-08-16	VHC-08	160H	5002-3334B
VHC-08-18	VHC-08	180H	5002-3334C
VHC-08-20	VHC-08	200H	5002-3334D
VHC-10-5	VHC-10	50H	5002-3335
VHC-10-6	VHC-10	60H	5002-3336
VHC-10-7	VHC-10	70H	5002-3337
VHC-10-8	VHC-10	80H	5002-3338
VHC-10-9	VHC-10	90H	5002-3339
VHC-10-10	VHC-10	100H	5002-33310
VHC-10-11	VHC-10	110H	5002-33311

MATERIAL : ALUMINIUM

ORDER NO.	TYPE	HEIGHT	CODE NO.
VHC-05-5-AL	VHC-05AL	50H	5002-2485
VHC-05-6-AL	VHC-05AL	60H	5002-2486
VHC-05-7-AL	VHC-05AL	70H	5002-2487
VHC-05-8-AL	VHC-05AL	80H	5002-2488
VHC-06-5-AL	VHC-06AL	50H	5002-2495
VHC-06-6-AL	VHC-06AL	60H	5002-2496
VHC-06-7-AL	VHC-06AL	70H	5002-2497
VHC-06-8-AL	VHC-06AL	80H	5002-2498
VHC-08-5-AL	VHC-08AL	50H	5002-2505
VHC-08-6-AL	VHC-08AL	60H	5002-2506
VHC-08-7-AL	VHC-08AL	70H	5002-2507
VHC-08-8-AL	VHC-08AL	80H	5002-2508
VHC-10-5-AL	VHC-10AL	50H	5002-2515
VHC-10-6-AL	VHC-10AL	60H	5002-2516
VHC-10-7-AL	VHC-10AL	70H	5002-2517
VHC-10-8-AL	VHC-10AL	80H	5002-2518
VHC-10-9-AL	VHC-10AL	90H	5002-2519
VHC-10-10-AL	VHC-10AL	100H	5002-25110
VHC-12-6A-AL	VHC-12AL 18SLOT	60H	5002-2456A
VHC-12-7A-AL	VHC-12AL 18SLOT	70H	5002-2457A
VHC-12-8A-AL	VHC-12AL 18SLOT	80H	5002-2458A
VHC-12-9A-AL	VHC-12AL 18SLOT	90H	5002-2459A
VHC-12-10A-AL	VHC-12AL 18SLOT	100H	5002-24510A
VHC-12-6-AL	VHC-12AL 21SLOT	60H	5002-2456
VHC-12-7-AL	VHC-12AL 21SLOT	70H	5002-2457
VHC-12-8-AL	VHC-12AL 21SLOT	80H	5002-2458
VHC-12-9-AL	VHC-12AL 21SLOT	90H	5002-2459
VHC-12-10-AL	VHC-12AL 21SLOT	100H	5002-24510
VHC-15-7-AL	VHC-15AL	70H	5002-2467
VHC-15-8-AL	VHC-15AL	80H	5002-2468
VHC-15-9-AL	VHC-15AL	90H	5002-2469
VHC-15-10-AL	VHC-15AL	100H	5002-24610

POWER CHUCK