

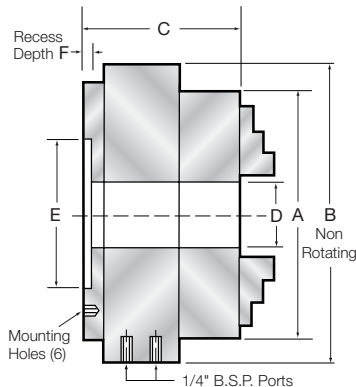
Pratt Burnerd MK3 3 Jaw Self Centring Power Chucks

Turn your manual lathe into a production machine with this easy retrofit self contained power chuck.

- Precision manufactured to fit types A and D spindles and adapter mounting
- Repetitive gripping within 25µm TIR
- Safe, chuck operates independently of air supply when gripping
- No separate actuating cylinder
- No draw tube to restrict bore
- Sizes 160mm to 350mm
- Suitable for chucking or barwork
- Less overhang. Lighter in weight
- Minimum maintenance
- Quick, simple lever or foot pedal operation
- Optional top jaws ref. page 40
- 1/16" x 90° serrated master jaws standard
- Twelve month warranty



Chuck shown with optional hard reversible top jaws.



Dimensions are for adapter mount chucks.

Chuck Size	Adapter Mount Model No.	Type D Spindles		Type A Spindles	
		Spindle Size	3-Jaw Model No.	Spindle Size	3-Jaw Model No.
160	9760-01710	D-3	9762-21710	-	-
		D-4	9762-31710	-	-
		D-5	9762-41710	A-5	9761-31710
		D-6	9762-51710	A-6	-
200	9760-02110	D-4	9762-32110	-	-
		D-5	9762-42110	A-5	9761-32110
		D-6	9762-52110	A-6	9761-42110
250	9760-02610	D-5	9762-42610	-	-
		D-6	9762-52610	A-6	9761-42610
		D-8	9762-62610	A-8	9761-52610
315	9760-03210	D-8	9762-63210	A-8	9761-53210
		D-11	9762-73210	A-11	9761-63210
350	9760-03510	D-8	9762-63510	A-8	9761-53510
		D-11	9762-73510	A-11	9761-63510

Table Mount, "L" Type Mounts and Special Mounts available upon request.

Dimensional and Technical Data

Chuck Size	A	B	C	D	E	F	Mtg Hole	Wt. (kg)	Max rpm*	Jaw Travel	Total grip **
160	240	129	38	125	6	M10	23	3000	4.6	3080	
200	270	131	52	155	6	M10	31	2500	4.6	4550	
250	310	146	65	185	6	M10	45	2000	5	6750	
315	355	147	90	225	6.5	M10	65	1500	5	8210	
380	390	185	142	254	6.5	M12	90	1300	6	8430	

*Max. RPM at 85 PSI with standard hard top jaws. Consult factory for increased RPM rating

** Total grip at max. operating force of 5.9 Bar.

HOW TO ORDER: State quantity, model number of chuck and shipping instructions.